

Flushmounts

With COLOR PREFERENCE® Technology

Available in Low Profile and Four Decorative Styles



Sizes choices up to 16"



ETI ADVANTAGE



LED Lighting - Only from ETI!

COLOR PREFERENCE® technology allows the installer to easily select the preferred CCT from three or more settings!



COLOR PREFERENCE®

13 COLOR PREFERENCE® Models to Choose From!

- Eliminates need to order and stock multiple color temperature models for each design
- Broadest product assortment available with 5 decorative lens designs each with different size options up to 16"

Superior Optical Performance & Electronic Design

- Proprietary light engine eliminates LED "hot spots"
- All models are TRIAC dimmable and 0-10V Dimming ready, step dimming and motion sensor models available
- Durable polycarbonate globe will not yellow over time and is shatterproof

Robust, Durable Construction

- Durable polycarbonate globe is highly impact resistant and will not yellow over time
- Powder coated, heavier gauge mounting housing means long corrosion free life

- ✓ Energy Star approved
- ✓ Suitable for both dry & damp locations
- ✓ 5 Year Warranty , L70 >50,000 Hrs

Flushmounts

With COLOR PREFERENCE® Technology



LOW PROFILE FLUSHMOUNT
w/COLOR PREFERENCE® Technology
12" and 16" models



"CAROUSEL" DECORATIVE FLUSHMOUNT
w/COLOR PREFERENCE® Technology
11" and 15" models



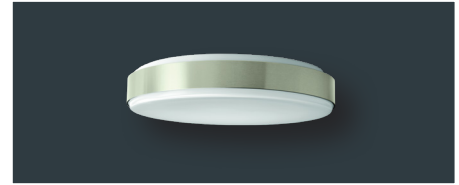
"FALLS" DECORATIVE FLUSHMOUNT
w/COLOR PREFERENCE® Technology
11" Only



"GLACIER" DECORATIVE FLUSHMOUNT
w/COLOR PREFERENCE® Technology
11" and 15" models



"CLIFF" DECORATIVE FLUSHMOUNT
w/COLOR PREFERENCE® Technology
11" and 15" models



15" WITH BLUETOOTH SPEAKER FLUSHMOUNT
w/COLOR PREFERENCE®

PART NUMBER GUIDE

CATEGORY	SIZE	WATTS	CRI/CCT	VOLTAGE	DIMMABILITY	ID	UPGRADE FEATURE
FM							

PRODUCT/SKU DETAILS

GENERAL SPECIFICATIONS:

Voltage	120VAC	Frequency	50/60 Hz.	CRI	90 or 80*
Power Factor	>.90	THD	< 20%	Rating	cULus Damp
Temperature	-4°F to +113°F	Rated Life	50,000 hrs.	Warranty	5 Year Limited

ORDERING GUIDE

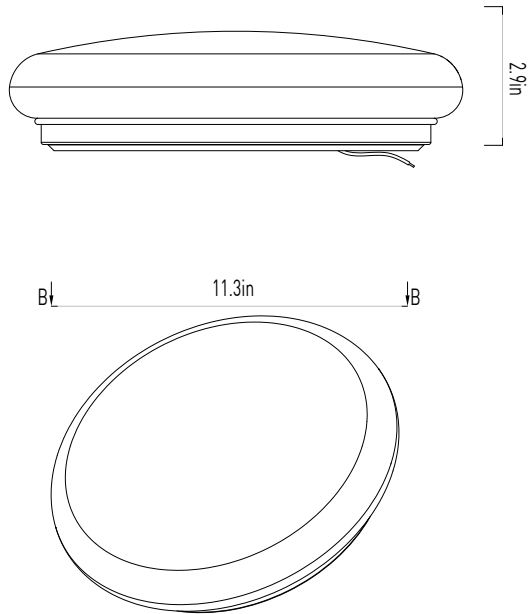
Part #	Model #	Description	LED				CCT	Product Dim.	CRI	Input Voltage	Case Pack
			Replaces	Watts	Lumens	LPW					
FM-12-14-827-MV-N-B	54436201	12" Low Profile, Non-Dimmable	75w	14w	980	70	2700K	11.4 x 11.4 x 2.9 in.	80	120-277V	6
FM-12-14-840-MV-N-B	54436241	12" Low Profile, Non-Dimmable	75w	14w	1,000	71	4000K	11.4 x 11.4 x 2.9 in.	80	120-277V	6
FM-16-22-827-MV-N-B	54437201	16" Low Profile, Non-Dimmable	100w	22w	1,500	68	2700K	15.4 x 15.4 x 2.9 in.	80	120-277V	4
FM-16-22-840-MV-N-B	54437241	16" Low Profile, Non-Dimmable	100w	22w	1,600	73	4000K	15.4 x 15.4 x 2.9 in.	80	120-277V	4
FM-7-11-840-SV-N-O	54663142	7" Low Profile - Non-Dimmable	60w	11.5w	810	70	4000K	7 x 7 x 1.7 in.	80	120V	6
FM-11-14-840-SV-D-C	54643142	11" Brushed Nickel Trim - TRIAC Dimmable	75w	14w	980	70	4000K	11 x 11 x 4.2 in.	80	120V	4
FM-15-22-840-SV-D-C	54620142	15" Brushed Nickel Trim - TRIAC Dimmable	100w	22w	1,550	70	4000K	15.3 x 15.3 x 3.5 in.	80	120V	3
FM-12-14-840-SV-D-E	54074343	12" Reva Stepped Lens - TRIAC Dimmable	75w	14w	1,000	71	4000K	12 x 12 x 3.5 in.	80	120V	4
FM-16-22-840-SV-D-E	54075343	16" Reva Stepped Lens - TRIAC Dimmable	100w	22w	1,640	75	4000K	6 x 16 x 3.7 in.	80	120V	3
FM-24-40-840-SV-D-E	54614242	24" Reva Stepped Lens - TRIAC Dimmable	300w	40w	2,900	73	4000K	24 x 24 x 4.6 in.	80	120V	2

PACKAGING SPECIFICATIONS

Part #	Model #	UPC	UCC	Inner Carton Dimensions	Inner Carton Weight	Shipper/Master Carton Dimensions	Shipper/Master Carton Weight
FM-12-14-827-MV-N-B	54436201	849489001234	50849489001239	12.3 x 3.2 x 12.5 in.	1.6 lbs.	20.5 x 13 x 13.2 in.	11.4 lbs.
FM-12-14-840-MV-N-B	54436241	849489001241	50849489001246	12.3 x 3.2 x 12.5 in.	1.6 lbs.	20.5 x 13 x 13.2 in.	11.4 lbs.
FM-16-22-827-MV-N-B	54437201	849489001258	50849489001253	16.3 x 3.2 x 16.4 in.	2.6 lbs.	16.9 x 13.9 x 17.1 in.	11.9 lbs.
FM-16-22-840-MV-N-B	54437241	849489001265	50849489001260	16.3 x 3.2 x 16.4 in.	2.6 lbs.	16.9 x 13.9 x 17.1 in.	11.9 lbs.
FM-7-11-840-SV-N-O	54663142	849489000626	50849489000621	8.2 x 2.8 x 8.3 in.	1 lbs.	17.8 x 8.6 x 8.9 in.	6.6 lbs.
FM-11-14-840-SV-D-C	54643142	836607009395	50836607009390	12.5 x 4.4 x 12.7 in.	2 lbs.	18.5 x 13.1 x 13.7 in.	9.7 lbs.
FM-15-22-840-SV-D-C	54620142	836607009371	50836607009376	17.3 x 4.4 x 17.4 in.	3.4 lbs.	17.7 x 14.2 x 18.4 in.	11.7 lbs.
FM-12-14-840-SV-D-E	54074343	849489000220	50849489000225	13.5 x 4.5 x 13.7 in.	1.7 lbs.	21.3 x 13 x 14.7 in.	8.9 lbs.
FM-16-22-840-SV-D-E	54075343	849489000237	50849489000232	17.8 x 4.6 x 18.0 in.	2.9 lbs.	18.4 x 14.6 x 18.6 in.	10.8 lbs.
FM-24-40-840-SV-D-E	54614242	849489006642	50849489006647	25.9 x 6.0 x 26.1 in.	7 lbs.	26.5 x 12.8 x 27.2 in.	17.1 lbs.
FM-11-14-802-SV-D-J	54451511	849489001500	50849489001505	16.6 x 4 x 16.6 in.	3 lbs.	17.24 x 16.93 x 17.4 in.	4

DIMENSIONS

MODEL # 54436511-1



MODEL # 54437511-1

