

USE AND CARE GUIDE

LED EMERGENCY LIGHT/EXIT SIGN COMBO



Questions, problems, missing parts?
Call ETiSSL Customer Service
8 a.m. - 5 p.m., CST, Monday - Friday
1-855-ETI-SSLI (1-855-384-7754)



www.ETiSSL.com

THANK YOU

We appreciate the trust and confidence you have placed in ETi through the purchase of this LED light. We strive to continually create quality products designed to enhance your home. Visit us online to see our full line of products available for your home improvement needs.

Thank you for choosing ETi!

Table of Contents

Table of Contents	2	Installation	4
Safety Information	2	Canopy Mounting	4
Warranty	2	Surface Mounting	6
Pre-Installation	3	Testing the Battery Back-Up	7
Planning Installation	3	Adjusting the Light Heads	8
Tools Required	3	Care and Cleaning	8
Package Contents	3	Troubleshooting	8
Hardware Included	3		

Safety Information

WARNING: Carefully read and understand the information given in this manual before beginning the assembly and installation. Failure to do so could lead to electric shock, fire, or other injuries which could be hazardous or even fatal.

WARNING: Ensure the electricity to the wires you are working on is shut off. Either remove the fuse or turn off the circuit breaker.

WARNING: Risk of fire or electric shock. This product must be installed in accordance with the applicable installation code by a person familiar with the construction and operation of the light fixture's/luminaire's electrical system and the hazard involved. If not qualified, do not attempt installation. Contact a qualified electrician.

CAUTION: Disconnect power and unplug the battery before servicing. Installation and servicing should be performed by qualified personnel. Use only Manufacturer supplied replacement parts.

CAUTION: Battery inside product may not be fully charged. After installed and power is turned on, the battery must charge for a minimum of 24 hours before initial testing.

NOTICE: Equipment should be mounted in locations and at heights where it will not be subject to tampering by unauthorized personnel.

NOTICE: Do not use this sign for other than its intended use. Do not use outdoors. Do not mount near gas or electric heaters.

NOTICE: This equipment has been tested and found to comply with the limits for a Class B digital device, pursuant to Part 15 of the FCC Rules. These limits are designed to provide reasonable protection against harmful interference in a residential installation. This equipment generates, uses and can radiate radio frequency energy, and if not installed and used in accordance with the instructions, may cause harmful interference to radio communications. However, there is no guarantee that interference will not occur in a particular installation. If this equipment does cause harmful interference to radio or television reception, which can be determined by turning the equipment off and on, the user is encouraged to try to correct the interference by one or more of the following measures:

- Reorient or relocate the receiving antenna.
- Increase the separation between the equipment and the receiver.
- Connect the equipment into an outlet on a circuit different from that to which the receiver is connected.
- Consult the dealer or an experienced radio/TV technician for help.

WARNING: Changes or modifications not expressly approved by the party responsible for compliance could void the user's authority to operate the equipment.

Warranty

This product is warranted for a period of 5 years from the date of original purchase against defects in materials and workmanship. If this product should fail to operate due to defects in material or workmanship within 60 months of purchase, see www.ETISSL.com for details. This product will be repaired or replaced, at ETI's option. This warranty is expressly limited to repair or replacement of product, and liability for direct, incidental, or consequential damages is hereby expressly excluded. Some states do not allow exclusions of direct, incidental or consequential damages, so the above limitation of exclusion may not apply to you. This warranty gives the consumer specific legal rights, which vary from state to state. **WARRANTY IS VOID IF PRODUCT IS NOT USED FOR THE PURPOSE WHICH THIS PRODUCT IS MANUFACTURED.**

Pre-Installation

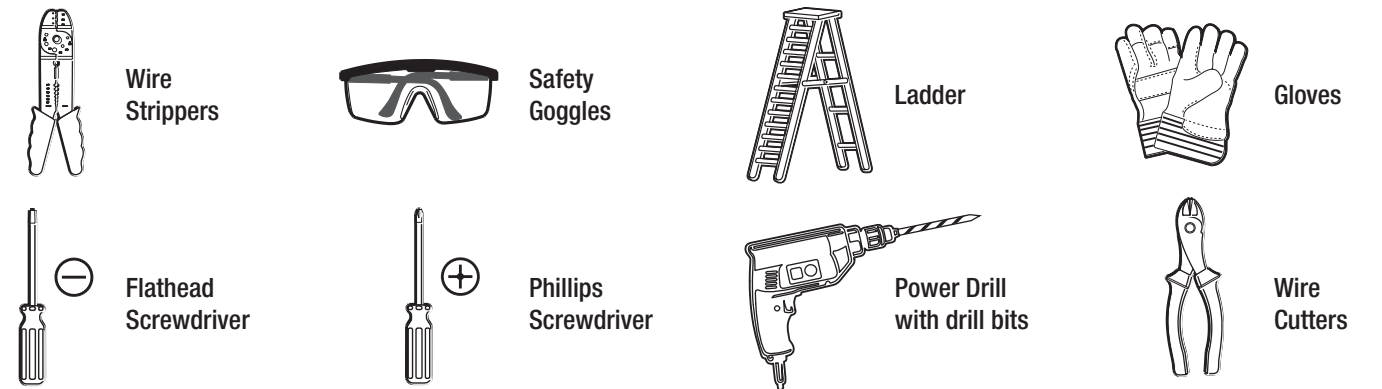
PLANNING INSTALLATION

Before beginning assembly, installation or operation of product, make sure all parts are present. Compare parts with the package contents list. If any part is missing or damaged, do not attempt to assemble, install or operate the product. Contact customer service for replacement parts.

NOTE: Keep your receipt and these instructions for proof of purchase.

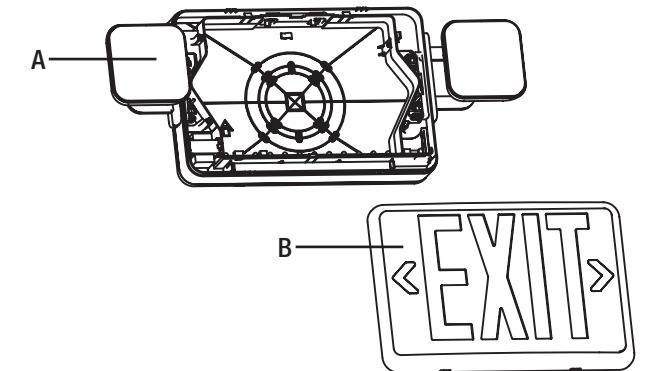
If you are unfamiliar with electrical installations, we recommend you contact a qualified electrician to do the installation.

TOOLS REQUIRED



PACKAGE CONTENTS

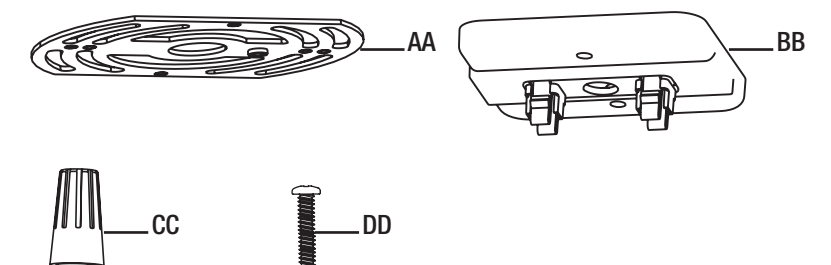
Part	Description	Quantity
A	Exit Sign Housing	1
B	Exit Sign Faceplate	2



HARDWARE INCLUDED

NOTE: Hardware not shown to actual size.

Part	Description	Quantity
AA	Mounting Bracket	1
BB	Mounting Canopy	1
CC	Wire Connector	3
DD	Electrical Box Screw	2



Installation

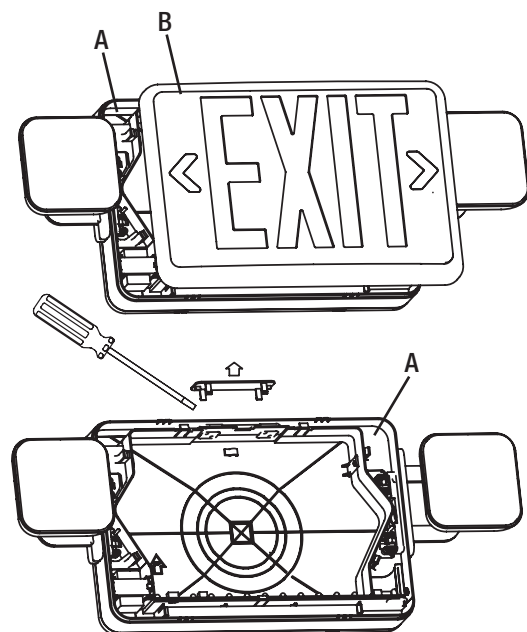
WARNING: RISK OF ELECTRIC SHOCK. Ensure the electricity to the wires you are working on is shut off. Either remove the fuse or turn off the circuit breaker before removing the existing light fixture or installing the new one.

With the power disconnected to the electrical box, remove the existing fixture. Make a sketch of how the current fixture is wired (by wire color) or mark the wires with masking tape and a pencil so you will know how to properly reconnect the wires to the new LED light fixture.

Canopy Mounting

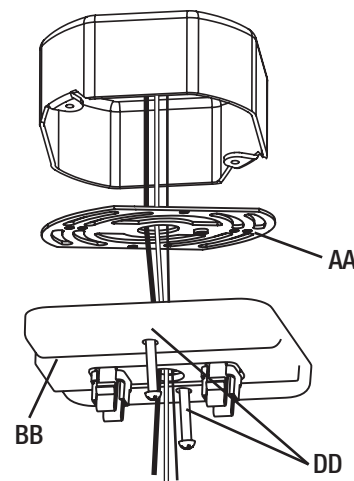
1 Preparing the sign for mounting

- Press in the two sets of tabs at the top and the two sets of tabs at the bottom of the exit sign housing (A) to release the front exit sign faceplate (B).
- Remove the cardboard packing and the hardware packet containing the mounting bracket (AA), mounting canopy (BB), wire connectors (CC), and electrical box screws (DD).
- Gently detach the red or green plastic overlay from the exit sign faceplate (B).
- Pop out one of the directional arrows from the exit sign faceplate (B), based on the mounting location.
- Reattach the red or green plastic overlay to the exit sign faceplate (B).
- Press together the 4 plastic tabs inside the top of the exit sign housing (A) to remove the plastic rectangular piece.



2 Attaching the mounting canopy to the electrical box

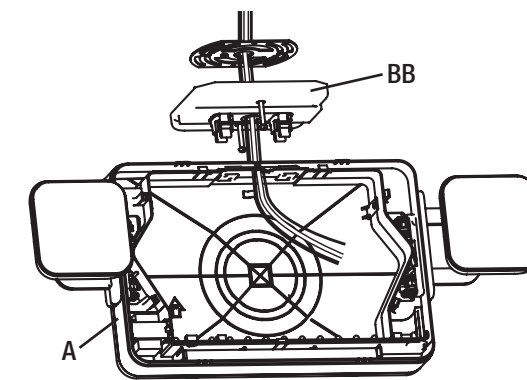
- Feed the wires from the electrical box through the center opening in the mounting bracket (AA) and then through the center hole in the mounting canopy (BB).
- Align the screw holes in the mounting bracket (AA) with the screw holes in the mounting canopy (BB).
- Thread the electrical box screws (DD) through the screw holes in the mounting canopy (BB) and screw holes in the mounting bracket (AA).
- Align the electrical box screws (DD) with the screw holes in the electrical box and tighten to secure the mounting canopy (BB) and mounting bracket (AA) to the electrical box.



Canopy Mounting (continued)

3 Attaching the exit sign housing to the mounting canopy

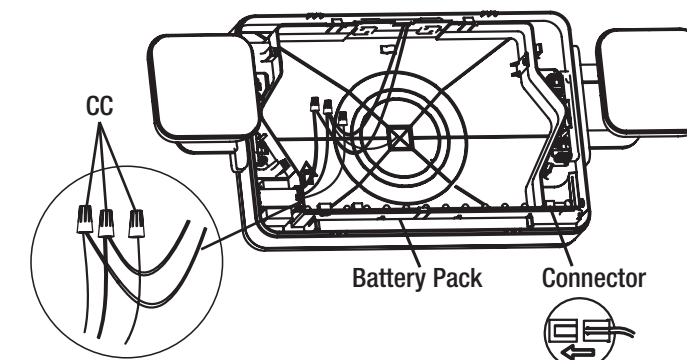
- Feed the wires coming from the mounting canopy (BB) through the opening in the top of the exit sign housing (A).
- Insert the plastic tabs on the mounting canopy (BB) through the two openings in the top of the exit sign housing (A), squeezing gently until they snap firmly into place.



4 Making the electrical connections

If wiring to a 277v AC circuit:

- Connect the red wire from the exit sign housing (A) to the hot wire from the electrical box.
- Connect the white wire from the exit sign housing (A) to the neutral wire from the electrical box.
- Cover the wire connections using the wire connectors (CC).
- Wrap the wire connectors (CC) with electrical tape for a more secure connection.
- Cap the unused black wire from the exit sign housing (A) with a wire connector (CC) and electrical tape.



If wiring to a 120v AC circuit:

- Connect the black wire from the exit sign housing (A) to the hot wire from the electrical box.
- Connect the white wire from the exit sign housing (A) to the neutral wire from the electrical box.
- Cover the wire connections using the wire connectors (CC).
- Wrap the wire connectors (CC) with electrical tape for a more secure connection.
- Cap the unused red wire from the exit sign housing (A) with a wire connector (CC) and electrical tape.

To connect the battery back-up:

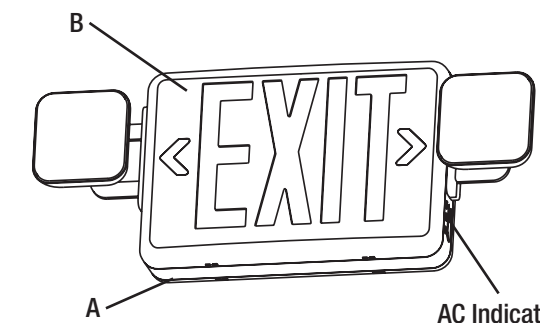
- Plug the connector on the end of the red and black wires coming from blue battery pack into the connector near the end of the PC board mounted in the bottom of the exit sign housing (A).

5 Completing the installation

- Snap the exit sign faceplate (B) back onto the exit sign housing (A).

NOTE: The second exit sign faceplate (B) can replace the back cover of the exit sign housing (A) if the exit sign is mounted in a location where both sides of the sign are visible.

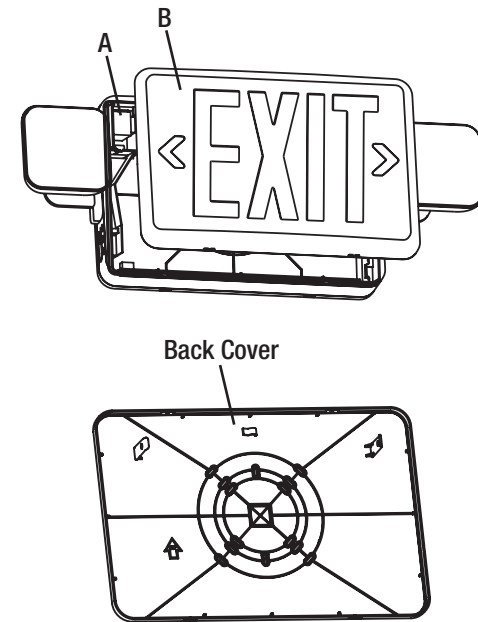
- Restore power at the electrical panel. The red AC Indicator on the bottom of the exit sign housing (A) should illuminate red.



Surface Mounting

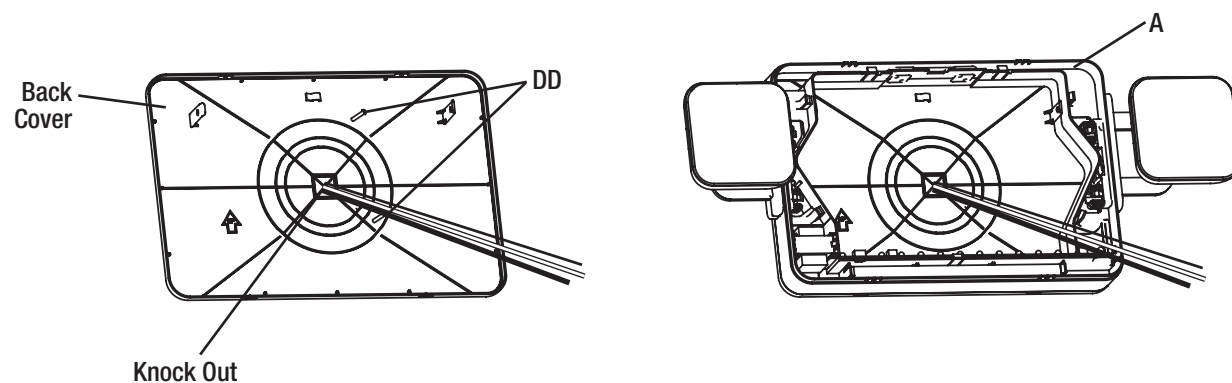
1 Preparing the sign for mounting

- Press in the two sets of tabs at the top and the two sets of tabs at the bottom of the exit sign housing (A) to release the front exit sign faceplate (B).
- Remove the cardboard packing and the hardware packet containing the mounting bracket (AA), mounting canopy (BB), wire connectors (CC), and electrical box screws (DD).
- Gently detach the red or green plastic overlay from the exit sign faceplate (B).
- Pop out one of the directional arrows from the exit sign faceplate (B), based on the mounting location.
- Reattach the red or green plastic overlay to the exit sign faceplate (B).
- Press in the two sets of tabs at the top and the two sets of tabs at the bottom of the exit sign housing (A) to release the back cover.
- Align the back cover mounting template with the electrical box to determine which knockouts to remove for mounting.
- Drill out the required knockouts with a power drill.



2 Mounting the exit sign housing to the electrical box

- Feed the wires from the electrical box through the knock out in the back cover of the exit sign housing (A).
- Align the openings in the back cover of the exit sign housing (A) with the screw holes in the electrical box.
- Insert the electrical screws (DD) through the openings in the back of the exit sign housing (A) and into the screw holes in the electrical box.
- Tighten the electrical box screws (DD) to secure the back cover of the exit sign housing (A) to the electrical box.
- Reattach the exit sign housing (A) to the back cover.

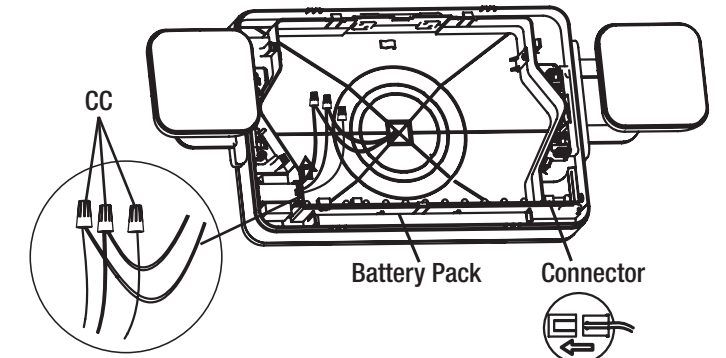


Surface Mounting (continued)

3 Making the electrical connections

If wiring to a 277v AC circuit:

- Connect the red wire from the exit sign housing (A) to the hot wire from the electrical box.
- Connect the white wire from the exit sign housing (A) to the neutral wire from the electrical box.
- Cover the wire connections using the wire connectors (CC).
- Wrap the wire connectors (CC) with electrical tape for a more secure connection.
- Cap the unused black wire from the exit sign housing (A) with a wire connector (CC) and electrical tape.



If wiring to a 120v AC circuit:

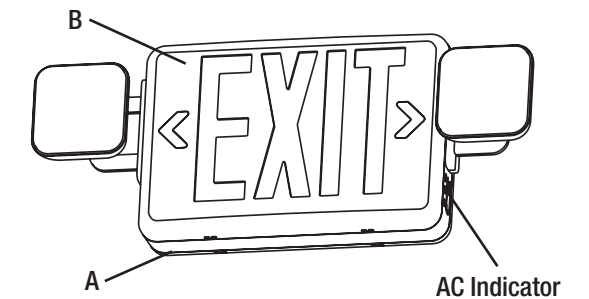
- Connect the black wire from the exit sign housing (A) to the hot wire from the electrical box.
- Connect the white wire from the exit sign housing (A) to the neutral wire from the electrical box.
- Cover the wire connections using the wire connectors (CC).
- Wrap the wire connectors (CC) with electrical tape for a more secure connection.
- Cap the unused red wire from the exit sign housing (A) with a wire connector (CC) and electrical tape.

To connect the battery back-up:

- Plug the connector on the end of the red and black wires coming from blue battery pack into the connector near the end of the PC board mounted in the bottom of the exit sign housing (A).

4 Completing the installation

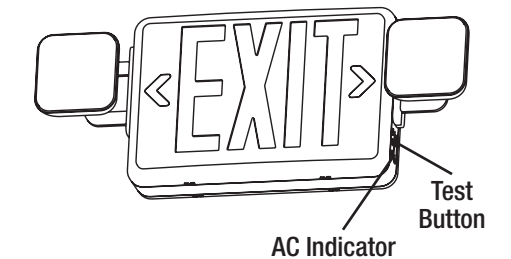
- Snap the exit sign faceplate (B) back onto the exit sign housing (A).
- Restore power at the electrical panel. The red AC Indicator on the bottom of the exit sign housing (A) should illuminate red.



Testing the Battery Back-up

- Push the test button on the side of the exit sign housing (A) after charging the battery for 24 hours.
- The red AC indicator on the side of the exit sign housing (A) should turn off.
- When the test button is released, the red AC indicator on the side of the exit sign housing (A) should illuminate again.

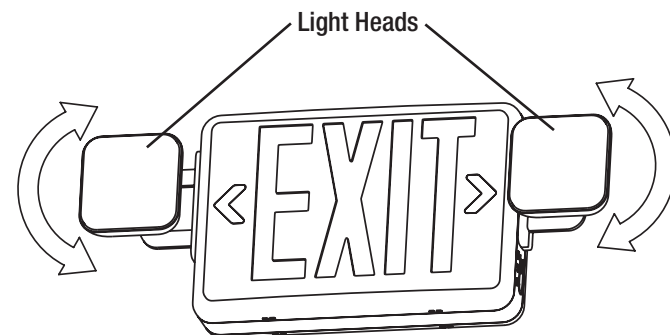
NOTICE: The battery supplied with the exit sign requires no maintenance. However, NEC and NFPA code regulations require that routine tests be performed. Once every month, the battery back-up needs to be tested by holding in the test switch for the duration of 30 seconds. Once every 12 months, a full 90 minute test (per UL requirements) needs to be performed by disconnecting power to the sign and leaving it in emergency mode. The LEDs should remain on for a minimum of 90 minutes.



NOTE: The battery supplied in this exit sign has a life expectancy of 5 years when used in a normal ambient temperature of 72°F.

Adjusting the light heads

- Move each light head into the desired position with your hand, as needed.



Care and Cleaning



CAUTION: Before attempting to clean the fixture, disconnect the power to the fixture by turning the breaker off or removing the fuse from the fuse box.

- Clean the fixture with a soft, dry cloth.
- Do not use cleaners with chemicals, solvents, or harsh abrasives.
- Do not use liquid cleaner on the LEDs, LED driver, or wiring inside the light fixture.

Troubleshooting



WARNING: Before doing any work on the fixture, disconnect power to the light fixture.

Minor problems often can be fixed without the help of an electrician.

Problem	Possible Cause	Solution
The fixture will not light.	The power is off.	Ensure the power supply is on.
	The circuit breaker is off.	Ensure the circuit breaker is in the on position.
	There is a bad connection.	Check to ensure proper wire connections are made. Contact a qualified electrician.
	There is a defective switch.	Contact a qualified electrician.
The fuse blows or the circuit breaker trips when the light is turned on.	The wires are crossed or the power wire is grounding out.	Check the wire connections. Contact a qualified electrician or call customer service 1-855-384-7754.

ETI SOLID STATE
LIGHTING
INC.

N° de commande 55502101
55502102
55502201
N° de pièce EM-ELC-R
EM-ELC-G
EM-ELC-R-RC
N° de certification 55502101
55502102
55502201

GUIDE D'UTILISATION ET D'ENTRETIEN

ÉCLAIRAGE DE SÉCURITÉ / SORTIE À DEL



Questions, difficultés, pièces manquantes?
Téléphonez au service à la clientèle de ETiSSL
8 h - 17 h, HNC, du lundi au vendredi.

1-855-ETI-SSL (1-855-384-7754)

www.ETiSSL.com



MERCI

Nous apprécions la confiance que vous avez accordé à la ETi Solid State Lighting, Inc. en achetant ce luminaire à DEL. Nous nous efforçons continuellement de créer des produits de qualité conçus pour améliorer votre foyer. Consultez notre gamme complète de produits en ligne pour satisfaire vos besoins en produits d'amélioration du foyer. Nous vous remercions d'avoir choisi ETi!

Table des matières

Table des matières	10	Installation	12
Consignes de sécurité	10	Montage sous pavillon	12
Garantie	10	Montage en surface	14
Avant l'installation	11	Test de la pile de secours	15
Planification de l'installation	11	Ajustement des lampes	16
Outils requis	11	Entretien et nettoyage	16
Contenu de l'emballage	11	Dépannage	16
Quincaillerie incluse	11		

Consignes de sécurité



AVERTISSEMENT: Lisez et comprenez bien les renseignements fournis dans ce manuel avant de procéder à l'assemblage et à l'installation. Un manque à le faire pourrait mener à un risque de choc électrique, d'incendie ou de blessures qui pourraient être graves, voire même mortelles.



AVERTISSEMENT: Assurez-vous de couper le courant au circuit sur lequel vous travaillerez. Enlevez le fusible ou coupez le disjoncteur.



AVERTISSEMENT: Risque d'incendie ou de choc électrique. Cette trousse de modernisation à DEL doit être installée par une personne qui connaît bien la conception et le fonctionnement du système électrique du luminaire ainsi que les risques qui y sont associés. Si vous n'êtes pas qualifié, ne procédez pas à l'installation. Faites appel à un électricien qualifié.



MISE EN GARDE : Coupez le courant et enlevez la pile avant de faire un service. L'installation et l'entretien devraient être effectués par une personne qualifiée. N'utilisez que les pièces de rechange fournies par le fabricant.



MISE EN GARDE : La pile dans le produit pourrait ne pas être complètement chargée. Après l'installation et la mise sous tension, la pile doit se charger pendant au moins 24 heures avant de faire le test initial.

AVIS : Le luminaire devrait être installé à un endroit et à une hauteur où il ne risque pas d'être altéré par une personne non autorisée.

AVIS : N'utilisez pas cette enseigne à une fin autre que celle prévue. Ne l'utilisez pas à l'extérieur. Ne l'installez pas près de chaufferettes au gaz ou électriques.

AVIS: Ce dispositif a été testé et se trouve en deça des limites pour un dispositif numérique de Classe B aux termes de la section 15B des règlements de la FCC. Ces limites servent à offrir une protection raisonnable contre une interférence nocive dans une installation résidentielle. Ce dispositif génère, utilise et peut irradier une énergie de fréquence radio; s'il n'est pas installé et utilisé conformément aux directives, il peut causer une interférence nocive aux communications radio. Il n'est toutefois pas garanti qu'aucune interférence ne surviendra dans une installation particulière. Si le dispositif cause une interférence nuisible à la réception radio ou télé, ce qui peut être établi en éteignant et rallumant le dispositif, on conseille à l'utilisateur de tenter de remédier à la situation en utilisant une ou plusieurs de ces procédures:

- Réorienter ou déplacer l'antenne réceptrice.
- Augmenter la distance entre le dispositif et le poste récepteur.
- Brancher l'équipement dans une prise de courant sur un circuit autre que celui sur lequel le récepteur est branché.
- Demander conseil auprès du marchand ou d'un technicien en radio/télé.



AVERTISSEMENT: Tout changement ou toute modification non expressément approuvée par la partie responsable de la conformité peut rendre nulle l'autorisation de l'utilisateur d'utiliser l'équipement.

Garantie

Ce produit est garanti contre les vices de matière et de fabrication pour une période de cinq (5) ans à compter de la date d'achat originale. Si le produit ne fonctionne pas à cause d'un vice de matière ou de fabrication dans les 60 mois suivant son achat, consultez www.etissl.com pour de plus amples renseignements. Le produit sera réparé ou remplacé, à la discrétion d'ETi. Cette garantie est expressément limitée à la réparation ou au remplacement du produit et toute responsabilité quant aux dommages directs, indirects ou fortuits est expressément exclue. Certaines provinces ne permettent pas l'exclusion des dommages directs, indirects ou fortuits et la restriction ci-haut peut ne pas s'appliquer dans votre cas. Cette garantie accordée au consommateur des droits particuliers qui peuvent varier d'une province à l'autre. LA GARANTIE EST NULLE ET SANS EFFET SI LE PRODUIT EST UTILISÉ À DES FINS AUTRES QUE CELLES PRÉVUES POUR LE PRODUIT.

Avant l'installation

PLANIFICATION DE L'INSTALLATION

Avant de commencer à assembler ou à installer l'article, assurez-vous d'avoir toutes les pièces. Comparez le contenu de l'emballage avec la nomenclature. S'il y a des pièces manquantes ou endommagées, ne tentez pas d'assembler, d'installer, ni d'utiliser l'article. Communiquez avec le service à la clientèle pour obtenir des pièces de rechange.



REMARQUE: Gardez votre facture ainsi que ces instructions comme preuves d'achat.

Si vous n'êtes pas familier avec les installations électriques, nous vous recommandons de faire faire l'installation par un électricien qualifié.

OUTILS REQUIS



Pince à dénuder



Lunettes de sécurité



Escabeau



Gants



Tournevis à lame plate



Tournevis à pointe cruciforme



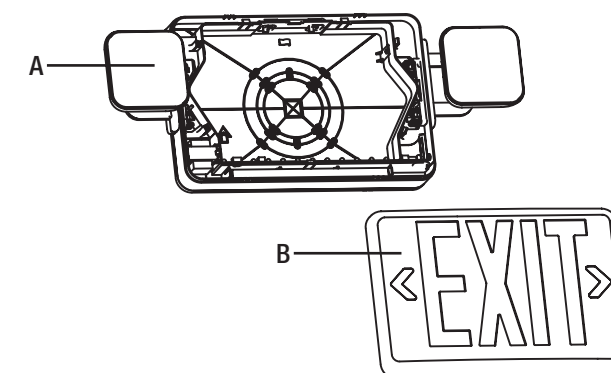
Perceuse électrique et mèches



Coupe-fil

CONTENU DE L'EMBALLAGE

Pièce	Désignation	Quantité
A	Boîtier de l'enseigne	1
B	Plaque frontale de l'enseigne	2

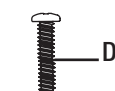
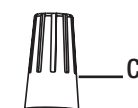
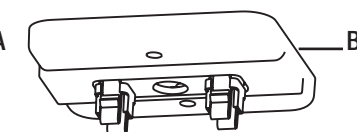


QUINCAILLERIE INCLUSE



NOTE : La quincaillerie n'est pas illustrée à sa grandeur réelle.

Pièce	Désignation	Quantité
AA	Support de montage	1
BB	Pavillon de montage	1
CC	Serre-fils	3
DD	Vis de boîte électrique	2



Installation



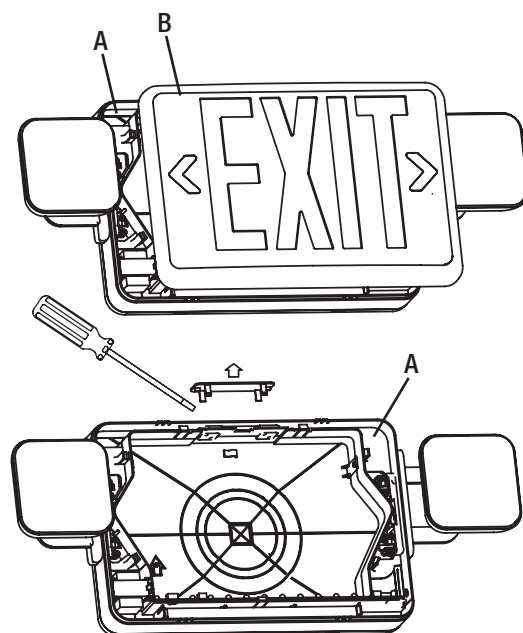
AVERTISSEMENT : RISQUE DE CHOC ÉLECTRIQUE. Assurez-vous que le courant est coupé aux fils sur lesquels vous travaillez. Retirez le fusible ou coupez le disjoncteur avant d'enlever le luminaire existant ou d'installer le nouveau.

Une fois le courant coupé à la boîte électrique, enlevez le luminaire existant. Tracez un schéma du câblage du luminaire existant (par couleur de fil) ou marquez les fils avec un ruban-cache et un crayon pour savoir comment reconnecter les fils correctement au nouveau luminaire à DEL.

Montage sous pavillon

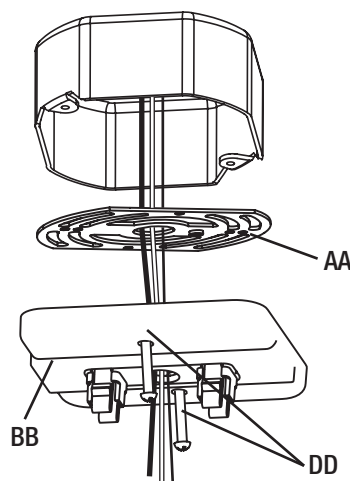
1 Préparation au montage

- Appuyez sur les deux paires de pattes du haut et les deux paires de pattes du bas du boîtier de l'enseigne (A) pour retirer la plaque frontale.
- Enlevez l'endos en carton et le sachet de quincaillerie contenant le support de montage (AA), le pavillon de montage (BB), les serre-fils (CC) et les vis de boîte électrique (DD).
- Séparez délicatement les calques en plastique rouge et vert de la plaque frontale (B).
- Faites sauter une des flèches directionnelles de la plaque frontale (B) en fonction du lieu d'installation.
- Remettez le calque en plastique rouge ou vert sur la plaque frontale (B).
- Appuyez sur les 4 pattes en plastique intérieures dans le haut du boîtier de l'enseigne (A) pour enlever la pièce rectangulaire en plastique.



2 Pose du pavillon sur la boîte électrique

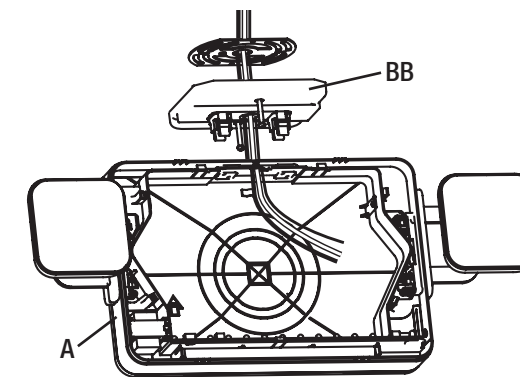
- Passez les fils de la boîte électrique à travers l'ouverture centrale du support de montage (AA) puis à travers l'orifice central du pavillon (BB).
- Alignez les trous de vis du support de montage (AA) avec les trous de vis du pavillon (BB).
- Vissez les vis de boîte électrique (DD) dans les trous de vis du pavillon (BB) et les trous de vis du support de montage (AA).
- Alignez les vis de la boîte électrique (DD) avec les trous de vis de la boîte électrique et vissez-les solidement pour fixer le pavillon (BB) et le support de montage (AA) à la boîte électrique.



Montage sous pavillon (suite)

3 Pose du boîtier de l'enseigne sur le pavillon

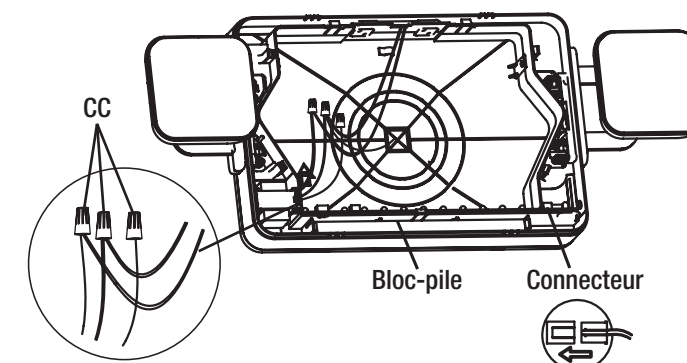
- Passez les fils du pavillon (BB) à travers l'ouverture dans le haut du boîtier de l'enseigne (A).
- Introduisez les pattes en plastique du pavillon (BB) dans les deux ouvertures dans le haut du boîtier de l'enseigne (A), les pressant légèrement jusqu'à ce qu'elles s'enclenchent solidement en place.



4 Connexions électriques

Connexion à un circuit 277 VCA :

- Connectez le fil rouge du boîtier de l'enseigne (A) au fil de tension de la boîte électrique.
- Connectez le fil blanc du boîtier de l'enseigne (A) au fil neutre de la boîte électrique.
- Recouvrez les connexions avec des serre-fils (CC).
- Enveloppez les serre-fils (CC) avec un ruban isolant pour consolider les connexions.
- Capuchonnez le fil noir inutilisé du boîtier de l'enseigne (A) avec un serre-fil (CC) et un ruban isolant.



Connexion à un circuit 120 VCA :

- Connectez le fil noir du boîtier de l'enseigne (A) au fil de tension de la boîte électrique.
- Connectez le fil blanc du boîtier de l'enseigne (A) au fil neutre de la boîte électrique.
- Recouvrez les connexions avec des serre-fils (CC).
- Enveloppez les serre-fils (CC) avec un ruban isolant pour consolider les connexions.
- Capuchonnez le fil rouge inutilisé du boîtier de l'enseigne (A) avec un serre-fil (CC) et un ruban isolant.

Connexion de la pile de secours :

- Branchez le connecteur à l'extrémité des fils rouge et noir de la pile bleue dans le connecteur près de l'extrémité de la plaquette de CI dans le fond du boîtier de l'enseigne (A).

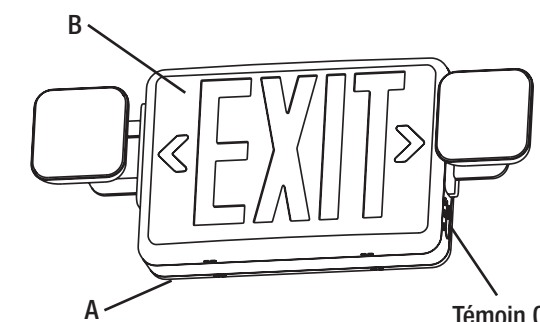
5 Finalisation de l'installation

- Enclenchez la plaque frontale de l'enseigne (B) sur le boîtier de l'enseigne (A).



NOTE : La deuxième plaque frontale (B) de l'enseigne peut remplacer le couvercle arrière du boîtier de l'enseigne (A) si l'enseigne est installée là où les deux faces sont visibles.

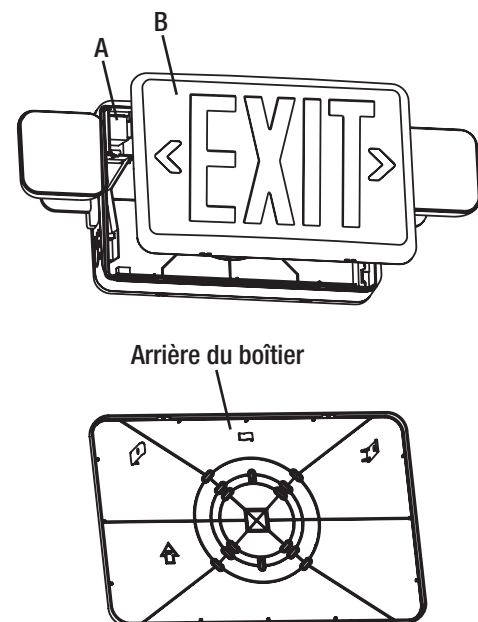
- Remettez le circuit sous tension. Le témoin AC rouge sur le fond du boîtier de l'enseigne (A) devrait s'allumer rouge.



Montage en surface

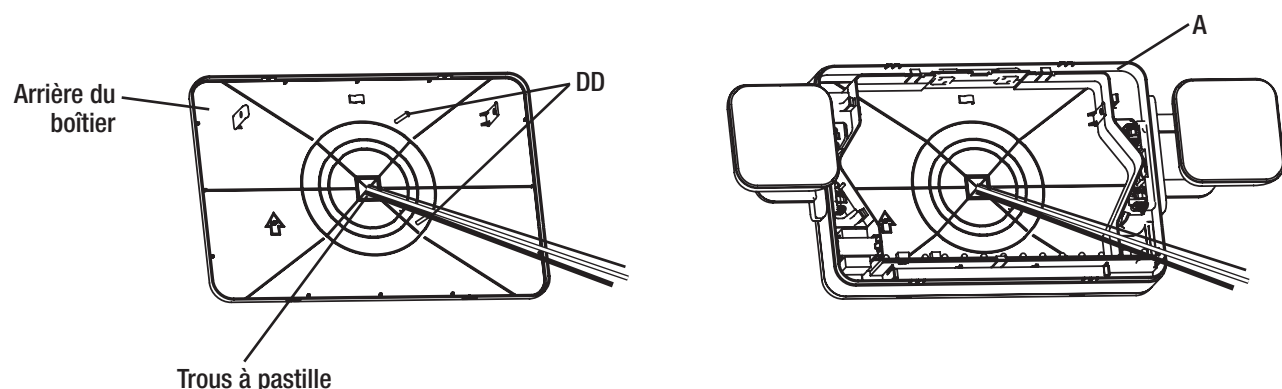
1 Préparation au montage

- Appuyez sur les deux paires de pattes du haut et les deux paires de pattes du bas du boîtier de l'enseigne (A) pour retirer la plaque frontale.
- Enlevez l'endos en carton et le sachet de quincaillerie contenant le support de montage (AA), le pavillon de montage (BB), les serre-fils (CC) et les vis de boîte électrique (DD).
- Séparez délicatement les calques en plastique rouge et vert de la plaque frontale (B).
- Faites sauter une des flèches directionnelles de la plaque frontale (B) en fonction du lieu d'installation.
- Remettez le calque en plastique rouge ou vert sur la plaque frontale (B).
- Appuyez sur les deux paires de pattes du haut et les deux paires de pattes du bas du boîtier de l'enseigne (A) pour retirer le couvercle arrière.
- Alignez le gabarit du couvercle arrière avec la boîte électrique pour déterminer quelles pastilles faire sauter pour l'installation.
- Défoncez les pastilles requises à l'aide d'une perceuse électrique.



2 Pose de l'enseigne sur la boîte électrique

- Passez les fils de la boîte électrique à travers la pastique du couvercle arrière du boîtier de l'enseigne (A).
- Alignez les ouvertures dans le couvercle arrière du boîtier de l'enseigne (A).
- Passez les vis de boîte électrique (DD) dans les ouvertures dans le dos du boîtier de l'enseigne (A) puis dans les trous de vis de la boîte électrique.
- Serrez les vis de la boîte électrique (DD) pour fixer le couvercle arrière de l'enseigne (A) à la boîte électrique.
- Réenclenchez le boîtier de l'enseigne (A) sur le couvercle arrière.

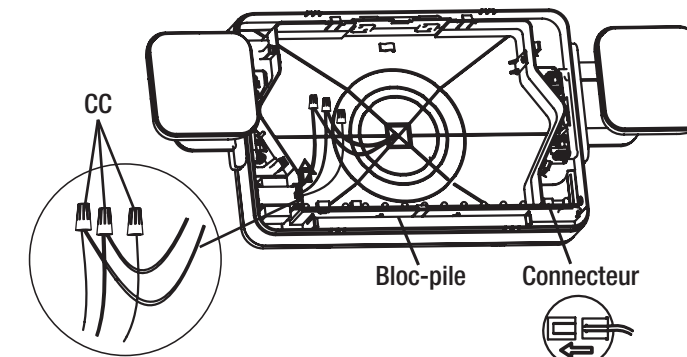


Montage en surface (suite)

3 Connexions électriques

Connexion à un circuit 277 VCA :

- Connectez le fil rouge du boîtier de l'enseigne (A) au fil de tension de la boîte électrique.
- Connectez le fil blanc du boîtier de l'enseigne (A) au fil neutre de la boîte électrique.
- Recouvrez les connexions avec des serre-fils (CC).
- Enveloppez les serre-fils (CC) avec un ruban isolant pour consolider les connexions.
- Capuchonnez le fil noir inutilisé du boîtier de l'enseigne (A) avec un serre-fil (CC) et un ruban isolant.



Connexion à un circuit 120 VCA :

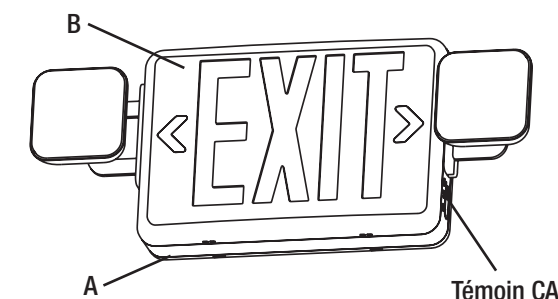
- Connectez le fil noir du boîtier de l'enseigne (A) au fil de tension de la boîte électrique.
- Connectez le fil blanc du boîtier de l'enseigne (A) au fil neutre de la boîte électrique.
- Recouvrez les connexions avec des serre-fils (CC).
- Enveloppez les serre-fils (CC) avec un ruban isolant pour consolider les connexions.
- Capuchonnez le fil rouge inutilisé du boîtier de l'enseigne (A) avec un serre-fil (CC) et un ruban isolant.

Connexion de la pile de secours :

- Branchez le connecteur à l'extrémité des fils rouge et noir de la pile bleue dans le connecteur près de l'extrémité de la plaquette de CI dans le fond du boîtier de l'enseigne (A).

4 Finalisation de l'installation

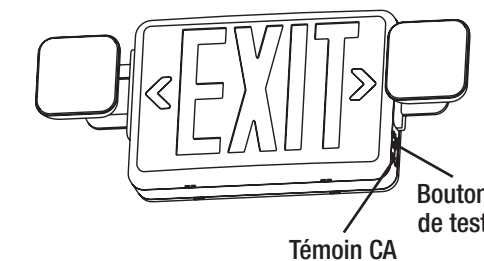
- Enclenchez la plaque frontale de l'enseigne (B) sur le boîtier de l'enseigne (A).
- Remettez le circuit sous tension. Le témoin CA rouge sur le fond du boîtier de l'enseigne (A) devrait s'allumer rouge.



Test de la pile de secours

- Appuyez sur le bouton de test sur le côté de l'enseigne de sortie (A) une fois la pile chargée pendant 24 heures.
- Le témoin CA rouge sur le côté du boîtier de l'enseigne (A) devrait s'éteindre.
- Le témoin CA rouge sur le côté du boîtier de l'enseigne (A) devrait se rallumer une fois que vous relâchez le bouton de test.

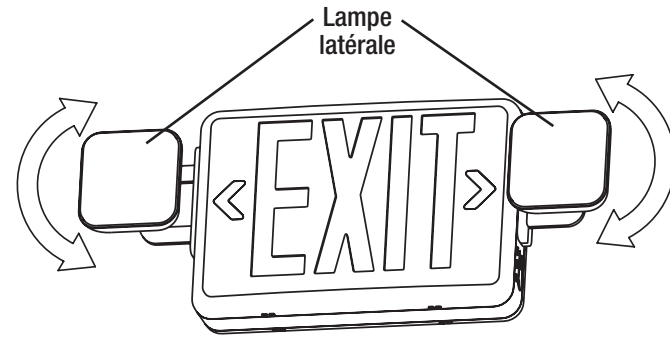
AVIS : La pile fournie avec l'enseigne de sortie ne requiert aucun entretien. Toutefois, les règlements du code NEC et NFPA demandent que des tests soient effectués régulièrement. La pile de secours doit être testée une fois par mois en tenant le bouton d'essai enfoncé pendant 30 secondes. Tous les 12 mois, un test complet de 90 minutes (conformément aux UL) doit être effectué en coupant le courant à l'enseigne et en la laissant en mode d'urgence. Les DEL devraient rester allumées pendant au moins 90 minutes.



NOTE : La pile fournie avec l'enseigne de sortie a une vie utile prévue de 5 ans en usage à température normale de la pièce de 22°C (72°F).

Ajustement des lampes

- Orientez à la main chaque lampe dans la direction voulue.



Entretien et nettoyage



MISE EN GARDE : Avant le nettoyage, coupez l'alimentation du luminaire en plaçant le disjoncteur en position hors tension ou en enlevant le fusible de la boîte à fusibles.

- Nettoyez le luminaire à l'aide d'un linge doux et sec.
- N'utilisez pas de nettoyeurs contenant des produits chimiques, des solvants ou des produits abrasifs forts.
- N'utilisez pas de nettoyeur liquide sur la DEL, le pilote de la DEL, ou le câblage se trouvant à l'intérieur du luminaire.

Dépannage



AVERTISSEMENT: Avant de manipuler le luminaire, coupez son alimentation électrique.

Les problèmes mineurs peuvent souvent être réglés sans l'aide d'un électricien.

Problème	Cause Possible	Mesure Corrective
Le luminaire ne s'allume pas.	Le luminaire est hors tension.	Vérifiez l'alimentation électrique.
	Le disjoncteur est en position d'arrêt.	Assurez-vous que le disjoncteur est à la position « ON ».
	Les fils sont mal branchés.	Assurez-vous que les fils sont bien branchés. Faites appel à un électricien qualifié.
	Un interrupteur est défectueux.	Faites appel à un électricien qualifié.
Le fusible saute ou le disjoncteur se déclenche lorsque le luminaire est mis sous tension.	Les fils sont croisés ou un fil d'alimentation est mis à la terre.	Assurez-vous que les fils sont bien branchés. Faites appel à un électricien qualifié ou téléphonez au service à la clientèle de ETi 1-855-384-7754.

GUÍA DE USO Y CUIDADO

LÁMPARA DE EMERGENCIA / SALIDA LED



¿Preguntas, problemas, piezas faltantes?
Llame al Centro de Atención al Cliente de ETi en el horario de
8 a.m. - 5 p.m., HSC, de lunes a viernes.

1-855-ETI-SSL (1-855-384-7754)

www.ETiSSL.com



GRACIAS

Apreciamos la confianza que ha puesto en ETi a través de la compra de esta luz LED. Nos esforzamos continuamente para crear productos de calidad diseñados para mejorar su hogar. Visítenos en línea para ver nuestra gama completa de productos disponibles para sus necesidades de mejoras del hogar. ¡Muchas gracias por elegir a ETi!

Contenido

Contenido	18	Instalación	20
Información sobre seguridad	18	Montaje sobre una montura	20
Garantía	18	Montaje en superficie	22
Previo a la instalación	19	Prueba de la batería de respaldo	23
Planificación de la instalación	19	Ajuste de las cabezas de luz	24
Herramientas necesarias	19	Cuidado y limpieza	24
Contenido del paquete	19	Solución de problemas	24
Materiales incluidos	19		

Información sobre seguridad



ADVERTENCIA: Lea cuidadosamente y comprenda la información incluida en este manual antes de comenzar el armado e instalación. No hacerlo puede provocar descarga eléctrica, incendio, u otras lesiones que pueden ser graves o mortales.



ADVERTENCIA: Asegúrese de cortar el suministro eléctrico en los cables con los que trabajará. Extraiga los fusibles o apague el cortacircuitos.



ADVERTENCIA: Riesgo de incendio o descarga eléctrica. La instalación de este conjunto de renovación LED debe ser realizada por una persona familiarizada con la construcción y operación del sistema eléctrico de la lámpara / luminaria y de los posibles riesgos. Si no está calificado, no intente la instalación. Póngase en contacto con un electricista calificado.



PRECAUCIÓN: Desconecte la alimentación y desenchufe la batería antes de dar servicio. La instalación y el mantenimiento deben ser realizados por personal calificado. Use solo repuestos suministrados por el fabricante.



PRECAUCIÓN: La batería dentro del producto puede no estar completamente cargada. Después de instalarlo y encenderlo, la batería debe cargarse durante un mínimo de 24 horas antes de la prueba inicial.

AVISO: Este equipo ha sido sometido a prueba y se halló que cumple con los límites establecidos para la clase B de dispositivos digitales, conforme a la Parte 15 de las Normas de FCC.

Estos límites se establecen para brindar protección razonable contra interferencia dañina en una instalación residencial. Este equipo genera, utiliza y puede irradiar energía de frecuencias de radio y, si no se instala conforme a las instrucciones, puede provocar interferencia dañina a las comunicaciones de radio.

A pesar de esto, no existe garantía de que la interferencia no se produzca en una instalación en particular. Si este equipo produce interferencia dañina a la recepción de radio o televisión, lo que puede determinarse encendiendo y apagando el equipo, se insta al usuario a intentar corregir la interferencia mediante uno de los siguientes métodos:

- Cambie la orientación o ubicación de la antena receptora.
- Aumente la separación entre el equipo y el receptor.
- Conecte el equipo en un enchufe que esté en un circuito diferente al cual está conectado el receptor.
- Consulte con el representante o con un técnico experimentado en radio y televisión para solicitar asistencia.



ADVERTENCIA: Los cambios o modificaciones que no estén expresamente aprobados por la parte responsable del cumplimiento anulan la autoridad del usuario de operar el equipo.

Garantía

Este producto está garantizado por un periodo de 5 años desde la fecha de original compra contra defectos en el material y mano de obra. Si este producto no funcionara bien debido a defectos en el material o mano de obra dentro de los 60 meses desde su adquisición, visite www.ETISSL.com para obtener detalles. Este producto se reparará o sustituirá a discreción de ETi. Esta garantía está expresamente limitada a la reparación o sustitución del producto y la responsabilidad por daños directos, incidentales o remotos queda por la presente, expresamente excluida. Algunos estados no permiten la exclusión de daños directos, incidentales o remotos, por lo tanto la limitación de exclusión expresada arriba puede no aplicarse en su caso. Esta garantía le otorga al cliente derechos legales específicos, que pueden variar en los distintos estados. LA GARANTÍA QUEDARÁ ANULADA SI EL PRODUCTO NO SE UTILIZA PARA EL PROPÓSITO PARA EL CUAL FUE FABRICADO.

Previo a la instalación

PLANIFICACIÓN DE LA INSTALACIÓN

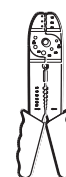
Antes de comenzar el armado, la instalación o antes de operar el producto, asegúrese de que tiene todas las piezas. Compare las piezas con la lista de contenido. Si falta alguna pieza o si está dañada, no comience a armar, instalar ni operar el producto. Comuníquese con el servicio al cliente para el reemplazo de las piezas.



NOTA: Guardar el recibo de compra y estas instrucciones como prueba de compra.

Si no está familiarizado con las instalaciones eléctricas, le recomendamos que haga que un electricista calificado se ocupe de la instalación.

HERRAMIENTAS NECESARIAS



Alicates pelacables



Gafas de seguridad



Escalera



Guantes



Destornillador de cabeza plana



Destornillador de estrella



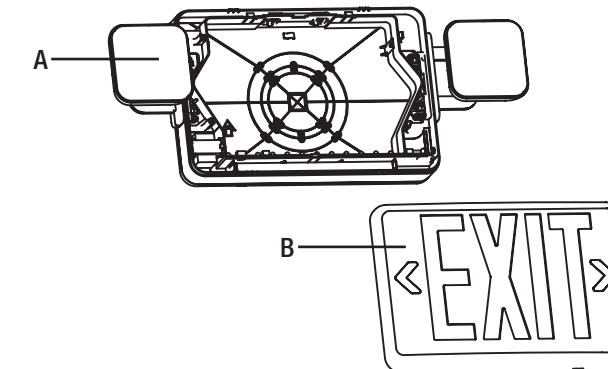
Taladro eléctrico con brocas



Alicates cortacables

CONTENIDO DEL PAQUETE

Pieza	Descripción	Cantidad
A	Caja de la señal de salida	1
B	Placa frontal de señal de salida	2

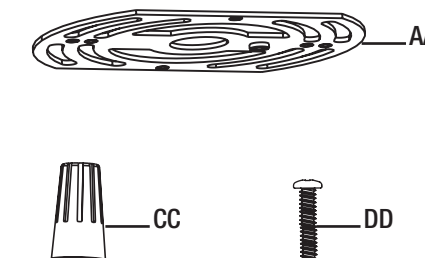


MATERIALES INCLUIDOS



NOTA: Los materiales no se ilustran en tamaño real.

Pieza	Descripción	Cantidad
AA	Soporte de montaje	1
BB	Montura de montaje	1
CC	Conector de cables	3
DD	Tornillo de caja eléctrica	2



Instalación



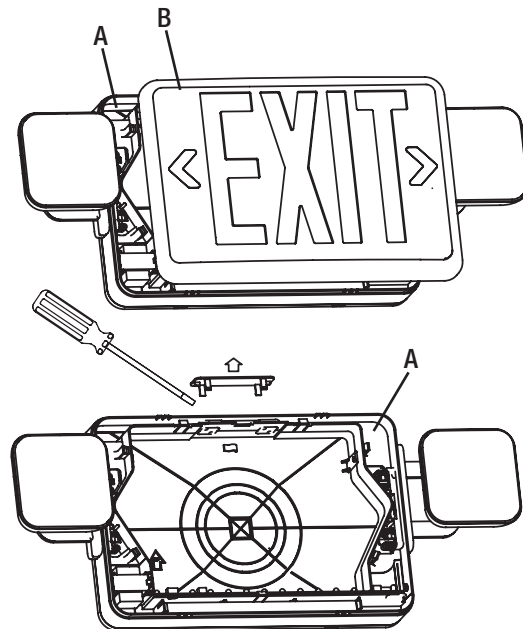
ADVERTENCIA: RIESGO DE DESCARGA ELÉCTRICA. Asegúrese de que la energía eléctrica a los cables que está trabajando se apagará. Elimine el fusible o apague el interruptor de circuito antes de quitar la lámpara existente o instalar la nueva.

Una vez que se desconecta la energía de la caja eléctrica, retire la lámpara existente. Haga un boceto de cómo está cableado la lámpara actual (por color del cable) o marque los cables con cinta adhesiva y un lápiz para que sepa cómo reconectar correctamente los cables a la nueva lámpara LED.

Montaje sobre una montura

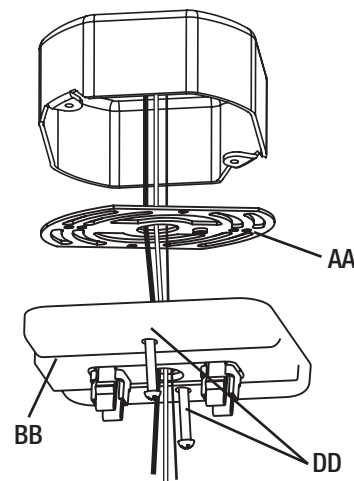
1 Preparación de la señal para el montaje

- Presione los dos juegos de pestañas en la parte superior y los dos juegos de pestañas en la parte inferior de la caja de la señal de salida (A) para liberar la placa frontal de la señal de salida (B).
- Retire el embalaje de cartón y el paquete de materiales que contiene el soporte de montaje (AA), la cubierta de montaje (BB), los conectores de cable (CC) y los tornillos de caja eléctrica (DD).
- Retire con cuidado la capa de plástico roja o verde de la placa frontal de la señal de salida (B).
- Separe una de las flechas direccionales de la placa frontal de la señal de salida (B), según la ubicación de montaje.
- Vuelva a colocar la capa de plástico roja o verde en la placa frontal de la señal de salida (B).
- Presione las 4 pestañas de plástico dentro de la parte superior de la caja de la señal de salida (A) para quitar la pieza plástica rectangular.



2 Colocación de la cubierta de montaje en la caja eléctrica

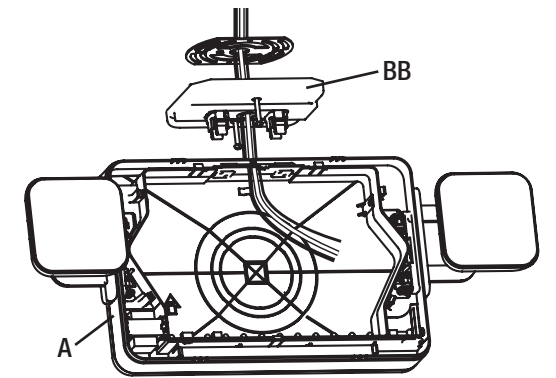
- Pase los cables de la caja eléctrica a través de la abertura central en el soporte de montaje (AA) y luego a través del orificio central en la montura de montaje (BB).
- Alinee los orificios de tornillos en el soporte de montaje (AA) con los orificios de los tornillos en la montura de montaje (BB).
- Enrosque los tornillos de la caja eléctrica (DD) a través de los orificios de tornillos en la montura de montaje (BB) y atornille los agujeros en el soporte de montaje (AA).
- Alinee los tornillos de la caja eléctrica (DD) con los orificios de tornillos en la caja eléctrica y apriételos para asegurar la montura de montaje (BB) y el soporte de montaje (AA) a la caja eléctrica.



Montaje sobre una montura (continuación)

3 Colocación de la caja de la señal de salida en la montura de montaje

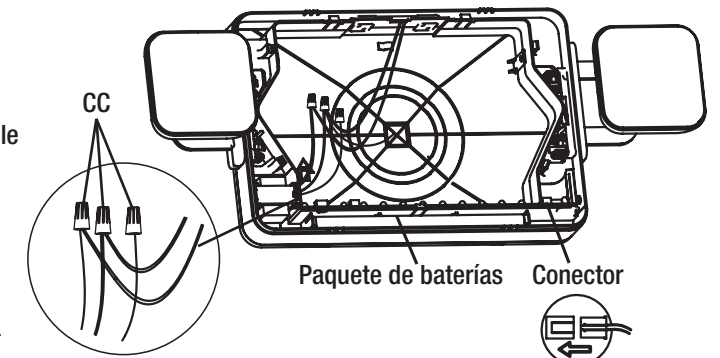
- Pase los cables de la montura de montaje (BB) a través del orificio en la caja de la señal de salida (A).
- Coloque el extremo grande de la abertura superior o lateral en caja de la señal de salida (A) sobre la montura de montaje (BB).
- Inserte las pestañas de plástico en la montura de montaje (BB) a través de las dos aberturas en la parte superior de la caja de la señal de salida (A), apretándolas suavemente hasta que encajen firmemente en su lugar.



4 Conexiones eléctricas

Circuito de 277 vCA:

- Conecte el cable rojo de la caja de la señal de salida (A) al cable vivo de la caja eléctrica.
- Conecte el cable blanco de la caja de la señal de salida (A) al cable neutro de la caja eléctrica.
- Cubra las conexiones de cables usando los conectores de cables (CC).
- Envuelva los conectores de cables (CC) con cinta aislante para una conexión más segura.
- Tape el cable negro no utilizado de la caja de la señal de salida (A) con un conector de cable (CC) y cinta aislante.



Circuito de 120 vCA:

- Conecte el cable negro de la caja de la señal de salida (A) al cable vivo de la caja eléctrica.
- Conecte el cable blanco de la caja de la señal de salida (A) al cable neutro de la caja eléctrica.
- Cubra las conexiones de cables usando los conectores de cables (CC).
- Envuelva los conectores de cables (CC) con cinta aislante para una conexión más segura.
- Tape el cable rojo no utilizado de la caja de la señal de salida (A) con un conector de cable (CC) y cinta aislante.

Batería de respaldo:

- Conecte el conector en el extremo de los cables rojo y negro provenientes de la batería azul en el conector cerca del extremo de la placa de PC montado en la parte inferior de la señal de salida (A).

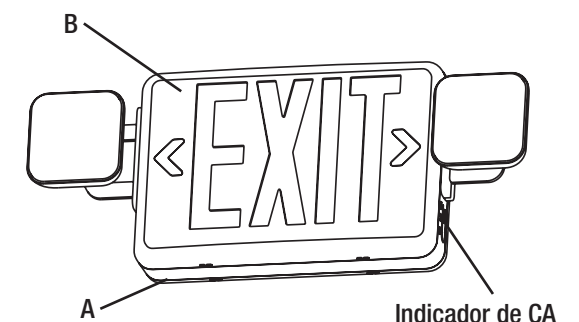
5 Finalización de la instalación

- Coloque de nuevo la placa frontal de la señal de salida (B) en la caja de la señal de salida (A).



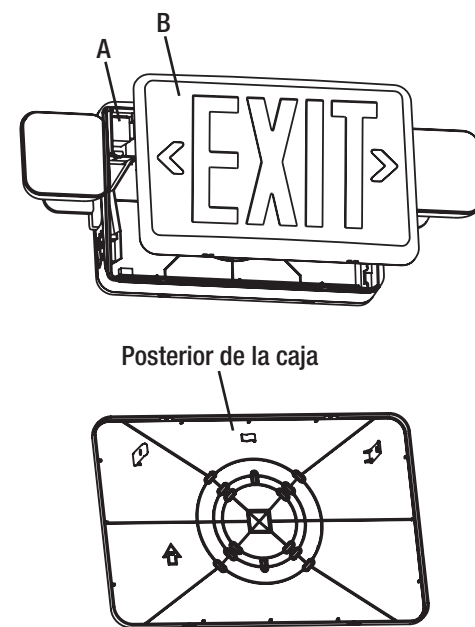
NOTA: La segunda placa frontal de la señal de salida (B) puede reemplazar la cubierta posterior de la caja de la señal de salida (A) si la señal de salida está montada en una ubicación donde ambos lados de la señal son visibles.

- Restaure la energía en el panel eléctrico. El indicador rojo de CA en la parte inferior de la caja de la señal de salida (A) debe iluminarse en rojo.



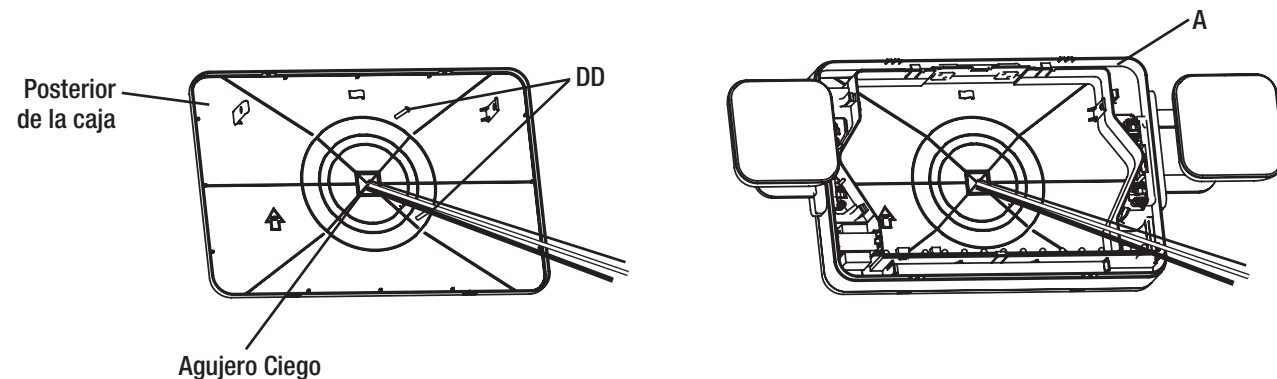
1 Preparación de la señal para el montaje

- Presione los dos juegos de pestañas en la parte superior y los dos juegos de pestañas en la parte inferior de la caja de la señal de salida (A) para liberar la placa frontal de la señal de salida (B).
- Retire el embalaje de cartón y el paquete de materiales que contiene el soporte de montaje (AA), la cubierta de montaje (BB), los conectores de cable (CC) y los tornillos de caja eléctrica (DD).
- Retire con cuidado la capa de plástico roja o verde de la placa frontal de la señal de salida (B).
- Separe una de las flechas direccionales de la placa frontal de la señal de salida (B), según la ubicación de montaje.
- Vuelva a colocar la capa de plástico roja o verde en la placa posterior de la señal de salida (B).
- Presione los dos juegos de pestañas en la parte superior y los dos juegos de pestañas en la parte inferior de la caja de la señal de salida (A) para liberar la placa posterior.
- Alinee la plantilla de montaje de la placa posterior con la caja eléctrica para determinar qué agujeros ciegos quitar para el montaje.
- Perfore los agujeros ciegos necesarios con un taladro eléctrico.



2 Colocación de la caja de la señal de salida en la caja eléctrica

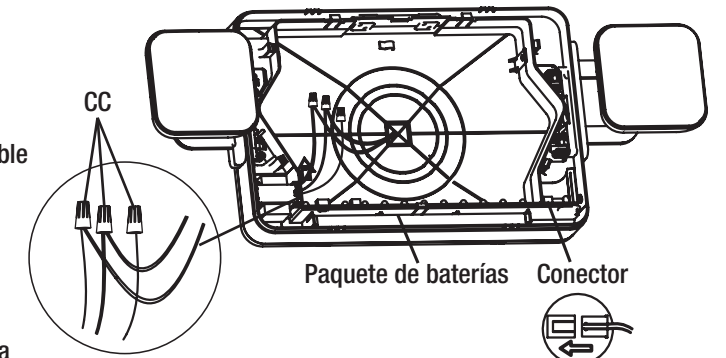
- Pase los cables de la caja eléctrica a través del agujero ciego central en el cubierto posterior de la caja de la señal de salida (A).
- Alinee las aberturas en la placa posterior de la caja de la señal de salida (A) con los orificios de los tornillos en la caja eléctrica.
- Inserte los tornillos de caja eléctrica (DD) a través de las aberturas en la parte posterior de la caja de la señal de salida (A) y en los orificios de los tornillos en la caja eléctrica.
- Apriete los tornillos de la caja eléctrica (DD) para asegurar la cubierta posterior de la caja de la señal de salida (A) a la caja eléctrica.
- Vuelva a colocar la caja de la señal de salida (A) en la cubierta posterior.



3 Conexiones eléctricas

Circuito de 277 vCA:

- Conecte el cable rojo de la caja de la señal de salida (A) al cable vivo de la caja eléctrica.
- Conecte el cable blanco de la caja de la señal de salida (A) al cable neutro de la caja eléctrica.
- Cubra las conexiones de cables usando los conectores de cables (CC).
- Envuelva los conectores de cables (CC) con cinta aislante para una conexión más segura.
- Tape el cable negro no utilizado de la caja de la señal de salida (A) con un conector de cable (CC) y cinta aislante.



Circuito de 120 vCA:

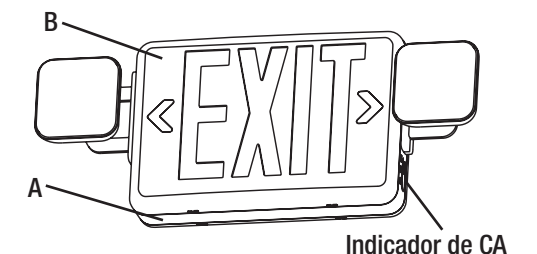
- Conecte el cable negro de la caja de la señal de salida (A) al cable vivo de la caja eléctrica.
- Conecte el cable blanco de la caja de la señal de salida (A) al cable neutro de la caja eléctrica.
- Cubra las conexiones de cables usando los conectores de cables (CC).
- Envuelva los conectores de cables (CC) con cinta aislante para una conexión más segura.
- Tape el cable rojo no utilizado de la caja de la señal de salida (A) con un conector de cable (CC) y cinta aislante.

Batería de respaldo:

- Conecte el conector en el extremo de los cables rojo y negro provenientes de la batería azul en el conector cerca del extremo de la placa de PC montado en la parte inferior de la señal de salida (A).

4 Finalización de la instalación

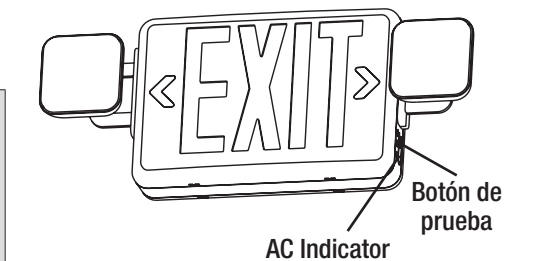
- Coloque de nuevo la placa frontal de la señal de salida (B) en la caja de la señal de salida (A).
- Restaure la energía en el panel eléctrico. El indicador rojo de CA en la parte inferior de la caja de la señal de salida (A) debe iluminarse en rojo.



Prueba de la batería de respaldo

- Presione el botón de prueba en el lado de la caja de la señal de salida (A) después de cargar la batería durante 24 horas.
- El indicador rojo de CA en el lado de la caja de la señal de salida (A) debe apagarse.
- Cuando se suelta el botón de prueba, el indicador rojo de CA en el lado de la caja de la señal de salida (A) se debe volver a iluminar.

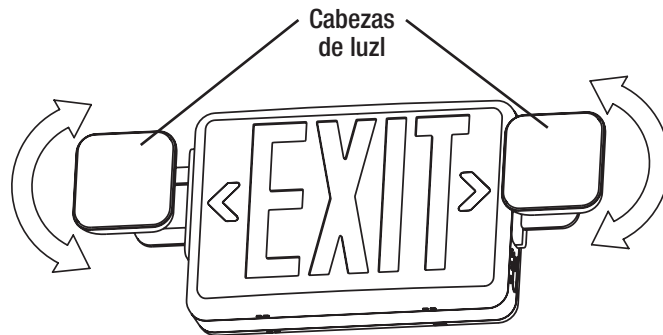
AVISO: La batería suministrada con la señal de salida no requiere mantenimiento. Sin embargo, las regulaciones del código NEC y NFPA requieren que se realicen pruebas de rutina. Una vez al mes, la batería de respaldo debe probarse presionando en el interruptor de prueba durante 30 segundos. Una vez cada 12 meses, se debe realizar una prueba de 90 minutos (según los requisitos de UL) desconectando la energía de la señal y dejándolo en modo de emergencia. Los LED deben permanecer encendidos durante un mínimo de 90 minutos.



NOTA: La batería suministrada en esta señal de salida tiene una vida útil de 5 años cuando se usa a una temperatura ambiente normal de 72° F.

Ajuste de las cabezas de luz

- Mueva cada cabeza de luz lateral manualmente a la posición deseada, según sea necesario.



Cuidado y limpieza



PRECAUCIÓN: Antes de limpiar el aparato, desconecte el suministro eléctrico hacia este apagando el cortacircuitos o extrayendo el fusible de la caja de fusibles.

- Limpie la lámpara con un paño suave y seco.
- No utilice limpiadores con productos químicos, solventes o abrasivos.
- No use limpiador líquido en las bombillas LED, en la unidad LED ni en los cables que están dentro de la lámpara.

Solución de problemas



ADVERTENCIA: Antes de realizar cualquier trabajo en el dispositivo, desconecte la electricidad que lo alimenta.

Los problemas menores pueden arreglarse sin ayuda de un electricista.

Problema	Causa posible	Medida correctiva
La lámpara no enciende.	El suministro eléctrico está cortado.	Asegúrese de que el suministro eléctrico esté activado.
	El interruptor está apagado.	Asegúrese de que el interruptor esté en la posición de encendido.
	Hay una mala conexión.	Asegúrese de que se hayan conectado los cables de forma correcta. Comuníquese con un electricista calificado.
	Hay un interruptor defectuoso.	Comuníquese con un electricista calificado.
El fusible se quema o salta el interruptor cuando se enciende la lámpara.	Los cables están cruzados o el cable de suministro eléctrico no está puesto a tierra.	Verifique las conexiones de los cables. Comuníquese con un electricista calificado o llame al Centro de Atención al Cliente de 1-855-384-7754.