

DATE:	PROJECT:
TYPE:	NOTES:
CATALOG #:	

30-IN-1 RETROFIT DOWNLIGHT

5 CCT COLOR PREFERENCE® | 3 LUMENBOOST®
WITH E26 SOCKET ADAPTER

KEY FEATURES

Customize 30 light configurations—15 using white baffle trim and 15 using black baffle trim

- Luminaire shall use ETI SSL's patented Color Preference with 5 Selectable CCTs (2700K, 3000K, 3500K, 4000K, 5000K), using 90+ CRI with 50+ R9 values
- 3 Lumen Options: 600/800/1000 lumens (4")
700/900/1100 lumens (6")
- IC Rated for maximum thermal management
- Triac dimming down to 10%—quiet and flickering free
- Wet location rated

SPECIFICATIONS

Construction

- Durable die-cast aluminum housing design for maximum thermal management and performance
- Suitable for IC or Non-IC applications
- Matte white finish, baffle trim. Two trim rings included (White, Black)

Optics

- Polycarbonate diffused lens
- Smooth, uniform light distribution

Installation

- Two low-profile spring retention clips for a secure fit—no need for a separate recessed housing or junction box
- Field select one of five CCTs at installation with an integral switch located on back of lamp. Factory set to 2700K.
- Easy to install—simply twist E26 base into existing socket

Electrical

- 55,000 hour LEDs at L70 for reduced maintenance
- Operates at 120V, 60Hz
- Triac dimming, down to 10%*
- ETI's patented 5 CCT COLOR PREFERENCE® allows for easy field-adjustable color temperature selection with switch
- 3 LUMEN BOOST® easy field-adjustable lumen selection with switch

* Always consult dimmer manufacturer for proper use, installation and compatibility (some dimmers may require a neutral in the wall box).

Warranty

5-Year Standard Warranty. See terms at: [ETISSL.com/warranty/](https://www.etissl.com/warranty/)

KEY DATA	
Lumen Range	573 – 1178
Wattage Range	14.3 – 16.5
Efficacy Range (LPW)	71-79 (based on 2700K)
Reported Life (Hours)	L70 / >50,000
Input Current (mA)	100



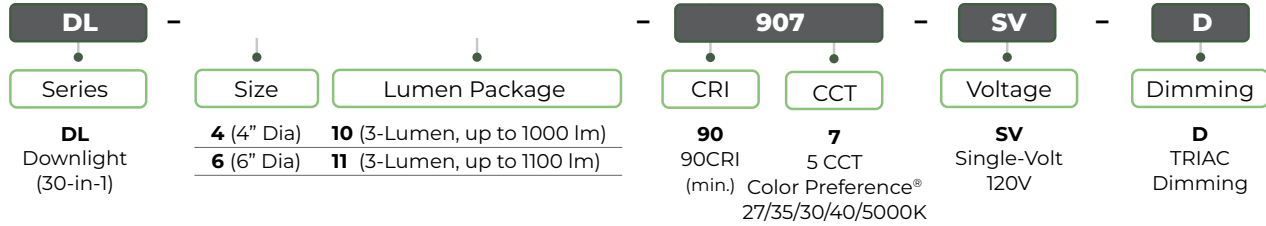
Certifications & Test Data

- Built to UL standards and have the appropriate UL labels and information on product
- Wet location
- Adheres to LM63, LM79, LM80 and TM21 industry standards for photometric, lumen maintenance and lifetime calculations
- ENERGY STAR® rated (See Page 3 for search info.)
- JAB Title 24 Compliant
- Driver rated for FCC part 15 Class B for use in residential or commercial applications
- IC Rated for direct contact with insulation
- Suitable for use in clothes closets when installed in accordance with the NEC 410.16 spacing requirements



30-in-1 Retrofit Downlight 5 CCT COLOR PREFERENCE® | 3 LUMENBOOST® | WITH E26 SOCKET ADAPTER

CATALOG LOGIC



Notes:

1. Factory set at 2700K. Installing contractor responsible for ensuring desired CCT is selected during installation.




STOCK ORDERING INFORMATION (typical 2-3 day shipment lead time)¹

Catalog Part Number	Order Number	Case QTY	Description	ENERGY STAR®	Volt.	Dim	CRI	CCT (CP5)	Nominal Watts	Lumen Package (LB3)	Delivered Lumens	Efficacy
DL-4-10-907-SV-D	53802102	4	4" 30-in-1 Retrofit Downlight	Yes, Search: 538021###	120V	TRIAC	90+	2700K	9	600	573	64
									11	800	740	70
									13	1000	936	69
								3000K	9	600	689	66
									11	800	768	70
									13	1000	953	70
								3500K	9	600	622	69
									11	800	808	73
									13	1000	1010	74
								4000K	9	600	613	70
									11	800	788	74
									13	1000	978	75
5000K	9	600	592	70								
	11	800	745	73								
	13	1000	853	91								
DL-6-11-907-SV-D	53801102	4	6" 30-in-1 Retrofit Downlight	Yes, Search: 538011###	120V	TRIAC	90+	2700K	10	700	653	67
									12	900	820	69
									14	1100	1039	70
								3000K	10	700	681	70
									12	900	858	72
									14	1100	1092	72
								3500K	10	700	723	73
									12	900	918	76
									14	1100	1178	77
								4000K	10	700	716	74
									12	900	896	77
									14	1100	1135	78
5000K	10	700	689	74								
	12	900	849	76								
	14	1100	1052	78								

Notes: 1. Stock SKUs typically ship in 24-48 hours upon receipt of an approved released order
2. For more delivered lumens and test data see pages 3, or visit ETISSL.com

30-in-1 Retrofit Downlight 5 CCT COLOR PREFERENCE® | 3 LUMENBOOST® | WITH E26 SOCKET ADAPTER

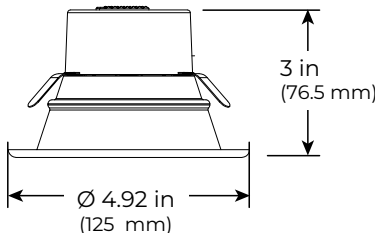
AVAILABLE STOCK ACCESSORIES (must be ordered separately, field installed)

Order Number	Description	Details	CA Title 20 MAEDBS (BBU)
70112202-2	Square Emergency LED Driver BBU 25W, IP rated, 90 min	 SPEC SHEET DOWNLOAD (located on ETISSL.com)	Search: EMA25FY-170
70112201-2	Round Emergency LED Driver BBU 25W, IP rated, 90 min	 SPEC SHEET DOWNLOAD (located on ETISSL.com)	Search: EMUFO-25170-YY
70101101	8W, IP Rated, 90 minutes, Square	 SPEC SHEET DOWNLOAD (located on ETISSL.com)	Search: BLD-AM08N

Notes: 1. Luminaires also compatible with: 70114402-2 (40W, IP rated, 90 minutes, Square) and 70114401-2 (40W, IP rated, 90 minutes, Round)

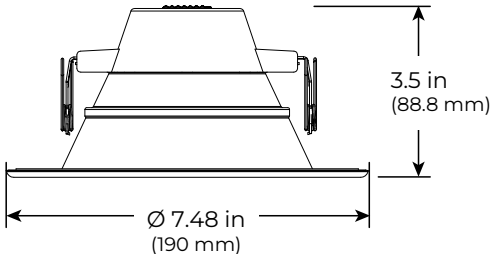
DIMENSIONS / DETAILS

4IN




Unit Weight
.6 lbs

6IN



Unit Weight
.9 lbs



Factory settings:
2700K, at lowest
lumen level

INCLUDED with luminaire:



6-Inch Downlight

- E26 Socket Adapter
- Black Baffle Ring
- 2 Friction Clips
- Tension Springs



4-Inch Downlight

- E26 Socket Adapter
- Black Baffle Ring
- Side clips



30 CONFIGURATIONS IN EACH LUMINAIRE

- 5 selectable CCTs X
- 3 selectable Lumen Levels X
- 2 Trim Options

PHOTOMETRIC SAMPLES

GIN 700 lm

Luminaire Data: 3500K

CCT & CRI	3500K, 90+ CRI
Delivered Lumens	723
Wattage	9.9W
Efficacy	73
Beam Angle	50%=101° 10%=144°
Spacing	0° = 1.26 90° = 1.18

Photometric values based on tests performed in compliance with LM-63 & LM-79

Candela Plot

Candela Distribution

Angle	0°	90°
0	305	305
5	304	301
10	300	293
15	294	284
20	284	272
25	272	258
30	258	240
35	241	218
40	218	192
45	191	163
50	161	133
55	129	101
60	96	70
65	66	42
70	38	19
75	17	9
80	8.3	3.9
85	3.2	0.0
90	0	0

% Effective Ceiling Cavity Reflectance

Ceiling	80%				70%				50%				30%				10%				0%
	70	50	30	10	70	50	30	10	50	30	10	50	30	10	50	30	10	0			
Wall	Zonal cavity method—Effective floor reflectance = 20%																				
RCR	Zonal cavity method—Effective floor reflectance = 20%																				
0	119	119	119	119	116	116	116	116	111	111	111	111	106	106	106	102	102	102	100		
1	110	106	103	99	108	104	101	98	100	97	95	96	94	92	93	91	89	87			
2	102	94	88	83	99	92	87	82	89	84	80	86	82	79	83	80	77	75			
3	93	84	76	71	91	82	75	70	79	74	69	77	72	68	74	70	66	64			
4	86	75	67	61	84	74	66	60	71	65	59	69	63	59	67	62	58	56			
5	79	67	59	53	77	66	58	53	64	57	52	62	56	51	60	55	51	49			
6	73	61	53	47	72	60	52	46	58	51	46	57	50	46	55	50	45	43			
7	68	55	47	41	67	55	47	41	53	46	41	52	45	41	50	45	40	38			
8	64	51	43	37	62	50	42	37	49	42	37	48	41	36	46	41	36	34			
9	59	47	39	33	58	46	39	33	45	38	33	44	38	33	43	37	33	31			
10	56	43	35	30	55	43	35	30	42	35	30	41	34	30	40	34	30	28			

Zonal Lumen Summary

Zone	Lumens	% Luminaire
0-30	235.04	32.5%
0-40	382.28	52.9%
0-60	636.89	88.1%
0-90	722.87	100.0%

96°

GIN 900 lm

Luminaire Data: 3500K

CCT & CRI	3500K, 90+ CRI
Delivered Lumens	918
Wattage	12W
Efficacy	76
Beam Angle	50%=101° 10%=144°
Spacing	0° = 1.26 90° = 1.20

Photometric values based on tests performed in compliance with LM-63 & LM-79

Candela Plot

Candela Distribution

Angle	0°	90°
0	388	388
5	387	383
10	382	375
15	373	364
20	361	349
25	347	330
30	328	309
35	306	282
40	278	248
45	244	211
50	205	171
55	164	131
60	123	92
65	84	56
70	49	26
75	21	12
80	11	5.5
85	4.2	0.2
90	0	0

% Effective Ceiling Cavity Reflectance

Ceiling	80%				70%				50%				30%				10%				0%
	70	50	30	10	70	50	30	10	50	30	10	50	30	10	50	30	10	0			
Wall	Zonal cavity method—Effective floor reflectance = 20%																				
RCR	Zonal cavity method—Effective floor reflectance = 20%																				
0	119	119	119	119	116	116	116	116	111	111	111	111	106	106	106	102	102	102	100		
1	110	106	103	99	108	104	101	98	100	97	95	96	94	92	93	91	89	87			
2	102	94	88	83	99	92	87	82	89	84	80	86	82	79	83	80	77	75			
3	93	84	77	71	91	82	76	70	79	74	69	77	72	68	74	70	67	65			
4	86	75	67	61	84	74	66	60	71	65	60	69	63	59	67	62	58	56			
5	79	67	59	53	77	66	58	53	64	57	52	62	56	52	61	55	51	49			
6	73	61	53	47	72	60	52	46	58	51	46	57	50	46	55	50	45	43			
7	68	55	47	41	67	55	47	41	53	46	41	52	45	41	50	45	40	38			
8	64	51	43	37	62	50	42	37	49	42	37	48	41	37	46	41	36	35			
9	60	47	39	33	58	46	39	33	45	38	33	44	38	33	43	37	33	31			
10	56	43	36	30	55	43	35	30	42	35	30	41	35	30	40	34	30	28			

Zonal Lumen Summary

Zone	Lumens	% Luminaire
0-30	298.96	32.6%
0-40	486.32	53.0%
0-60	809.52	88.2%
0-90	917.97	100.0%

96°

GIN 1100 lm

Luminaire Data: 3500K

CCT & CRI	3500K, 90+ CRI
Delivered Lumens	1178
Wattage	15W
Efficacy	77
Beam Angle	50%=101° 10%=143°
Spacing	0° = 1.26 90° = 1.20

Photometric values based on tests performed in compliance with LM-63 & LM-79

Candela Plot

Candela Distribution

Angle	0°	90°
0	499	499
5	497	492
10	491	481
15	480	466
20	463	447
25	444	423
30	420	396
35	390	361
40	350	319
45	306	272
50	257	222
55	207	170
60	156	120
65	107	73
70	63	34
75	27	16
80	14	7.2
85	5.5	0.4
90	0	0

% Effective Ceiling Cavity Reflectance

Ceiling	80%				70%				50%				30%				10%				0%
	70	50	30	10	70	50	30	10	50	30	10	50	30	10	50	30	10	0			
Wall	Zonal cavity method—Effective floor reflectance = 20%																				
RCR	Zonal cavity method—Effective floor reflectance = 20%																				
0	119	119	119	119	116	116	116	116	111	111	111	111	106	106	106	102	102	102	100		
1	110	106	103	99	108	104	101	98	100	97	95	96	94	92	93	91	89	87			
2	102	94	88	83	99	92	87	82	89	84	80	86	82	79	83	80	77	75			
3	93	84	77	71	91	82	76	70	79	74	69	77	72	68	74	70	67	64			
4	86	75	67	61	84	74	66	60	71	65	60	69	63	59	67	62	58	56			
5	79	67	59	53	77	66	58	53	64	57	52	62	56	52	61	55	51	49			
6	73	61	53	47	72	60	52	46	58	51	46	57	50	46	55	50	45	43			
7	68	55	47	41	67	55	47	41	53	46	41	52	45	41	50	45	40	38			
8	64	51	43	37	62	50	42	37	49	42	37	48	41	37	46	41	36	35			
9	60	47	39	33	58	46	39	33	45	38	33	44	38	33	43	37	33	31			
10	56	43	36	30	55	43	35	30	42	35	30	41	35	30	40	34	30	28			

Zonal Lumen Summary

Zone	Lumens	% Luminaire
0-30	383.86	32.60%
0-40	623.93	53.00%
0-60	1038.13	88.10%
0-90	1177.48	100.0%

96°