

DATE:	PROJECT:
TYPE:	NOTES:
CATALOG #:	

## VT SERIES 4' VAPOR TIGHT 5400 WITH 0-10V DIMMING

Lumens 5482 – 5843 | Efficacy up to 124

### KEY FEATURES

ETi SSL's 4-FT Dimmable Vapor Tight is designed with durable stainless-steel latches to prevent moisture and dirt from compromising the housing and damaging interior wires and components inside the fixture. Vapor Tights are weatherproof and rated IP65 as dust tight and protect against projected water.

#### CCT & Light Quality

- 4000K or 5000K CCT options
- 80+ CRI

#### Light Output & Efficacy

- 5482 to 5843 Delivered Lumens
- Efficacy Rating up to 124
- 91.46% lumen maintenance @ 54,000 hours and projected L70 @ 210,000 hours

#### Dimming, Voltage, Controls

- 0-10V dimming to 10%
- Universal voltage (120-277V)
- BBU or OC sensor accessories available

### SPECIFICATIONS

#### Construction

- Gray polycarbonate housing with stainless-steel latches
- Airtight seal prevents moisture and dirt from compromising the housing and damaging interior wires and components

#### Optics

- Non-yellowing high-impact resistant polycarbonate lens
- Frosted diffuser delivers even illumination and diminished glare

#### Installation

- Suspension and surface mounting kits included
- Link together up to 8 luminaires

#### Electrical

- 210,000 hour LEDs at L70 for reduced maintenance
- Operates at 120-277V, 50/60 Hz
- 0-10V dimming

#### Warranty

5-Year Standard Warranty. See terms at: [ETISSL.com/warranty/](https://www.etissl.com/warranty/)

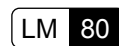


Cord Grip Included

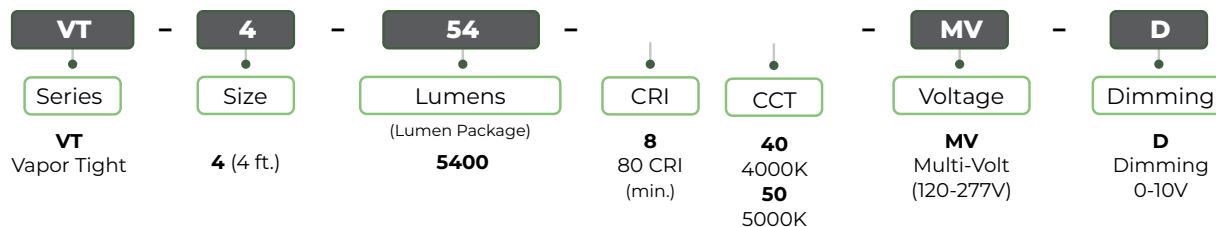
KEY DATA	
Lumens Range	5482 – 5843
Wattage Range	50.8 – 51
Efficacy Range (LPW)	108 – 115
Reported Life (Hours)	L70 / 210,000

#### Certifications & Test Data

- All luminaires are built to UL standards and have the appropriate UL labels and information on product
- Wet location—IP65 Rated
- Adheres to LM79, LM80, and TM21 industry standards for photometric, lumen maintenance and lifetime calculations
- DLC® (DesignLights Consortium) Listed. Please refer to DLC for specific product qualifications at [www.designlights.org](http://www.designlights.org) (See Page 2 for search info.)
- IC Rated
- Driver rated for FCC part 15 Class B for use in residential or commercial applications



CATALOG LOGIC





STANDARD STOCK ORDERING INFORMATION

Catalog Part Number	Order Number	Description	Lumen Package	Delivered Lumens <sup>1</sup>	Nominal Wattage	Efficacy	CCT	CRI	Voltage	Dim	DLC
VT-4-54-840-MV-D	54465141	4' Vapor Tight, 4000K	5400	5482	51	108	4000K	80+	120-277V	0-10V	Standard Search: 544651##-2
VT-4-54-850-MV-D	54465161	4' Vapor Tight, 5000K	5400	5843	51	124	5000K	80+	120-277V	0-10V	Standard Search: 544651##-2

Notes: 1. For more delivered lumens and test data see on page 3, or visit ETISSL.com

AVAILABLE STOCK ACCESSORIES (must be ordered separately, field installed)


Emergency LED Driver/BBU<sup>3</sup> Not compatible with Motion Sensor

Catalog Part Number	Order Number	Description	Details
EMA40FY-170	70114402-2	Square Emergency LED Driver BBU 40W, IP rated, 90 min	 BBU's certified in CA Title 20 MAEDBS Search: EMA40FY-170 <a href="#">INFORMATION</a>
EMUFO-40170-YY	70114401-2	Round Emergency LED Driver BBU 40W, IP rated, 90 min	 BBU's certified in CA Title 20 MAEDBS Search: EMUFO-40170-YY <a href="#">INFORMATION</a>

Notes:

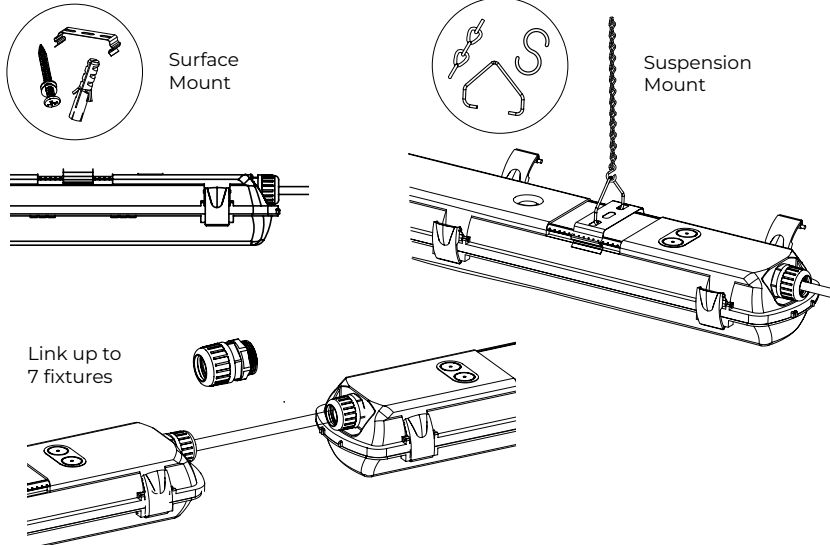
- Multiply the LPW of specified SKU by BBU wattage for the approximate delivered lumens. (Ex. 127 LPW x 40-watts = approximately 5000 lumens)
- Luminaires also compatible with: 70112202-2 (25W, IP rated, 90 minutes, Square) and 70112201-2 (25W, IP rated, 90 minutes, Round)
- BBUs CANNOT be used or installed with Motion Sensor. Luminaire can be used with either BBU or Sensor. It is not compatible with both.

Motion Sensor<sup>1,2</sup> Not compatible with Emergency LED Driver/BBU

Catalog Part Number	Order Number	Description	Details
MC601V	90600144	Internal Step Dimming Motion Sensor (Microwave with daylight sensor)	 <a href="#">SPEC SHEET DOWNLOAD</a> (located on ETISSL.com)

- Notes: 1. Motion Sensor CANNOT be used or installed with BBUs. Luminaire can be used with either BBU or Sensor. It is not compatible with both.  
 2. For factory installed sensor in fixture please view order numbers 54465141-I and 54465161-I. [Download OC Sensor version Spec Sheet.](#)

**MOUNTING**

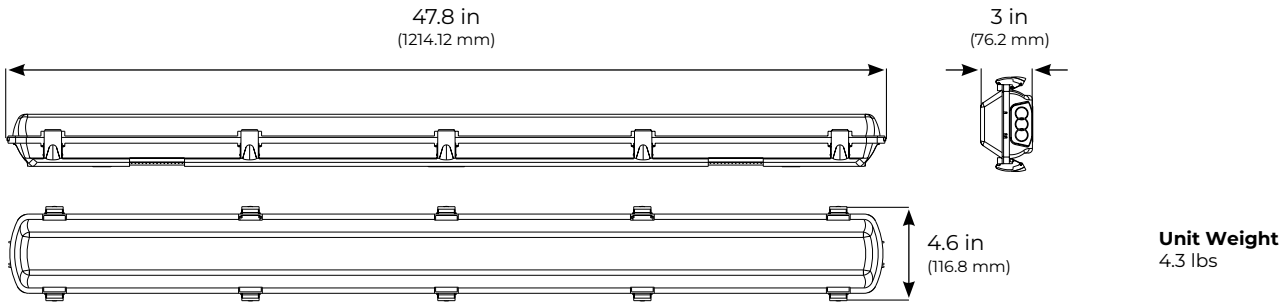


**Included with the product**



- Mounting Screws
- Dry Wall Anchors
- U Brackets
- V Clips
- Cord Grip
- 2 Suspension Chains
- S Hooks
- Wire Connectors

**DIMENSIONS / DETAILS**



**PERFORMANCE / Data**

**Lumen Maintenance**

Ambient Temp.	TM-21 Lumen Maintenance (54,000 hours)
25° C (77° F)	> 91.46%
Ambient Temp.	TM-21 Theoretical L70 (hours)
25° C (77° F)	210,000

**Load Information**

<b>Power Factor</b>	0.90
<b>THD</b>	< 20%
<b>Frequency</b>	50/60 Hz
<b>Sound Rating</b>	< 20 Dba
<b>Low Temp Start / Max Temp</b>	-30° C (-22° F) / 60° C (140° F)

**PHOTOMETRIC SAMPLE**

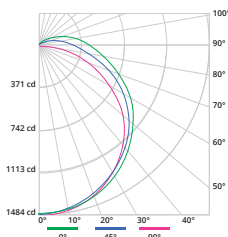
4000K  
IES

**Luminaire Data: 4000K**

CCT & CRI	<b>4000K, 80+ CRI</b>
Initial Delivered Lumens	<b>5482</b>
Wattage	<b>50.8W</b>
Efficacy	<b>107.9</b>
Beam Angle	<b>50% = 124.2° 10% = 171.5°</b>
Spacing	<b>0° = 1.36 90° = 1.28</b>

Photometric values based on tests performed in compliance with LM-63 & LM-79

**Indoor Candela Plot**



5000K  
IES

**Luminaire Data: 5000K**

CCT & CRI	<b>5000K, 80+ CRI</b>
Initial Delivered Lumens	<b>5843</b>
Wattage	<b>47.0W</b>
Efficacy	<b>124</b>
Beam Angle	<b>50% = 125.7° 10% = 163.9°</b>
Spacing	<b>0° = 1.30 90° = 1.32</b>

Photometric values based on tests performed in compliance with LM-63 & LM-79

**Indoor Candela Plot**

