

Dedicated for LED UFO High Bay



ETI ADVANTAGE



Features

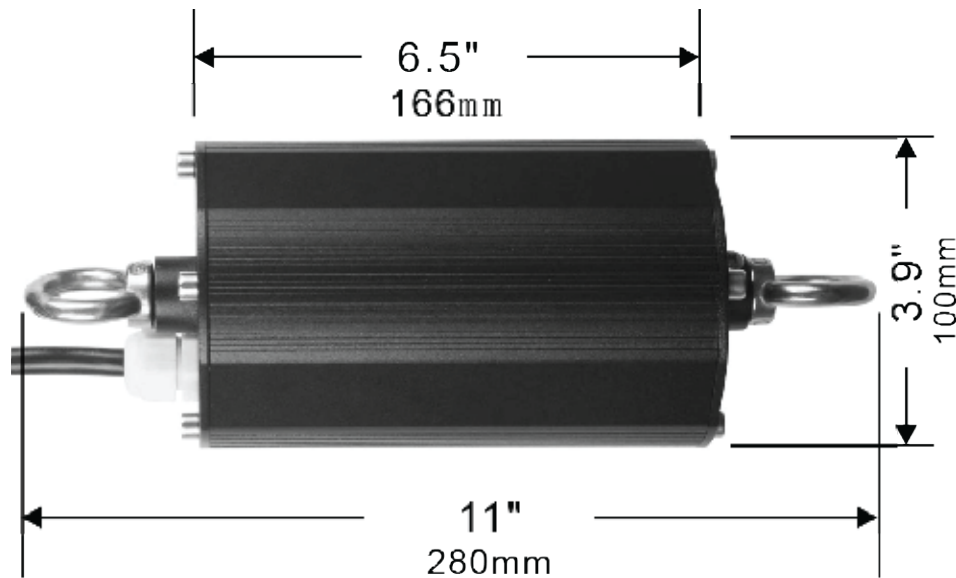
- ✓ UL Listed for US & Canada listed to UL924 and tested to CSA 22.2 No. 141 Field or Factory
- ✓ High output voltage
- ✓ Low energy consumption CEC compliance
- ✓ Constant output power
- ✓ Self-testing
- ✓ Battery: Over temperature protection
- ✓ Remote control testing distance at 98ft. max.

Specifications

- Input Voltage: 100~347Vac, 50/60Hz
- Input Current: 200mA max.
- Input Power Rating: 10W
- Recharge Time: 24Hrs
- Output Voltage: 170Vdc
- Emergency Power: 25W/40W
- Discharge Time: 1.5H
- Battery: Ni-MH or Li-ion
- Warranty: 5 Years
- Ambient Temp: 41~122°F (5~50°C)
- Weight: 7.3 lbs (3.3kg)
- Surge Protection: Line-Neutral 2KV

Model No.	Input Voltage	Output Voltage	Emergency Power	Recharge Time	Illumination Time	Battery	Ambient Temp	Waterproof	Certification
70112201	AV100-347V	DC170V	25W	≥24 Hours	≥90 Mins	Li-ion	5~50°C	IP65	UL/CE
70114401			40W		≥180 Mins				

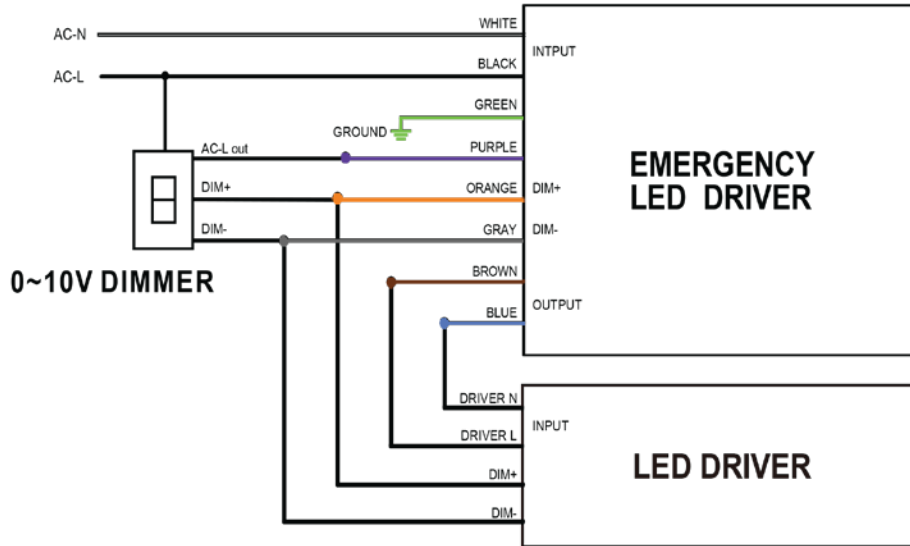
Dimensions

**CAUTION:**

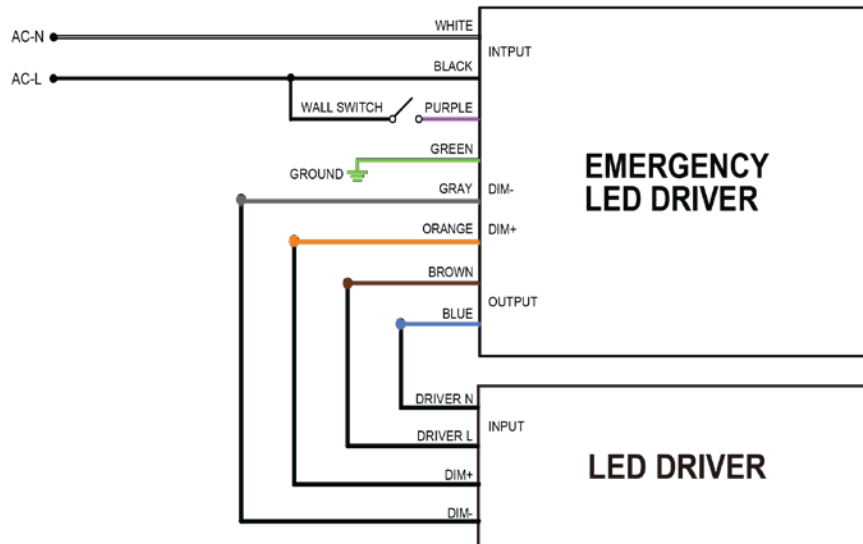
- During AC operation, remember no touch or remove any wires in case of electric shock.
- During emergency operation, before touching and disconnecting the wires, remember to press the test button again to make the led lamp and indicator light off to avoid electric shock.
- The voltage input to the dimmable wires (DIM+, DIM-) of emergency LED driver must less than 20Vdc.
- This emergency LED driver only work with LED lamp with dimmable function.

Wiring Diagram

A) With Dimmer

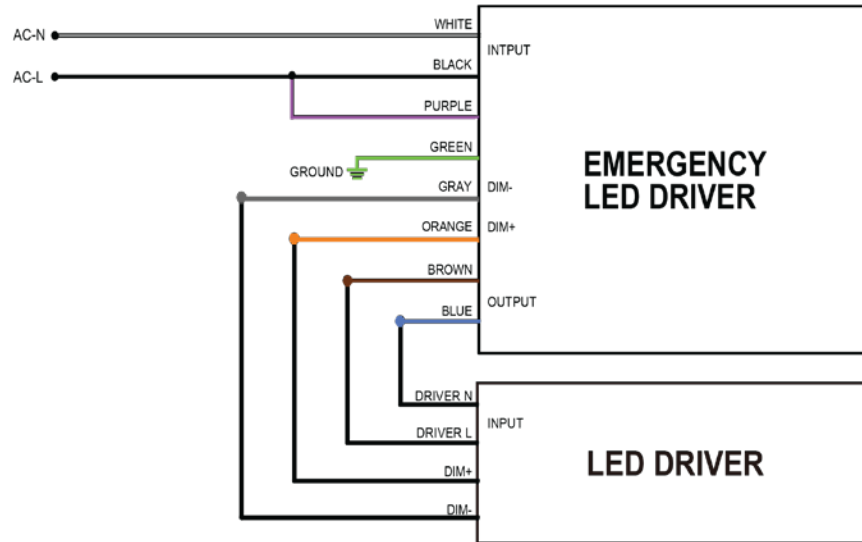


B) Without Dimmer

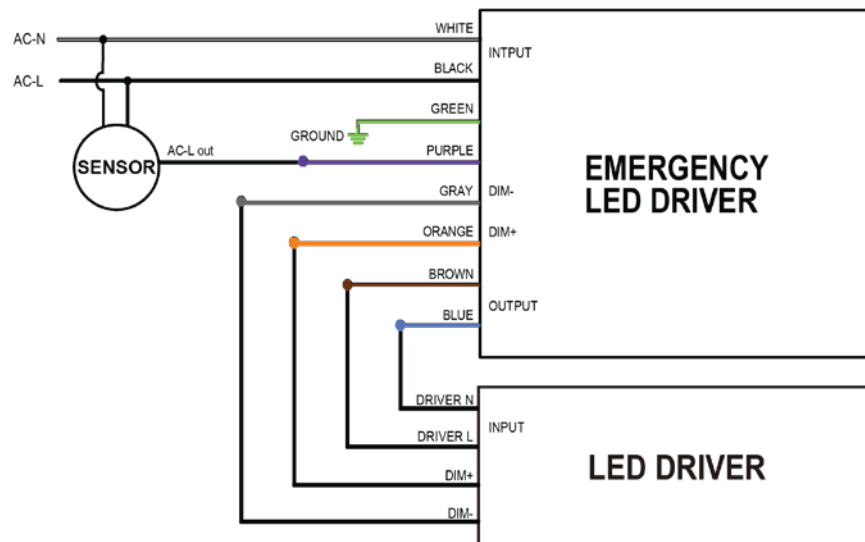


Wiring Diagram

C) Without Switch and Without Dimmer



D) With Sensor



Operation

- AC operation, when AC power supplies to the AC driver ,and the AC driver will operate the LED load as designed. Then the will be kept as charging status, and the indicator light will keep lighting. When press the test button, it will change into emergency status at a reduced lumen output for 30 seconds, during this time, the indicator will flash slowly (light on for 2 seconds, off for 2 seconds); then 30 seconds later, it will recover into AC operation.
- Emergency operation, When AC power fails, emergency LED driver automatically switches to emergency mode, keeping the LED load illuminated at a reduced lumen output for a minimum of 90 minutes, during this time, the indicator will flash slowly (light on for 2 seconds, off for 2 seconds); when AC power is restored, it will return to charging mode, and the indicator light will keep lighting.

Self-Test

- The emergency LED driver contain a control/monitor circuit which will perform a 30-second discharge test once a month and a full 90-minute discharge test once a year. At this time, the unit simulate an AC power failure and automatically switch to emergency mode. During routine testing, the unit will monitor the operation of the LED load, battery voltage, and emergency duration, if the unit detects any problems then the indicator will flash quickly.