

DATE:	PROJECT:
TYPE:	NOTES:
CATALOG #:	

FMDL SERIES

SMD6 SURFACE MOUNT DISK (1000 LM) WITH TWISTFIT MOUNTING SYSTEM & 3 CCT COLOR PREFERENCE®

KEY FEATURES

- ETI's patented Color Preference with 3 Selectable CCTs, and feature our TwistFit mounting system that easily mounts to existing junction boxes for fast installation.
- Mimics the appearance traditional 6" recessed downlights
- Triac dimming down to 10%—quiet and flickering free
- Wet location rated
- Clean, tight-fitting integrated LED trim freshens up old fixtures
- IC Rated for maximum thermal management
- Great for closets— meets NECA 410.16 requirement

SPECIFICATIONS

Construction

- Extruded aluminum, powder coated white at 1.2 mm thick specially engineered for lightweight handling and heat dissipation
- Designed for reduced fixture operating temperature, longer electrical component life and improved lumen maintenance over time
- Complete fixture is fully sealed and sits flush against the ceiling with no gap, protecting luminaire from environmental contaminants

Optics

- LEDs are surface mounted to a metal printed circuit board (MCPCB)
- Polycarbonate diffused lens designed for uniform wide light distribution giving visual comfortable with no LED pixelation
- 3 field-selectable CCT

Installation

- Driver is specifically designed with two tabs to twist and lock into place on the TwistFit mounting plate
- Field select one of three CCTs at installation with an integral switch located on back of lamp. Factory set to 3000K.
- Alternative retrofit installation option that fits many existing 5" and 6" cans with the torsion spring and E26 adapter accessory kit (sold separately)

Electrical

- >50,000 hour LEDs at L70 for reduced maintenance
- Operates at 120V, 60Hz
- Triac dimming, down to 10%*
- ETI's patented 3 CCT COLOR PREFERENCE® allows for easy field-adjustable color temperature selection with switch
- Easily service the SMD6 from below the ceiling surface

* Always consult dimmer manufacturer for proper use, installation and compatibility (some dimmers may require a neutral in the wall box).

Warranty

5-Year Standard Warranty. See terms at: ETISSL.com/warranty/

KEY DATA	
Lumen Range	998 – 1126
Wattage @3000K	13.7
Efficacy Range (LPW)	73 – 82
Reported Life (Hours)	L70 / > 50,000
Input Current (mA)	123



Available Trim Accessories (Order Separately)

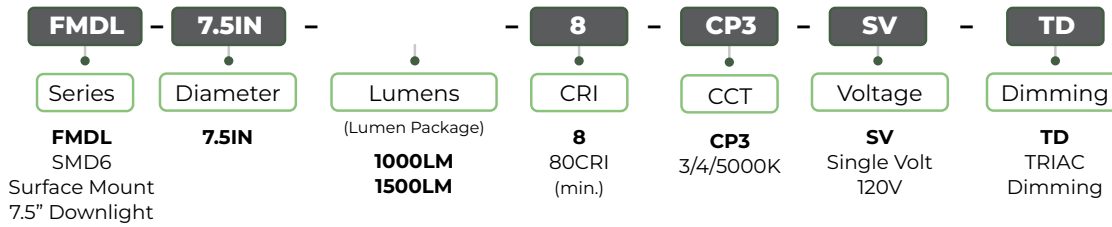


Certifications & Test Data

- Built to UL standards and have the appropriate UL labels and information on product
- Wet location
- Adheres to LM63, LM79, LM80 and TM21 industry standards for photometric, lumen maintenance and lifetime calculations
- ENERGY STAR® rated (See Page 2 for search info.)
- Driver rated for FCC part 15 Class B for use in residential or commercial applications
- IC Rated for direct contact with insulation
- Suitable for use in clothes closets when installed in accordance with the NEC 410.16 spacing requirements



CATALOG LOGIC



Notes:
 1. Factory set at the lowest CCT.
 Installing contractor responsible for ensuring desired CCT is selected during installation.

STOCK ORDERING INFORMATION

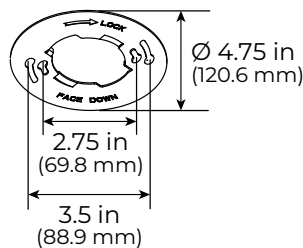
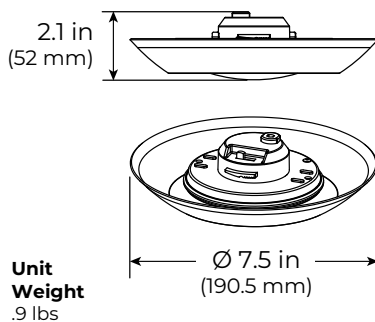
Catalog Part Number	Order Number	Product Description	Case QTY	Wattage (Nominal)	Lumen Package	Delivered Lumens ²	Efficacy (LPW)	CCT	CRI	Volt.	Dim	ENERGY STAR®
FMDL-7.5IN-1000LM-8-CP3-SV-TD	56578211	1000 lm SMD6 Flush Mount Disk	6	14	1000	1126	82	3000K	80+	120V	TRIAC	Yes, Search 565782##
						1097	81	4000K				
						998	73	5000K				
FMDL-7.5IN-1500LM-8-CP3-SV-TD	56578311	1500 lm SMD6 Flush Mount Disk	6	20	1500	1682	87	3000K	80+	120V	TRIAC	Yes, Search 565783##
						1615	85	4000K				
						1508	78	5000K				

Notes: 1. For more delivered lumens and test data see on page 3, or visit ETISSL.com

AVAILABLE STOCK ACCESSORIES (must be ordered separately, field installed)

Order Number	Description	Details
FMDL-TRIM-B	Black Trim for SMD6 Surface Mount Disks	
FMDL-TRIM-BZ	Oil Rubbed Bronze Trim for SMD6 Surface Mount Disks	
FMDL-TRIM-BN	Brushed Nickel Trim for SMD6 Surface Mount Disks	
FLDL-RETROFITKIT	Retrofit Torsion Spring with E26 Adapter Kit	
70114402-2 (EMA40FY-170)	Square Emergency LED Driver BBU 40W, IP rated, 90 min, Gen 3	<p>BBUs certified in CA Title 20 MAEDBS. Search: EMA40FY-170</p> <p>SPEC SHEET DOWNLOAD (located on ETISSL.com)</p>

DIMENSIONS / DETAILS



MOUNTING

TwistFit Mounting System (included)

The TwistFit Mounting System from start to finish in 3 easy steps.



Step 1: Install TwistFit mounting plate over junction box

Step 2: Connect the wiring

Step 3: Twist and lock into place

Done in less than 2 min

Torsion Spring & E26 Adapter Kit (sold separately)

Retrofit into many existing 5" & 6" cans



Step 1: Install torsion springs to the SMD6 trimbox

Step 2: Install E26 socket adapter

Step 3: Connect the wiring and push into place

Done in less than 2 min

PERFORMANCE / Data

Lumen Maintenance

Ambient Temp.	TM-21 Lumen Maintenance (54,000 hours)
25° C (77° F)	> 68.6%
Ambient Temp.	TM-21 Theoretical L70 (hours)
25° C (77° F)	51,000

Load Information

Power Factor	>.90
THD	< 20%
Frequency	60 Hz
Sound Rating	< 20 Dba
Low Temp Start / Max Temp	-20° C (-4° F) / 45° C (113° F)

PHOTOMETRIC SAMPLES

Luminaire Data: 1000 lm at 3000K

CCT & CRI	3000K, 80+ CRI
Delivered Lumens	1126
Wattage	13.7W
Efficacy	82
Beam Angle	50%=109° 10%=167°
Spacing	0° = 1.24 90° = 1.24

Photometric values based on tests performed in compliance with LM-63 & LM-79

Zonal Lumen Summary

Zone	Lumens	% Luminaire
0-30	306.0	27.2%
0-40	496.7	44.1%
0-60	864.3	76.8%
0-90	1118.7	99.3%

Candela Plot

Candela Distribution

Angle	0°	90°
0	398	398
5	396	396
10	390	390
15	380	380
20	367	367
25	350	349
30	330	329
35	307	306
40	281	280
45	253	253
50	225	225
55	197	195
60	167	166
65	137	137
70	109	109
75	81	82
80	62	56
85	33	33
90	15	14

% Effective Ceiling Cavity Reflectance

Ceiling	80%		70%		50%		30%		10%		0%							
	70	50	30	10	70	50	30	10	50	30		10	50	30	10			
Wall	70	50	30	10	70	50	30	10	50	30	10	50	30	10				
RCR	Zonal cavity method—Effective floor reflectance = 20%																	
0	119	119	119	119	116	116	116	116	111	111	111	106	106	106	101	101	101	99
1	108	103	98	94	105	101	97	93	96	93	90	92	89	87	88	86	84	82
2	98	90	83	77	95	88	81	76	84	78	74	81	76	72	77	74	70	68
3	89	79	70	64	87	77	69	63	74	67	62	71	65	61	68	64	59	57
4	82	70	61	54	79	68	60	53	66	58	53	63	57	52	61	56	51	49
5	75	62	53	46	73	61	53	46	59	51	46	57	50	45	55	49	44	42
6	70	56	47	41	68	55	47	40	53	46	40	51	45	39	50	44	39	37
7	64	51	42	36	63	50	42	36	48	41	35	47	40	35	45	39	35	33
8	60	46	38	32	58	46	38	32	44	37	32	43	36	31	42	36	31	29
9	56	43	34	29	55	42	34	29	41	34	28	40	33	28	39	33	28	26
10	53	39	31	26	51	39	31	26	38	31	26	37	30	26	36	30	26	24