

# DLLP-NL LOWPRO CANLESS DIRECT

## 5 CCT COLOR PREFERENCE® | NIGHTLIGHTR™

### J-BOX MOUNT RECESSED DOWNLIGHT

#### KEY FEATURES

- Luminaire shall use ETI Lighting's patented Color Preference® with 5 Selectable CCTs (2700K, 3000K, 3500K, 4000K, 5000K), Samsung LEDs with 90+ CRI, and ETI Lighting's patented NightlightR™ indirect low-lumen, 2000K nightlight.
- 90+ CRI (JA8 Title 24 Compliant) | High R9 and R13 values
- NightlightR™ features a 2000K low-lumen indirect light providing a warm glow for night
- IC Rated for maximum thermal management
- Triac dimming down to 10%—quiet and flickering free
- Wet location

#### SPECIFICATIONS

##### Construction

- Thin, durable die-cast aluminum trim with .25" surface profile
- Suitable for IC or Non-IC applications
- Matte white finish
- Optional non-conductive trim accessories for sizes 3" through 6", available in, Black, Oil Rubbed Bronze, and Brushed Nickel

##### Optics

- High impact, polymer diffuser lens for zero pixelation and overall visual comfort
- Uniform, even light distribution

##### Installation

- Two low-profile spring retention clips for a secure fit—no need for a separate recessed housing or junction box
- Easy to installed and service from below the mounting/ceiling surface
- Minimum 2" plenum space required to install the remote driver box
- Field select one of five CCTs at installation with an integral switch accessible on J-Box. Factory set to 2700K

##### Electrical

- >54,000 hour LEDs at L70 for reduced maintenance
- Operates at 120V, 60Hz
- Triac dimming, down to 10%\*
- ETISSL patented 5 CCT COLOR PREFERENCE® allowing for easy field-adjustable color temperature selection with switch located on J-Box

\* Always consult dimmer manufacturer for proper use, installation and compatibility (some dimmers may require a neutral in the wall box).

##### Warranty

5-Year Standard Warranty. See terms at: [ETISSL.com/warranty/](https://ETISSL.com/warranty/)

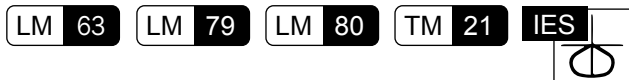
KEY DATA	
Lumen Range	561 – 2203
Wattage Range	8.82 – 22.7
Night Light Wattage	4.5
Efficacy Range (LPW)	74-97 (based on 3500K)
Reported Life (Hours)	L70 / >54,000
Input Current (mA)	90–195

DATE:	PROJECT:
TYPE:	NOTES:
CATALOG #:	

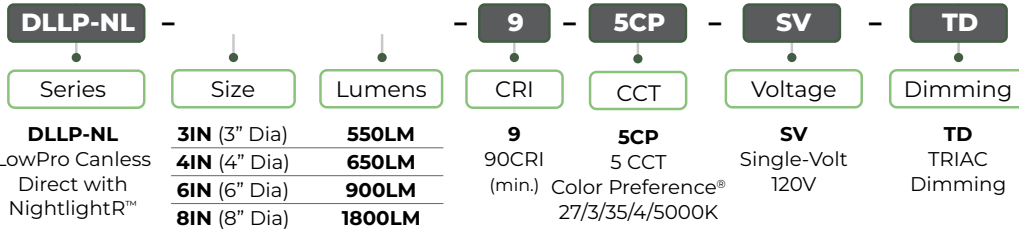


#### Certifications & Test Data

- All luminaires are built to UL 1598 standards and have the appropriate UL labels and information on product (See Page 3 for search info.)
- Wet location
- Adheres to LM63, LM79, LM80 and TM21 industry standards for photometric, lumen maintenance and lifetime calculations
- ENERGY STAR® rated (See Page 3 for search info.)
- Product can be used to comply with California Title 24 Efficiency Standards
- JA8 Title 24 Compliant
- IC Rated for direct contact with insulation



**CATALOG LOGIC**



**Notes:**

1. This product is not configurable, only designated 'Stock' SKUs are available. Lumens correspond to 3IN-8IN sizes
2. Factory set at 2700K. Installing contractor responsible for ensuring desired CCT is selected during installation.

**STOCK ORDERING INFORMATION** (typical 2-3 day shipment lead time)<sup>1</sup>

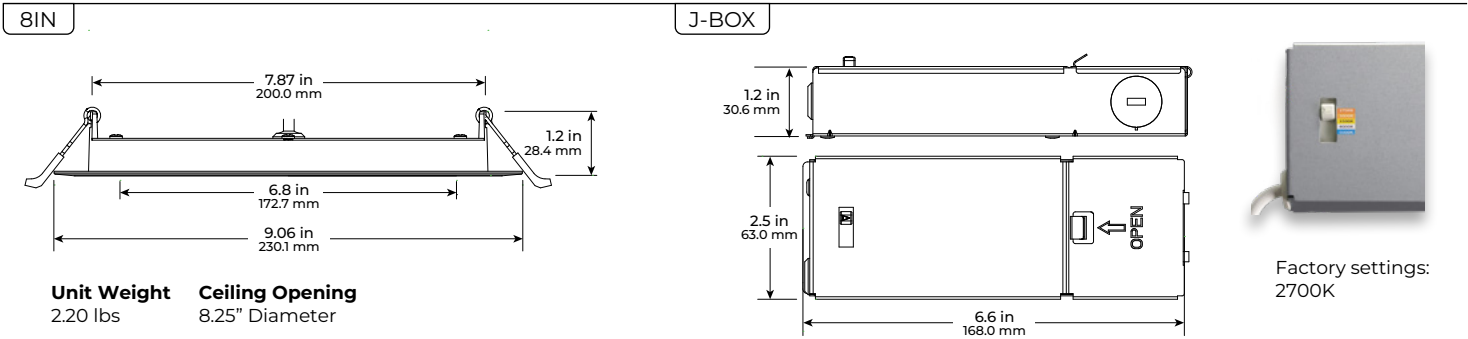
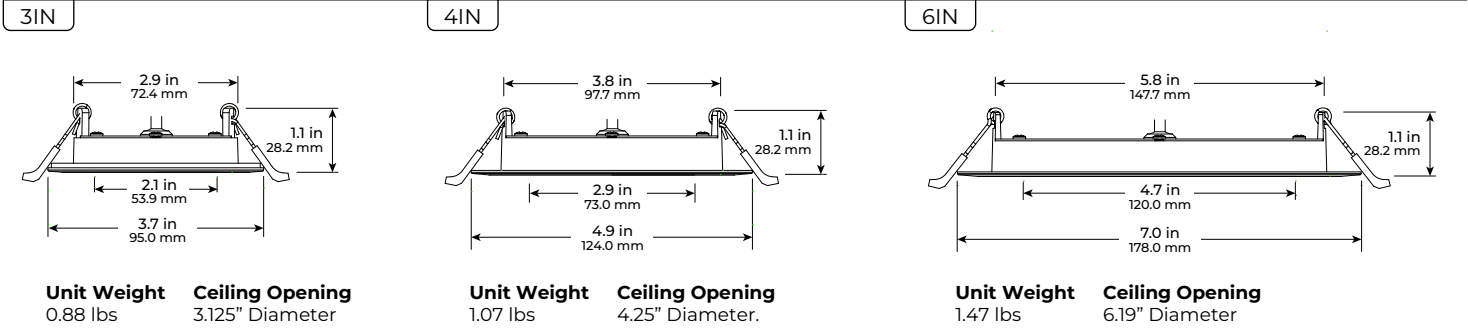
Catalog Part Number	Order Number	Description (Dia)	Case QTY	CRI	CCT (5CP)	Watts (Nom.)	Lumen Pkg	Delivered Lumens	LPW	Night Light Info	Volt.	Dim	ENERGY STAR®
DLLP-NL-3IN-550LM-9-5CP-SV-TD	53826102	3" LowPro Canless Downlight with NL	24	90+	2700K	10	550	561	62	4.5W 2000K	120V	TRIAC	Yes, Search 538261###
					3000K	10	550	596	67				
					3500K	10	550	657	74				
					4000K	10	550	684	77				
					5000K	10	550	649	67				
DLLP-NL-4IN-650LM-9-5CP-SV-TD	53827103	4" LowPro Canless Downlight with NL	16	90+	2700K	11	650	649	67	4.5W 2000K	120V	TRIAC	Yes, Search 538271###
					3000K	11	650	674	71				
					3500K	11	650	714	76				
					4000K	11	650	731	76				
					5000K	11	650	715	73				
DLLP-NL-6IN-900LM-9-5CP-SV-TD	53828103	6" LowPro Canless Downlight with NL	10	90+	2700K	15	900	895	62	4.5W 2000K	120V	TRIAC	Yes, Search 538281###
					3000K	15	900	957	67				
					3500K	15	900	1067	76				
					4000K	15	900	1112	78				
					5000K	15	900	1112	76				
DLLP-NL-8IN-1800LM-9-5CP-SV-TD	53829102	8" LowPro Canless Downlight with NL	10	90+	2700K	25	1800	1857	82	4.5W 2000K	120V	TRIAC	Yes, Search 538291###
					3000K	25	1800	1990	88				
					3500K	25	1800	2158	97				
					4000K	25	1800	2189	97				
					5000K	25	1800	2203	95				

- Notes: 1. Stock SKUs typically ship in 24-48 hours upon receipt of an approved released order  
 2. For more delivered lumens and test data see pages 3-5, or visit ETISSL.com

**AVAILABLE STOCK ACCESSORIES** (must be ordered separately, field installed)

Catalog Part Number	Order Number	Description	Details
LPGP-3IN	70306101	3in Rough-in Guide Plate (new construction)	
LPGP-4IN	70307101	4in Rough-in Guide Plate (new construction)	
LPGP-6IN	70313101	6in Rough-in Guide Plate (new construction)	
DLLP-3IN-G2-TRIM-B	906007970	3in Black Trim	
DLLP-3IN-G2-TRIM-BZ	906007960	3in Oil Rubbed Bronze Trim	
DLLP-3IN-G2-TRIM-BN	906007980	3in Brushed Nickel Trim	
DLLP-4IN-TRIM-B	90600747	4in Black Trim	
DLLP-4IN-TRIM-BZ	90600735	4in Oil Rubbed Bronze Trim	
DLLP-4IN-TRIM-BN	90600746	4in Brushed Nickel Trim	
DLLP-6IN-TRIM-B	90600749	6in Black Trim	
DLLP-6IN-TRIM-BZ	90600736	6in Oil Rubbed Bronze Trim	
DLLP-6IN-TRIM-BN	90600748	6in Brushed Nickel Trim	
DL-DMRJ-12FT-EXT	906008520	12FT extension cord (4-pin)	
DL-DMRJ-20FT-EXT	906008530	20FT extension cord (4-pin)	

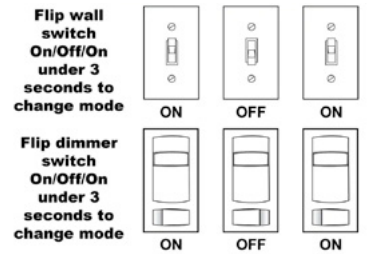
**DIMENSIONS / DETAILS**



**NightLightR™**

Night light mode function:

Regular Light Mode > Night Light Mode



**PERFORMANCE / Data**

**Lumen Maintenance**

Ambient Temp.	TM-21 Lumen Maintenance (54,000 hours)
25° C (77° F)	> 70.81%
Ambient Temp.	TM-21 Theoretical L70 (hours)
25° C (77° F)	>54,000

**Load Information**

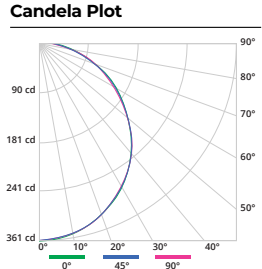
<b>Power Factor</b>	> 0.90
<b>THD</b>	< 20%
<b>Frequency</b>	50/60 Hz
<b>Sound Rating</b>	< 20 Dba
<b>Low Temp Start / Max Temp</b>	-20° C (-4° F) / 40° C (104° F)

PHOTOMETRIC SAMPLES

**3IN**  
**IES**

**Luminaire Data: 3" at 3500K**

CCT & CRI	<b>3500K, 90+ CRI</b>	
Delivered Lumens	<b>657</b>	
Wattage	<b>8.82W</b>	
Efficacy	<b>74</b>	
Beam Angle	<b>50%=110.6°</b> <b>10%=158.0°</b>	
Spacing	<b>0° = 1.26 90° = 1.24</b>	



**Candela Distribution**

Angle	0°	90°
0	238	238
5	238	237
10	235	233
15	230	227
20	223	219
25	213	209
30	202	197
35	189	184
40	175	169
45	159	153
50	142	136
55	124	118
60	105	100
65	84	80
70	63	59
75	40	38
80	19	18
85	3.2	1.5
90	.004	.028

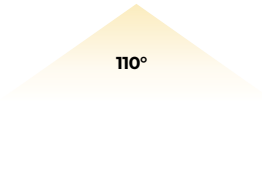
**% Effective Ceiling Cavity Reflectance**

Ceiling	80%				70%				50%				30%				10%				0%
	70	50	30	10	70	50	30	10	50	30	10	50	30	10	50	30	10	0			
<b>Wall</b>	70	50	30	10	70	50	30	10	50	30	10	50	30	10	50	30	10	0			
<b>RCR</b>	Zonal cavity method—Effective floor reflectance = 20%																				
0	119	119	119	119	116	116	116	116	111	111	111	111	106	106	106	102	102	102	100		
1	109	105	101	97	107	102	99	95	98	95	92	94	92	89	91	89	87	85			
2	99	91	85	79	97	89	83	78	86	81	76	83	78	75	80	76	73	71			
3	91	80	72	66	88	79	71	65	76	69	64	73	68	63	70	66	62	60			
4	83	71	62	56	81	70	62	55	67	60	55	65	59	54	63	58	53	51			
5	76	64	55	48	74	62	54	48	60	53	47	58	52	47	56	51	46	44			
6	70	57	48	42	69	56	48	42	54	47	41	53	46	41	51	45	41	39			
7	65	52	43	37	64	51	43	37	50	42	37	48	41	36	47	41	36	34			
8	61	47	39	33	59	47	39	33	45	38	33	44	37	33	43	37	32	30			
9	57	43	35	30	55	43	35	30	42	35	29	41	34	29	40	34	29	27			
10	53	40	32	27	52	40	32	27	39	32	27	38	31	27	37	31	27	25			

Photometric values based on tests performed in compliance with LM-63 & LM-79

**Zonal Lumen Summary**

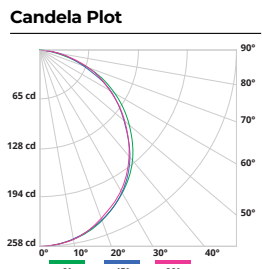
Zone	Lumens	% Luminaire
0-30	184.4	28.1%
0-40	301.1	45.9%
0-60	529.4	80.6%
0-90	656.5	100.0%
0-180	656.7	100.0%



**4IN**  
**IES**

**Luminaire Data: 4" at 3500K**

CCT & CRI	<b>3500K, 90+ CRI</b>	
Delivered Lumens	<b>714</b>	
Wattage	<b>9.42W</b>	
Efficacy	<b>76</b>	
Beam Angle	<b>50%=110.6°</b> <b>10%=159.9°</b>	
Spacing	<b>0° = 1.26 90° = 1.26</b>	



**Candela Distribution**

Angle	0°	90°
0	257	257
5	257	256
10	253	252
15	248	246
20	239	238
25	229	227
30	217	215
35	202	200
40	187	185
45	170	168
50	151	150
55	132	131
60	111	111
65	90	90
70	69	69
75	47	47
80	24	25
85	5.9	6.4
90	0	0.03

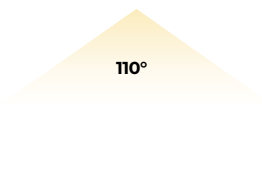
**% Effective Ceiling Cavity Reflectance**

Ceiling	80%				70%				50%				30%				10%				0%
	70	50	30	10	70	50	30	10	50	30	10	50	30	10	50	30	10	0			
<b>Wall</b>	70	50	30	10	70	50	30	10	50	30	10	50	30	10	50	30	10	0			
<b>RCR</b>	Zonal cavity method—Effective floor reflectance = 20%																				
0	119	119	119	119	116	116	116	116	111	111	111	111	106	106	106	102	102	102	100		
1	109	104	100	96	106	102	98	95	98	95	92	94	91	89	90	88	86	84			
2	99	91	84	79	97	89	83	78	86	80	76	82	78	74	79	76	72	70			
3	90	80	72	65	88	78	71	65	75	69	64	73	67	62	70	65	61	59			
4	83	71	62	55	80	69	61	55	67	60	54	65	58	53	62	57	53	51			
5	76	63	54	48	74	62	54	47	60	53	47	58	51	46	56	50	46	44			
6	70	57	48	42	68	56	48	41	54	47	41	52	46	41	51	45	40	38			
7	65	52	43	37	63	51	42	37	49	42	36	48	41	36	46	40	36	34			
8	61	47	39	33	59	46	38	33	45	38	32	44	37	32	43	37	32	30			
9	57	43	35	29	55	43	35	29	41	34	29	40	34	29	39	33	29	27			
10	53	40	32	27	52	39	32	27	38	31	27	37	31	26	37	31	26	25			

Photometric values based on tests performed in compliance with LM-63 & LM-79

**Zonal Lumen Summary**

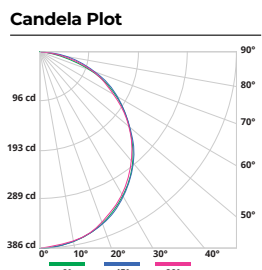
Zone	Lumens	% Luminaire
0-30	198.5	27.80%
0-40	323.8	45.40%
0-60	568.9	79.70%
0-90	713.4	100.00%
0-180	713.5	100.00%



**6IN**  
**IES**

**Luminaire Data: 6" at 3500K**

CCT & CRI	<b>3500K, 90+ CRI</b>	
Delivered Lumens	<b>1067</b>	
Wattage	<b>13.9W</b>	
Efficacy	<b>76</b>	
Beam Angle	<b>50%=110.2°</b> <b>10%=160.7°</b>	
Spacing	<b>0° = 1.26 90° = 1.20</b>	



**Candela Distribution**

Angle	0°	90°
0	384	384
5	383	379
10	378	371
15	370	359
20	358	344
25	343	327
30	324	306
35	303	283
40	280	259
45	254	232
50	227	204
55	198	175
60	168	145
65	136	115
70	105	84
75	73	54
80	41	25
85	13	1.9
90	0	0

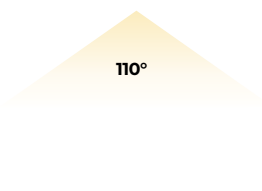
**% Effective Ceiling Cavity Reflectance**

Ceiling	80%				70%				50%				30%				10%				0%
	70	50	30	10	70	50	30	10	50	30	10	50	30	10	50	30	10	0			
<b>Wall</b>	70	50	30	10	70	50	30	10	50	30	10	50	30	10	50	30	10	0			
<b>RCR</b>	Zonal cavity method—Effective floor reflectance = 20%																				
0	119	119	119	119	116	116	116	116	111	111	111	111	106	106	106	102	102	102	100		
1	109	104	100	96	106	102	98	95	98	94	92	94	91	89	90	88	86	84			
2	99	91	84	78	96	89	83	77	85	80	76	82	78	74	79	75	72	70			
3	90	80	72	65	88	78	71	64	75	69	63	72	67	62	70	65	61	59			
4	83	71	62	55	80	69	61	55	67	60	54	64	58	53	62	57	53	50			
5	76	63	54	47	74	62	54	47	60	52	47	58	51	46	56	50	46	44			
6	70	57	48	41	68	56	47	41	54	46	41	52	46	40	51	45	40	38			
7	65	52	43	37	63	51	42	36	49	42	36	48	41	36	46	40	36	34			
8	61	47	38	33	59	46	38	33	45	38	32	44	37	32	43	36	32	30			
9	57	43	35	29	55	43	35	29	41	34	29	40	34	29	39	33	29	27			
10	53	40	32	27	52	39	32	27	38	31	26	37	31	26	36	31	26	24			

Photometric values based on tests performed in compliance with LM-63 & LM-79

**Zonal Lumen Summary**

Zone	Lumens	% Luminaire
0-30	296.1	27.80%
0-40	482.9	45.30%
0-60	847.5	79.40%
0-90	1067	100.00%
0-180	1067.1	100.00%

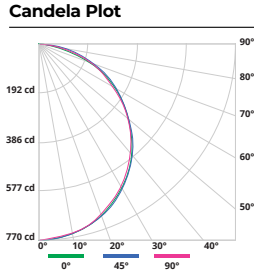


PHOTOMETRIC SAMPLES

8 IN  
ETI  
ES

**Luminaire Data:** 8" at 3500K

CCT & CRI	<b>3500K, 90+ CRI</b>
Delivered Lumens	<b>2158</b>
Wattage	<b>22.3W</b>
Efficacy	<b>94</b>
Beam Angle	<b>50%=111° 10%=161.4°</b>
Spacing	<b>0° = 1.26 90° = 1.22</b>



**Candela Distribution**

Angle	0°	90°
0	768	768
5	768	760
10	756	745
15	738	738
20	714	714
25	684	684
30	647	647
35	606	610
40	559	559
45	508	508
50	453	453
55	395	395
60	335	335
65	273	273
70	210	205
75	147	105
80	86	51
85	31	29
90	0.1	0.03

Photometric values based on tests performed in compliance with LM-63 & LM-79

**Zonal Lumen Summary**

Zone	Lumens	% Luminaire
0-30	593.3	27.50%
0-40	969	44.90%
0-60	1705.4	79.00%
0-90	2157	100.00%
0-180	2157.6	100.00%



**% Effective Ceiling Cavity Reflectance**

Ceiling	80%			70%			50%			30%			10%			0%			
Wall	70	50	30	10	70	50	30	10	50	30	10	50	30	10	50	30	10	0	
RCR	Zonal cavity method—Effective floor reflectance = 20%																		
0	119	119	119	119	116	116	116	116	111	111	111	111	106	106	106	102	102	102	100
1	109	104	100	96	106	102	98	94	97	94	91	94	91	89	90	88	86	84	
2	99	91	84	78	96	89	82	77	85	80	75	82	77	74	79	75	72	70	
3	90	80	71	65	88	78	70	64	75	68	63	72	67	62	70	65	61	59	
4	82	70	62	55	80	69	61	54	67	59	54	64	58	53	62	57	52	50	
5	76	63	54	47	74	62	53	47	60	52	46	58	51	46	56	50	45	43	
6	70	57	48	41	68	56	47	41	54	46	41	52	45	40	51	45	40	38	
7	65	51	43	36	63	51	42	36	49	41	36	48	41	36	46	40	35	33	
8	60	47	38	32	59	46	38	32	45	37	32	44	37	32	42	36	32	30	
9	56	43	35	29	55	42	34	29	41	34	29	40	34	29	39	33	29	27	
10	53	40	32	26	52	39	32	26	38	31	26	37	31	26	36	30	26	24	