

DATE:	PROJECT:
TYPE:	NOTES:
CATALOG #:	

UTRDP | 5" UNIVERSAL ROUND UTILITY LIGHT

WITH PULL CHAIN | 732 LUMENS | 4000K

KEY FEATURES

ETI SSL's 5IN Universal Round Utility Light is small, compact, and powerful. With a long life projection of 111,000 hours, and 84.2% lumen maintenance at 54,000 hours, this utility light offers long-lasting dependable brilliance.

- Great for tight spaces—4.72" width and 1.76" profile height
- Replaces 65W incandescent bulb
- Convenient pull chain switch
- L70: 111,000 hours

SPECIFICATIONS

Construction

- Cold-rolled steel with white finish

Light Quality

- 4000K, 80+ CRI

Optics

- Impact-resistant frosted PC diffuser lens for zero pixelation and overall visual comfort
- Uniform, even light distribution

Installation and Function

- Hard Wire:
Mounting hardware and quick connectors included

Electrical

- 111,000 hour LEDs at L70 for reduced maintenance
- Operates at 120V, 60Hz
- Operating temperature: -20°C (-4°F) / 45°C (113°F)
- Non-Dimmable

Warranty

5-Year Standard Warranty. See terms at: ETISSL.com/warranty/



KEY DATA	
Lumens	732
Wattage	6.6
Efficacy (LPW)	111
Reported Life (Hours)	L70 / 111,000

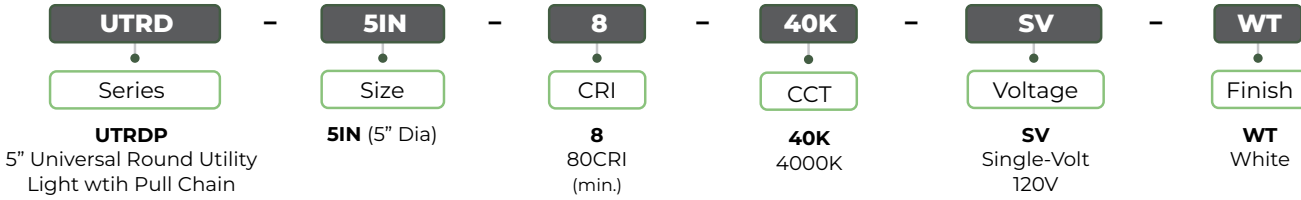
Certifications & Test Data

- All luminaires are built to UL 1598 standards and have the appropriate UL labels and information on product
- Damp location rated
- ENERGY STAR® rated (See Page 2 for search info.)
- Driver rated for FCC part 15 Class B for use in residential or commercial applications
- Suitable for use in closets when installed in accordance to NEC Section 410.16 (A)(1) and 410.16 (C)(1)



5" Universal Round Utility Light WITH PULL CHAIN

CATALOG LOGIC

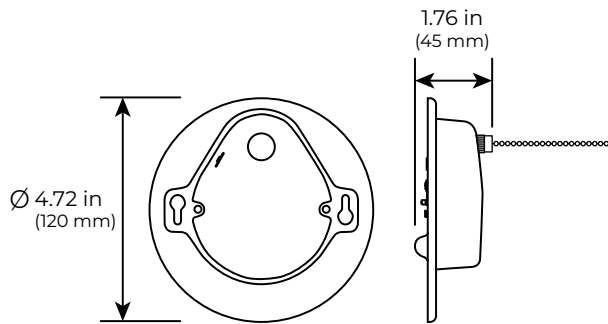


STOCK ORDERING INFORMATION

Catalog Part Number	Order Number	Size (Dia)	Case QTY	Lumen Package	Delivered Lumens ²	Wattage (Nominal)	Efficacy	CCT	CRI	Voltage	Dim	ENERGY STAR®
UTRDP-5IN-8-40K-SV-WT	564211420	5"	6	650	732	7	111	4000K	80 (min)	120V	Non-Dim	Search: 564211###

Notes: 1. For more delivered lumens and test data see below, or visit ETISSL.com

DIMENSIONS / DETAILS



Unit Weight
0.26 lb.

Included Mounting Hardware:



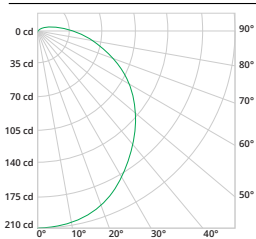
PHOTOMETRY

Luminaire Data:

CCT & CRI	4000K, 80+ CRI
Delivered Lumens	732
Wattage	6.6W
Efficacy	111
Beam Angle	50%=121.3° 10%=172.5°
Spacing	0° = 1.14 90° = 1.30

Photometric values based on tests performed in compliance with LM-63 & LM-79

Candela Plot



121°

Beam Angle

PERFORMANCE / DATA

Lumen Maintenance

Ambient Temp.	TM-21 Lumen Maintenance (54,000 hours)
25° C (77° F)	84.2%
Ambient Temp.	TM-21 Theoretical L70 (hours)
25° C (77° F)	111,000

Load Information

Power Factor	.90
THD	< 20%
Frequency	60 Hz
Low Temp Start / Max Temp	-20° C (-4° F) / 45° C (113° F)