

DATE:	PROJECT:
TYPE:	NOTES:
CATALOG #:	

## 11" OUTDOOR FLUSH MOUNT

PIR MOTION SENSOR | DUSK TO DAWN  
5 CCT COLOR PREFERENCE®  
WITH TWISTFIT™ MOUNTING SYSTEM

### KEY FEATURES

ETI's 11" Outdoor Flush Mount is wet location rated, withstands cold temperatures down to -4°F (-20°C), and comes with integrated PIR motion sensor with three settings.

- ETI's TwistFit™ Mounting System for easy installation
- ETI's patented Color Preference with 5 Selectable CCTs (2700K, 3000K, 3500K, 4000K, 5000K)
- PIR Motion Sensor | Dusk-to-Dawn
- Detects motion up to 15 feet away
- 3 Settings: Motion Mode, Dusk to Dawn (DTD) Mode, and Disable

### SPECIFICATIONS

#### Construction

- Modern fixture with white or black aluminum trim
- White acrylic shade

#### Optics

- Diffuser lens for zero pixelation and overall visual comfort
- Uniform, even light distribution

#### Installation and Function

- TwistFit™ Surface mount kit included:
  - TwistFit Mounting Bracket
  - Mounting screw and wire connectors
- Choose from 5 field-selectable CCTs—2700/3000/3500/4000/5000K  
Factory set at 2700K
- Choose from 3 PIR Motion Sensor settings:  
Motion Mode, Dusk to Dawn (DTD) Mode, and Disable

#### Electrical

- 50,000 hour LEDs at L70 for reduced maintenance
- Operates at 120V, 60Hz
- Operating temperature: -20°C (-4°F) / 45°C (113°F)
- Dimmable—TRIAC
- ETI's patented 5 CCT COLOR PREFERENCE® allowing for easy field-adjustable color temperature selection with switch located on back of luminaire
- 3 Dusk to Dawn PIR Sensor settings located on back of luminaire

\* Always consult dimmer manufacturer for proper use, installation and compatibility (some dimmers may require a neutral in the wall box).

#### Warranty

5-Year Standard Warranty. See terms at: [ETISSL.com/warranty/](https://ETISSL.com/warranty/)

KEY DATA	
Lumen Package	830
Wattage (Nominal)	11.5
Efficacy (LPW)	72
Reported Life (Hours)	L70 / 50,000



**PIR Motion Sensor | Dusk-to-Dawn**  
Detects Motion up to 15 ft Away  
and has 3 Modes of Operation



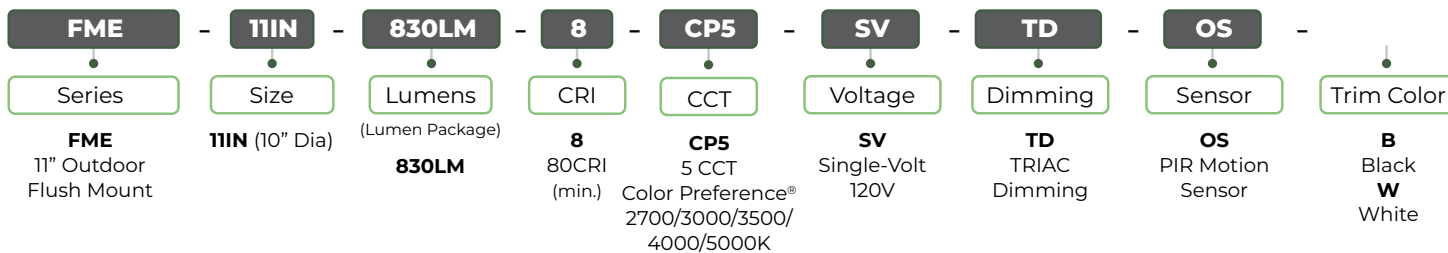
#### Certifications & Test Data

- cULus Listed for Wet Location
- ENERGY STAR® rated (See Page 2 for search info.)
- Driver rated for FCC part 15 Class B for use in residential or commercial applications
- IC Rated for direct contact with insulation



# 11" Outdoor Flush Mount PIR MOTION SENSOR | 5 CCT COLOR PREFERENCE® | WITH TWISTFIT™ MOUNTING SYSTEM

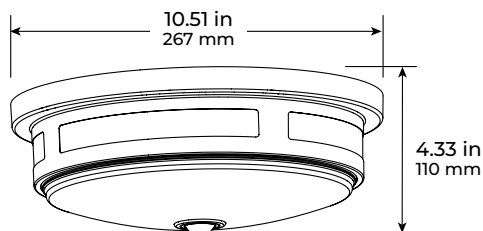
## CATALOG LOGIC



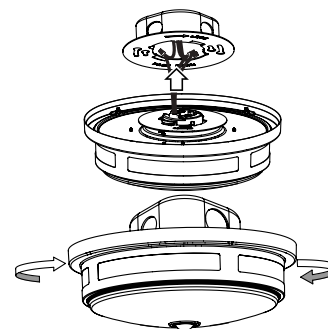
## STOCK ORDERING INFORMATION

Catalog Part Number	Order Number	Trim Color	Case QTY	Lumen Package	Wattage (Nominal)	Efficacy	CCT	CRI	Voltage	Dim	ENERGY STAR®
FME-11IN-830LM-8-CP5-SV-TD-OS-B	564281030	Black	2	830	11.5	72	2700K 3000K 3500K 4000K 5000K	80 (min)	120V	TRIAC	Yes, Search: 564281##
FME-11IN-830LM-8-CP5-SV-TD-OS-W	564281040	White	2	830	11.5	72	2700K 3000K 3500K 4000K 5000K	80 (min)	120V	TRIAC	Yes, Search: 564281##

## DIMENSIONS / DETAILS



**Unit Weight**  
1.17 lbs.



### FIELD-SELECTABLE CCT

Factory set to 2700K.



### MOTION SENSOR / DUSK-TO-DAWN SETTINGS

#### Motion Mode

Fixture will turn on at dusk, then drop to 30% lumen output until motion detected. Once motion is sensed, lumen output boosts to 100% and holds for 5 minutes until motion is no longer detected.

#### Dusk-to-Dawn Mode (DTD)

Fixture will come on at 100% lumen output when darkness is sensed.

#### Disable Mode

Works as typical light fixture with motion and DTD disabled. Fixture can be set to 30% light output and 100% by toggling light switch within 3 seconds.