

DATE:	PROJECT:
TYPE:	NOTES:
CATALOG #:	

VT SERIES 4' VAPOR TIGHT 3600 WITH OC SENSOR & 0-10V DIMMING

Lumens 4120 | Efficacy 122

KEY FEATURES

ETI's 4-FT Dimmable Vapor Tight with OC Sensor is designed with durable stainless-steel latches to prevent moisture and dirt from compromising the housing and damaging interior wires and components inside the fixture. Vapor Tights are weatherproof and rated IP65 as dust tight and protect against projected water.

CCT & Light Quality

- CCT 4000K
- 80+ CRI

Light Output & Efficacy

- 4120 Lumens
- Efficacy Rating 122
- 90.79% lumen maintenance @ 54,000 hours and projected L70 @ 60,000 hours

Dimming, Voltage, Controls

- 0-10V dimming
- Universal voltage (120-277V)
- Factory installed OC sensor

SPECIFICATIONS

Construction

- Gray polycarbonate housing with stainless-steel latches
- Airtight seal prevents moisture and dirt from compromising the housing and damaging interior wires and components

Optics

- Non-yellowing high-impact resistant polycarbonate lens
- Frosted diffuser delivers even illumination and diminished glare

Installation

- Suspension and surface mounting kits included
- Link together up to 7 luminaires

Electrical

- 60,000 hour LEDs at L70 for reduced maintenance
- Operates at 120-277V, 50/60 Hz
- 0-10V dimming

Warranty

5-Year Standard Warranty. See terms at: [ETISSL.com/warranty/](https://www.etilighting.com/warranty/)



Cord Grip Included

Certifications & Test Data

- All luminaires are built to UL standards and have the appropriate UL labels and information on product
- Wet location—IP65 Rated
- Adheres to LM79, LM80, and TM21 industry standards for photometric, lumen maintenance and lifetime calculations
- DLC® (DesignLights Consortium) Listed. Please refer to DLC for specific product qualifications at www.designlights.org (See Page 2 for search info.)
- IC Rated
- Driver rated for FCC part 15 Class B for use in residential or commercial applications

KEY DATA	
Lumens	4120
Wattage	33.71
Efficacy (LPW)	122
Reported Life (Hours)	L70 / 60,000



CATALOG LOGIC

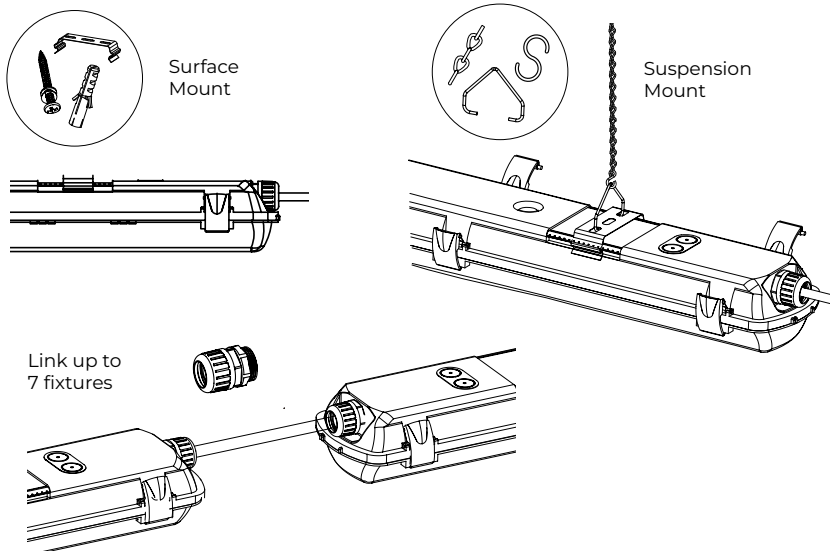
VT	-	4	-	31	-	840	-	MV	-	LVD	-	OS
Series		Size		Wattage		CRI	CCT	Voltage		Dimming		Sensor
VT Vapor Tight		4 (4 ft.)		31 (31W) (3600 Lumen Package)		8 80 CRI (min.)	40 4000K	MV Multi-Volt (120-277V)		LVD Low Voltage 0-10V Dimming		OS OC Sensor (Internal)

STANDARD STOCK ORDERING INFORMATION (typical 2-3 day shipment lead time)¹

Catalog Part Number	Order Number	Description	Lumen Package	Delivered Lumens ²	Nominal Wattage	Efficacy	CCT	CRI	Voltage	Dim	DLC
VT-4-31-840-MV-LVD-OS	54656241-I	4' Vapor Tight, 4000K with Motion Sensor	3600	4120	31	122	4000K	80+	120-277V	0-10V	Standard Search: 546562###-2I

Notes: 1. Stock SKUs typically ship in 24-48 hours upon receipt of an approved released order
 2. For more delivered lumens and test data see on page 3, or visit ETISSL.com

MOUNTING




Included with the product

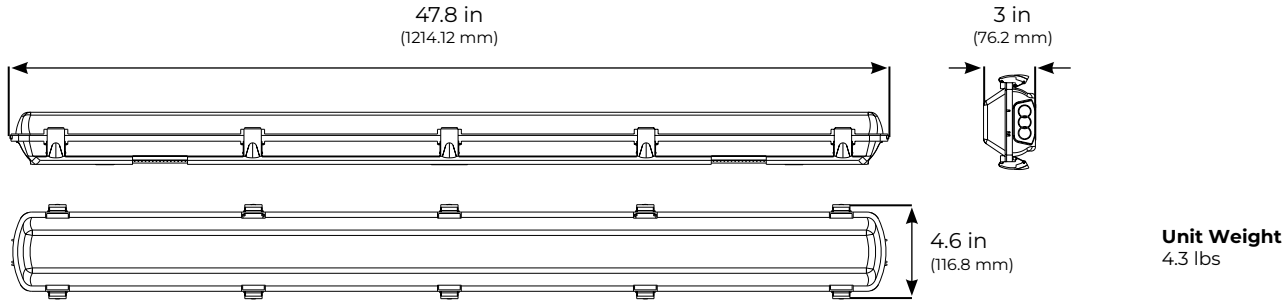


- Mounting Screws
- Dry Wall Anchors
- U Brackets
- V Clips
- Cord Grip
- 2 Suspension Chains
- S Hooks
- Wire Connectors

OC SENSOR INFORMATION

Description	Details
Internal Step Dimming Motion Sensor (90600144), Microwave with daylight sensor	 SPEC SHEET DOWNLOAD (located on ETISSL.com)

DIMENSIONS / DETAILS



PERFORMANCE / Data

Lumen Maintenance

Ambient Temp.	TM-21 Lumen Maintenance (54,000 hours)
25° C (77° F)	> 90.79%
Ambient Temp.	TM-21 Theoretical L70 (hours)
25° C (77° F)	60,000

Load Information

Power Factor	0.90
THD	< 20%
Frequency	50/60 Hz
Sound Rating	< 20 Dba
Low Temp Start / Max Temp	-30° C (-22° F) / 45° C (113° F)

PHOTOMETRIC SAMPLE



Luminaire Data: 4000K

CCT & CRI	4000K, 80+ CRI
Initial Delivered Lumens	4120
Wattage	33.71W
Efficacy	122
Beam Angle	50% = 135.9° 10% = 163.6°
Spacing	0° = 1.30 90° = 1.44

Photometric values based on tests performed in compliance with LM-63 & LM-79

Indoor Candela Plot

