

DATE:	PROJECT:
TYPE:	NOTES:
CATALOG #:	

## VFLL | VERSAFLOOD LARGE

7-PIN RECEPTACLE & SHORTING CAP

3 Lumen Boost® | 3 CCT Color Preference®

### KEY FEATURES

ETI SSL's high-lumen VersaFlood luminaires add versatility and convenience to outdoor projects. With field selectable lumens and CCTs: 3 Lumen Boost X 3 CCT X 2 mounting options included; It's like getting 18 lights in one!

#### CCT & Light Quality

- 3 Selectable CCTs (3000K, 4000K, 5000K)
- 80+ CRI

#### Light Output & Efficacy

- 3 Lumen Packages and 3 Lumen Boost Levels:

**Lumen Package 1:** 16000 – 32000 lm

**Lumen Package 2:** 24000 – 39000 lm

**Lumen Package 3:** 39000 – 50000 lm

- Efficacy: Up to 171 LPW

#### Dimming, Voltage, Controls

- 0–10V dimming to 10%
- Universal voltage (120-277V) is standard
- High voltage option (347-480V) also available
- 7-Pin Receptacle with Shorting Cap

### SPECIFICATIONS

#### Construction

- Corrosion resistant, rugged die-cast aluminum housing with bronze powder coat paint finish
- Integrated heat sink maximizes product life and performance
- Sealed housing provides protection—wet location IP65

#### Optics

- NEMA 7Hx6V distribution
- 3 Selectable Lumen Packages from 32000 to 50000 Lumens at highest wattage
- High impact UV stabilized acrylic outer lens protects LEDs and allows for easy cleaning and debris removal

#### Electrical, Operating Temp.

- Universal 120-277 VAC or 347-480 VAC input voltage, 50/60Hz
- Both drivers have a power factor >90%, THD <20%
- Operating Temperature Range: -40° C (-40° F) / 45° C (113° F)

#### Warranty

- Five-year limited warranty

KEY DATA	
Delivered Lumen Range	16281 – 50475
Wattage Range	100.8 – 341.1
Efficacy Range (LPW)	120 – 152
Reported Life (Hours)	L70 / > 50,000



Lumen Pkg.  
Sizes 1 & 2



Lumen Pkg.  
Size 3

#### Two Mounting Options Included:



Pre-Installed Slipfit  
Knuckle Mount



Trunnion  
Mount



#### Certifications & Test Data

- UL/cUL listed and built for wet location
- IP65 Rated
- DesignLights Consortium™ Qualified and classified for DLC Standard (all lumen packages), refer to [www.designlights.org](http://www.designlights.org) for details
- Estimated > 60,000 hours LED lifespan based on IES LM-70 results and TM-21 calculations



# VersaFlood Large LED Flood WITH 7-PIN RECEPTACLE & SHORTING CAP | 3 LUMEN BOOST® | 3 CCT COLOR PREFERENCE®

## ORDERING GUIDE

VFL	LB3	CP3	LVD	MM	7PR	SPD		
Series	Lumens (Lumen Package) <sup>1</sup>	Lumen Boost	CCT	Voltage	Dim.	Mounting	Controls	SPD
<b>VFL</b> VersaFlood Large	<b>1</b> 16000 – 32000 lm <b>2</b> 24000 – 39000 lm <b>3</b> 39000 – 50000 lm	<b>LB3</b> 3 Lumen Boost® <b>Lumen Pkg #1:</b> 100   150   205W <b>Lumen Pkg #2:</b> 150   200   255W <b>Lumen Pkg #3:</b> 250   290   330W	<b>CP3</b> 3 CCT Color Preference® 3/4/5000K	<b>MV</b> Multi-Volt 120-277V <b>HV</b> High-Volt 347-480V <sup>2</sup>	<b>LVD</b> Low Voltage Dimming 0-10V	<b>MM</b> Multi-Mount (knuckle & trunnion mount in carton)	<b>7PR</b> 7-Pin Receptacle w/ Shorting Cap	<b>SPD10</b> Factory-installed 10KV Surge Protection <sup>3</sup> <b>(Leave Blank)</b> No SPD

Notes: 1. Lumen package gives nominal range. See below for delivered lumen data.  
2. 347-480V Made to Order only. Lead times apply.  
3. Surge Protection for MV (120-277V) options only. Made to Order. Lead times apply.

## STOCK ORDERING INFORMATION

Catalog Part Number	Order Number	Description	CRI	CCT (CP3)	Wattage Level	Delivered Lumens <sup>1</sup>	LPW	Volt.	Dim	Bug Rating			DLC <sup>2</sup>	
										B	U	G		
VFL-1-LB3-CP3-MV-LVD-MM-7PR	60223101	VersaFlood, Large, Lumen Pkg 1	70+	3000K	205	29427	139	120-277V	0-10V	5	0	3	Premium	
					150	22898	147							
					100	16281	156							
					4000K	205	31533							159
						150	24492							165
						100	17216							171
					5000K	205	30259							143
						150	23995							154
						100	17179							164
VFL-2-LB3-CP3-MV-LVD-MM-7PR	60223201	VersaFlood, Large, Lumen Pkg 2	70+	3000K	255	35369	140	120-277V	0-10V	5	0	2	Premium	
					200	29542	146							
					150	23665	154							
				4000K	255	38492	160							
					200	31799	165							
					150	25066	170							
				5000K	255	37986	149							
					200	31293	154							
					150	24839	162							
VFL-3-LB3-CP3-MV-LVD-MM-7PR	60224101	VersaFlood, Large, Lumen Pkg 3	70+	3000K	330	45984	135	120-277V	0-10V	5	0	3	Premium	
					290	41870	138							
					250	37374	142							
				4000K	330	50475	156							
					290	45578	158							
					250	40139	161							
				5000K	330	49829	146							
					290	44484	145							
					250	39301	147							

Notes: 1. For more delivered lumens, download ies files from ETISSL.com  
2. DLC search by catalog part number

IES Pkg 1

IES Pkg 2

IES Pkg 3



# VersaFlood Large LED Flood WITH 7-PIN RECEPTACLE & SHORTING CAP | 3 LUMEN BOOST® | 3 CCT COLOR PREFERENCE®

## MOUNTING OPTIONS



### Included Mounting Options:



Pre-Installed Slipfit  
Knuckle Mount



Trunnion Mount

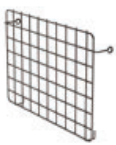
## MADE TO ORDER OPTIONS (Lead times apply)

Catalog Part Number	Order Number	Description
VFLL-1-LB3-CP3-MV-LVD-MM-7PR-SPD10	60223101-SPD10	VersaFlood, Large, Lumen Pkg 1, 120-277V with 10KV Surge Protection Device
VFLL-2-LB3-CP3-MV-LVD-MM-7PR-SPD10	60223201-SPD10	VersaFlood, Large, Lumen Pkg 2, 120-277V with 10KV Surge Protection Device
VFLL-3-LB3-CP3-MV-LVD-MM-7PR-SPD10	60224101-SPD10	VersaFlood, Large, Lumen Pkg 3, 120-277V with 10KV Surge Protection Device
VFLL-1-LB3-CP3-HV-LVD-MM-7PR	60223301	VersaFlood, Large, Lumen Pkg 1, 347-480V
VFLL-2-LB3-CP3-HV-LVD-MM-7PR	60223401	VersaFlood, Large, Lumen Pkg 2, 347-480V
VFLL-3-LB3-CP3-HV-LVD-MM-7PR	60224201	VersaFlood, Large, Lumen Pkg 3, 347-480V

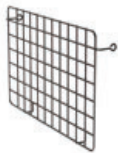
## ACCESSORIES (Order Separately, Field Install)

Catalog Part Number	Order Number	Description	Notes
7PR-PC	70218101	7 Pin Receptacle Photocell	For standard (120-277V) items
7PR-PC-480	70219101	7 Pin Receptacle Photocell 480VAC	For MTO 347-480V items
VFLL-WG-SM	70541101	VersaFlood Large Wire Guard Size 1 and 2	For VFLL-1-LB3-CP3-MV-LVD-MM-7PR or VFLL-2-LB3-CP3-MV-LVD-MM-7PR
VFLL-WG-LG	70542101	VersaFlood Large Wire Guard Size 3	For VFLL-3-LB3-CP3-MV-LVD-MM-7PR

### Wire Guards



Wire Guard  
Size 1 and 2  
VFLL-WG-SM

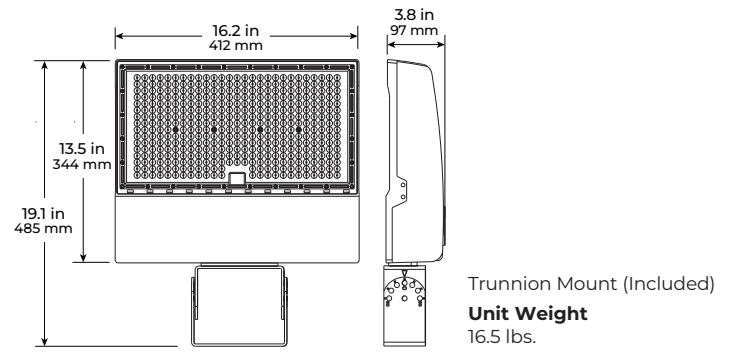
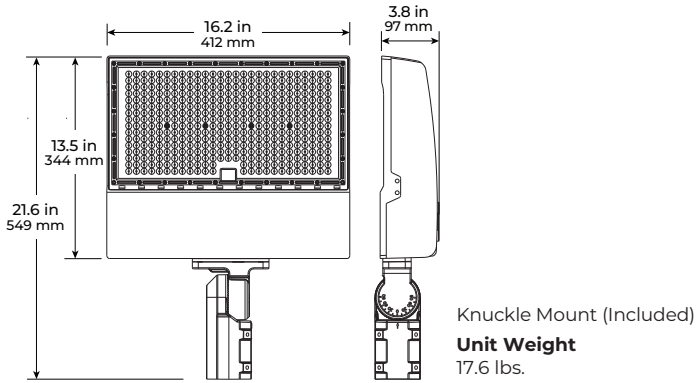


Wire Guard  
Size 3  
VFLL-WG-LG

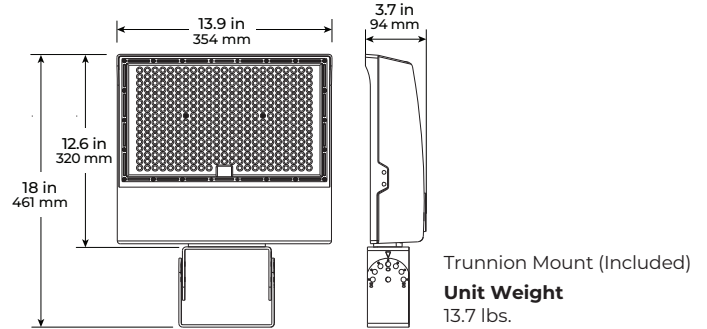
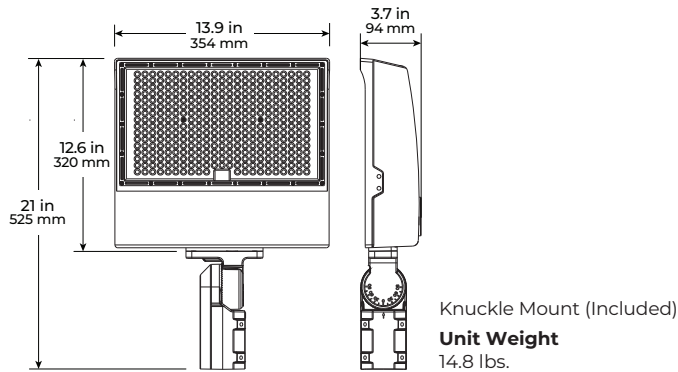
# VersaFlood Large LED Flood WITH 7-PIN RECEPTACLE & SHORTING CAP | 3 LUMEN BOOST® | 3 CCT COLOR PREFERENCE®

## DIMENSIONS / DETAILS

**Large** (Lumen Package Sizes 3)



**Medium** (Lumen Package Sizes 1 & 2)



## PERFORMANCE / Data


### Lumen Maintenance

Ambient Temp.	TM-21 Lumen Maintenance (54,000 hours)
25° C (77° F)	89.37%
Ambient Temp.	TM-21 Theoretical L70 (hours)
25° C (77° F)	> 60,000

### Load Information

<b>Power Factor</b>	≥0.9
<b>THD</b>	≤20%
<b>Frequency</b>	50/60 Hz
<b>Operating Humidity</b>	20% - 90% RH
<b>Low Temp Start / Max Temp</b>	-40° C (-40° F) / 45° C (113° F)

## EPA / DISTRIBUTION

Item	EPA	Distribution
	1 unit 	
VFLL-1	1.4 ft <sup>2</sup>	7HX6V
VFLL-2	1.4 ft <sup>2</sup>	7HX6V
VFLL-3	1.7 ft <sup>2</sup>	7HX6V

## DISTRIBUTION

