

DATE:	PROJECT:
TYPE:	NOTES:
CATALOG #:	

## CLHB | COMPACT LINEAR HIGH BAYS

3 LUMEN BOOST® | 2 CCT COLOR PREFERENCE®  
0-10V Dimming | Efficacy up to 154 LPW

### KEY FEATURES

Each CLHB Compact High Bay series combines a small profile with superior lumen output and has an excellent operating temperature range from -22°F to 122°F. Luminaires are both CCT and wattage selectable—offering flexibility and efficiency.

#### CCT & Light Quality

- 2 Selectable CCTs (4000K, 5000K), 80+ CRI

#### Light Output & Efficacy

- 3 Wattage Levels, 4 lumen packages:

**Lm Pkg 1:** 60 | 80 | 110W      **Lm Pkg 3:** 180 | 200 | 220W  
**Lm Pkg 2:** 120 | 140 | 165W      **Lm Pkg 4:** 240 | 280 | 300W

#### Dimming, Controls

- 0-10V dimming to 10%
- Emergency BBU, MTO Options available
- Plug-in Microwave and PIR Sensors available as separate order accessories

### SPECIFICATIONS

#### Construction

- Light weight Iron and Aluminum housing designed for durability
- Thermal Management: Fixture top is designed to maximize heat dissipation

#### Optics

- Frosted Polycarbonate lens provides excellent light quality

#### Installation

- 3' Chain & V-Hooks included for suspended mounting
- Additional mounting kits available as accessories:

Surface mount  
Pendant mount

- 3 LUMEN BOOST® / 2 CCT COLOR PREFERENCE® for easy field-adjustable lumen / CCT selection with switch located on back panel. Factory set to highest wattage and 5000K.

#### Electrical

- Rated Life (L70) Lumen Pkg. 1 & 2 > 95,000 hours  
Lumen Pkg. 3 & 4 > 90,000 hours
- High ambient temperature rating for demanding applications -30°C to 50°C (-22°F to 122°F)
- 120-277V and 347-480V options available, 50/60Hz
- Surge protection: 6kV Standard (10kVA MTO option available)
- 0-10V dimmable driver, down to 10%
- Ships at the highest wattage setting
- Power Cord with NEMA Twist Lock Plug MTO options available

#### Warranty

5-Year Standard Warranty. See terms at: [ETISSL.com/warranty/](https://etiSSL.com/warranty/)

KEY DATA	
Lm Range for Lm Pkg 1 (60-80-110W)	9462 – 15870
Lm Range for Lm Pkg 2 (120-140-165W)	17812 – 23589
Lm Range for Lm Pkg 3 (180-200-220W)	26808 – 31695
Lm Range for Lm Pkg 4 (240-280-300W)	35263 – 42269
Efficacy Range (LPW)	139 – 154
Reported Life (Hours) for Lm Pkg 1 & 2	L70 / > 95,000
Reported Life (Hours) for Lm Pkg 3 & 4	L70 / > 90,000



Plug-in Sensor  
Accessories  
Available



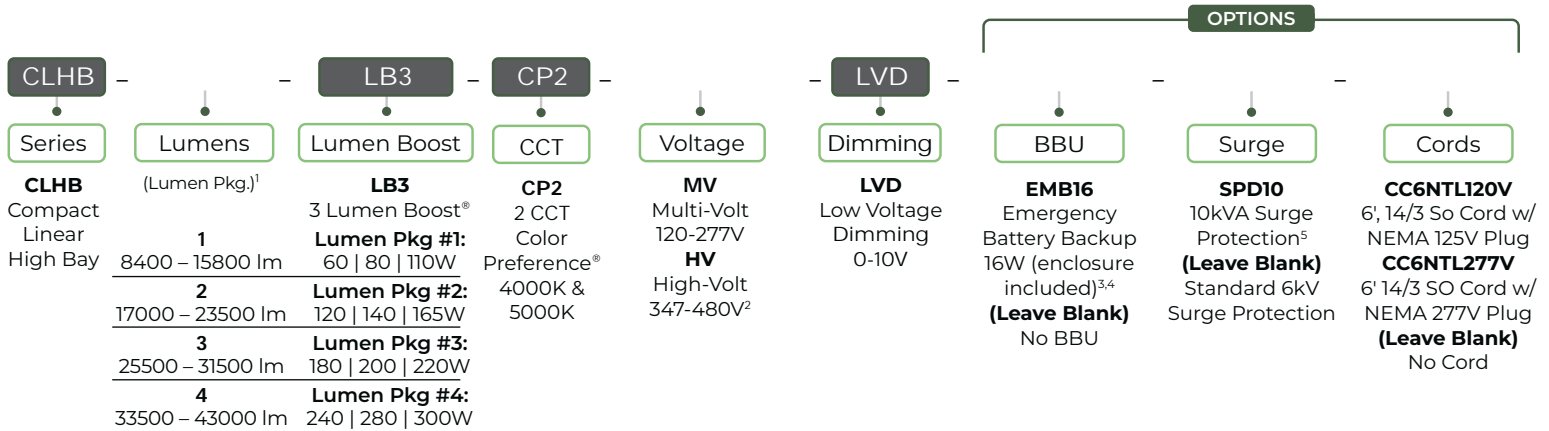
#### Certifications & Test Data

- cULus Listed. All luminaires are built to UL standards for performance and lifetime calculations
- Damp location rated, IP20
- Adheres to LM79, LM80, and TM21 industry standards for photometric, lumen maintenance and lifetime calculations
- DLC® (DesignLights Consortium) Premium. Please refer to DLC for specific product qualifications at [www.designlights.org](http://www.designlights.org)
- Driver rated for FCC part 15 Class B for use in residential or commercial applications



# Compact Linear High Bays 3 LUMEN BOOST® | 2 CCT COLOR PREFERENCE®

## ORDERING GUIDE



- Notes: 1. Lumen package ranges are approximate values. For actual lumen data, please see below.  
 2. High-Volt 347-480V MTO only. Lead times apply.  
 3. EMB16 BBU available for Multi-Volt models only. Made to Order—lead times apply.  
 4. EMB16 BBU not compatible with sensors QI-MW-OCC or QI-PIR-OCC.  
 5. Surge Protection MTO only. Lead times apply.

## STOCK ORDERING INFORMATION

Catalog Part Number	Order Number	Description	Dimming	CRI	CCT	Nominal Watts	Delivered Lumens <sup>1</sup>	Efficacy	DLC
<input type="checkbox"/> CLHB-1-LB3-CP2-MV-LVD	63821101	Compact Linear High Bay, Lumen Pkg 1	0-10V	80+	4000K	110	15477	140	Premium
						80	12008	148	
						60	9462	152	
					5000K	110	15870	140	
						80	12230	149	
						60	9736	154	
<input type="checkbox"/> CLHB-2-LB3-CP2-MV-LVD	63821201	Compact Linear High Bay, Lumen Pkg 2	0-10V	80+	4000K	165	23171	140	Premium
						140	20331	143	
						120	17812	146	
					5000K	165	23589	139	
						140	20750	143	
						120	18258	146	
<input type="checkbox"/> CLHB-3-LB3-CP2-MV-LVD	63822101	Compact Linear High Bay, Lumen Pkg 3	0-10V	80+	4000K	220	31268	142	Premium
						200	28922	145	
						180	26808	148	
					5000K	220	31695	140	
						200	29426	144	
						180	27111	147	
<input type="checkbox"/> CLHB-4-LB3-CP2-MV-LVD	63822201	Compact Linear High Bay, Lumen Pkg 4	0-10V	80+	4000K	300	42026	139	Premium
						280	39565	141	
						240	35263	145	
					5000K	300	42269	140	
						280	39964	139	
						240	35537	143	

Notes: 1. For more delivered lumens and test data on page 6, or visit ETISSL.com

## MADE-TO-ORDER BATTERY BACKUP OPTIONS (Longer lead times apply. Contact ETi for details.)

Catalog Part Number	Order Number	Description
<input type="checkbox"/> CLHB-1-LB3-CP2-MV-LVD-EMB16	63821101-EM	Compact Linear High Bay, Lumen Pkg 1 with Emergency BBU (16W)
<input type="checkbox"/> CLHB-2-LB3-CP2-MV-LVD-EMB16	63821201-EM	Compact Linear High Bay, Lumen Pkg 2 with Emergency BBU (16W)
<input type="checkbox"/> CLHB-3-LB3-CP2-MV-LVD-EMB16	63822101-EM	Compact Linear High Bay, Lumen Pkg 3 with Emergency BBU (16W)
<input type="checkbox"/> CLHB-4-LB3-CP2-MV-LVD-EMB16	63822201-EM	Compact Linear High Bay, Lumen Pkg 4 with Emergency BBU (16W)

## MADE-TO-ORDER HV (347-480VAC) OPTIONS (Longer lead times apply. Contact ETi for details.)

Catalog Part Number	Order Number	Description
<input type="checkbox"/> CLHB-1-LB3-CP2-HV-LVD	63821101-HV	Compact Linear High Bay, Lumen Pkg 1, 347-480V
<input type="checkbox"/> CLHB-2-LB3-CP2-HV-LVD	63821201-HV	Compact Linear High Bay, Lumen Pkg 2, 347-480V
<input type="checkbox"/> CLHB-3-LB3-CP2-HV-LVD	63822101-HV	Compact Linear High Bay, Lumen Pkg 3, 347-480V
<input type="checkbox"/> CLHB-4-LB3-CP2-HV-LVD	63822201-HV	Compact Linear High Bay, Lumen Pkg 4, 347-480V

## MADE-TO-ORDER PLUG OPTIONS (Longer lead times apply. Contact ETi for details.)

Catalog Part Number	Order Number	Description
<input type="checkbox"/> CLHB-1-LB3-CP2-MV-LVD-CC6NTL120V	63821101-CC6NTL120V	Compact Linear High Bay, Lumen Pkg 1 with 6', 14/3 cord w/ NEMA Twist Lock L5-15 (125V) Plug
<input type="checkbox"/> CLHB-2-LB3-CP2-MV-LVD-CC6NTL120V	63821201-CC6NTL120V	Compact Linear High Bay, Lumen Pkg 2 with 6', 14/3 cord w/ NEMA Twist Lock L5-15 (125V) Plug
<input type="checkbox"/> CLHB-3-LB3-CP2-MV-LVD-CC6NTL120V	63822101-CC6NTL120V	Compact Linear High Bay, Lumen Pkg 3 with 6', 14/3 cord w/ NEMA Twist Lock L5-15 (125V) Plug
<input type="checkbox"/> CLHB-4-LB3-CP2-MV-LVD-CC6NTL120V	63822201-CC6NTL120V	Compact Linear High Bay, Lumen Pkg 4 with 6', 14/3 cord w/ NEMA Twist Lock L5-15 (125V) Plug
<input type="checkbox"/> CLHB-1-LB3-CP2-MV-LVD-CC6NTL277V	63821101-CC6NTL277V	Compact Linear High Bay, Lumen Pkg 1 with 6', 14/3 cord w/ NEMA Twist Lock L5-15 (277V) Plug
<input type="checkbox"/> CLHB-2-LB3-CP2-MV-LVD-CC6NTL277V	63821201-CC6NTL277V	Compact Linear High Bay, Lumen Pkg 2 with 6', 14/3 cord w/ NEMA Twist Lock L5-15 (277V) Plug
<input type="checkbox"/> CLHB-3-LB3-CP2-MV-LVD-CC6NTL277V	63822101-CC6NTL277V	Compact Linear High Bay, Lumen Pkg 3 with 6', 14/3 cord w/ NEMA Twist Lock L5-15 (277V) Plug
<input type="checkbox"/> CLHB-4-LB3-CP2-MV-LVD-CC6NTL277V	63822201-CC6NTL277V	Compact Linear High Bay, Lumen Pkg 4 with 6', 14/3 cord w/ NEMA Twist Lock L5-15 (277V) Plug

## MADE-TO-ORDER SURGE PROTECTION OPTIONS (Longer lead times apply. Contact ETi for details.)

Catalog Part Number	Order Number	Description
<input type="checkbox"/> CLHB-1-LB3-CP2-MV-LVD-SPD10	63821101-SPD10	Compact Linear High Bay, Lumen Pkg 1 with 10kVA Surge Protection
<input type="checkbox"/> CLHB-2-LB3-CP2-MV-LVD-SPD10	63821201-SPD10	Compact Linear High Bay, Lumen Pkg 2 with 10kVA Surge Protection
<input type="checkbox"/> CLHB-3-LB3-CP2-MV-LVD-SPD10	63822101-SPD10	Compact Linear High Bay, Lumen Pkg 3 with 10kVA Surge Protection
<input type="checkbox"/> CLHB-4-LB3-CP2-MV-LVD-SPD10	63822201-SPD10	Compact Linear High Bay, Lumen Pkg 4 with 10kVA Surge Protection

# Compact Linear High Bays 3 LUMEN BOOST® | 2 CCT COLOR PREFERENCE®

**MADE-TO-ORDER SURGE PROTECTION WITH PLUG OPTIONS** (Longer lead times apply. Contact ETI for details.)

Catalog Part Number	Order Number	Description
<input type="checkbox"/> CLHB-1-LB3-CP2-MV-LVD-SPD10-CC6NTL120V	63821101-SPD10-CC6NTL120V	Compact Linear High Bay, Lumen Pkg 1 with 10kVA Surge Protection and 6', 14/3 cord w/ NEMA Twist Lock L5-15 (125V) Plug
<input type="checkbox"/> CLHB-2-LB3-CP2-MV-LVD-SPD10-CC6NTL120V	63821201-SPD10-CC6NTL120V	Compact Linear High Bay, Lumen Pkg 2 with 10kVA Surge Protection and 6', 14/3 cord w/ NEMA Twist Lock L5-15 (125V) Plug
<input type="checkbox"/> CLHB-3-LB3-CP2-MV-LVD-SPD10-CC6NTL120V	63822101-SPD10-CC6NTL120V	Compact Linear High Bay, Lumen Pkg 3 with 10kVA Surge Protection and 6', 14/3 cord w/ NEMA Twist Lock L5-15 (125V) Plug
<input type="checkbox"/> CLHB-4-LB3-CP2-MV-LVD-SPD10-CC6NTL120V	63822201-SPD10-CC6NTL120V	Compact Linear High Bay, Lumen Pkg 4 with 10kVA Surge Protection and 6', 14/3 cord w/ NEMA Twist Lock L5-15 (125V) Plug
<input type="checkbox"/> CLHB-1-LB3-CP2-MV-LVD-SPD10-CC6NTL277V	63821101-SPD10-CC6NTL277V	Compact Linear High Bay, Lumen Pkg 1 with 10kVA Surge Protection and 6', 14/3 cord w/ NEMA Twist Lock L5-15 (277V) Plug
<input type="checkbox"/> CLHB-2-LB3-CP2-MV-LVD-SPD10-CC6NTL277V	63821201-SPD10-CC6NTL277V	Compact Linear High Bay, Lumen Pkg 2 with 10kVA Surge Protection and 6', 14/3 cord w/ NEMA Twist Lock L5-15 (277V) Plug
<input type="checkbox"/> CLHB-3-LB3-CP2-MV-LVD-SPD10-CC6NTL277V	63822101-SPD10-CC6NTL277V	Compact Linear High Bay, Lumen Pkg 3 with 10kVA Surge Protection and 6', 14/3 cord w/ NEMA Twist Lock L5-15 (277V) Plug
<input type="checkbox"/> CLHB-4-LB3-CP2-MV-LVD-SPD10-CC6NTL277V	63822201-SPD10-CC6NTL277V	Compact Linear High Bay, Lumen Pkg 4 with 10kVA Surge Protection and 6', 14/3 cord w/ NEMA Twist Lock L5-15 (277V) Plug

ACCESSORIES (must be ordered separately, field installed)

Occupancy Sensor<sup>1,2,3</sup>  **Not compatible with MTO BBU Products**

Catalog Part Number	Order Number	Description
<input type="checkbox"/> QI-MW-OCC	70211101	Plug-In Microwave OC Sensor <a href="#">SPEC SHEET DOWNLOAD</a>
<input type="checkbox"/> QI-PIR-OCC	70226101	Plug-In PIR OC Sensor 0-10V Dimming, 12-24 VDC <a href="#">SPEC SHEET DOWNLOAD</a>
<input type="checkbox"/> BCB-RCOP	70224101	Sensor Remote Control Programmer <a href="#">SPEC SHEET DOWNLOAD</a>



Remote Control Programmer  
(for QI-MW-OCC and QI-PIR-OCC)  
BCB-RCOP

- Notes: 1. Factory OC sensor settings can be changed w/ (BCB-RCOP) handheld remote programmer accessory. (must be ordered separately)  
2. QI-MW-OCC Default setting;  
100% sensitivity, 5 min. hold time, Daylight sensor is ON, Dimming level: 30%, Dimming time: 60 minutes  
3. QI-PIR-OCC Default setting;  
100% sensitivity, 5 min. hold time, Daylight sensor is ON, Dimming level: 30%, Dimming time: 60 minutes

Mounting Kits and Wire Guards

Catalog Part Number	Order Number	Description
<input type="checkbox"/> CLHB-SMK	70532101	Compact Linear High Bay Surface Mount Kit
<input type="checkbox"/> CLHB-PMK	70533101	Compact Linear High Bay Pendant Mount Kit
<input type="checkbox"/> CLHB-WG12	70543101	Compact Linear High Bay Wire Guard for CLHB-1 & CLHB-2
<input type="checkbox"/> CLHB-WG34	70544101	Compact Linear High Bay Wire Guard (Fits CLHB-3 & CLHB-4)



Surface Mount Kit  
CLHB-SMK



Pendant Mount Kit  
CLHB-PMK



Wire Guard for Lumen Pkg. Sizes 3&4  
CLHB-WG34



Wire Guard for Lumen Pkg. Sizes 1&2  
CLHB-WG12

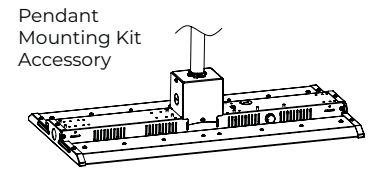
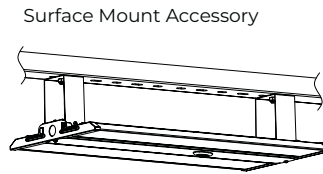
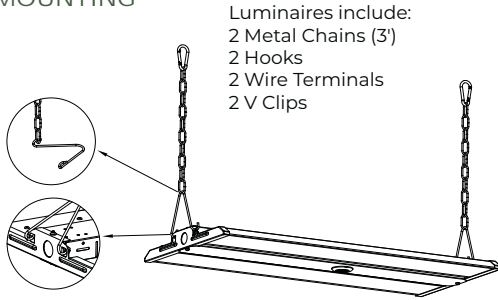


ETI Solid State Lighting  
720 Northgate Parkway, Wheeling, IL 60090 | TEL: 1.855.384.7754  
E-mail: ETIorders@ETISSL.com | ETISSL.com

All specifications are subject to change without notice.  
All reported values are typical, measured under laboratory conditions @ 25° C (77° F).  
Actual performance can vary slightly as a result of end-user application & environment.

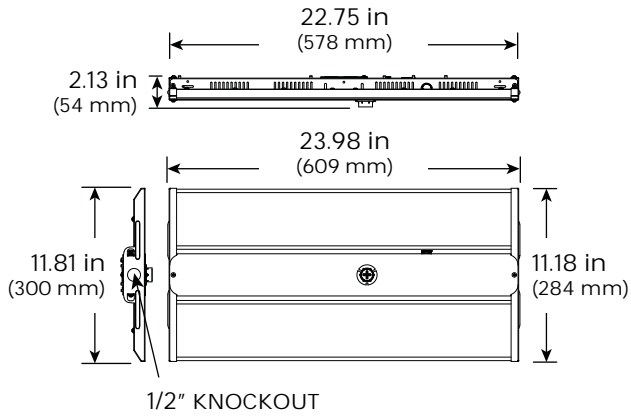
# Compact Linear High Bays 3 LUMEN BOOST® | 2 CCT COLOR PREFERENCE®

## MOUNTING



## DIMENSIONS / DETAILS

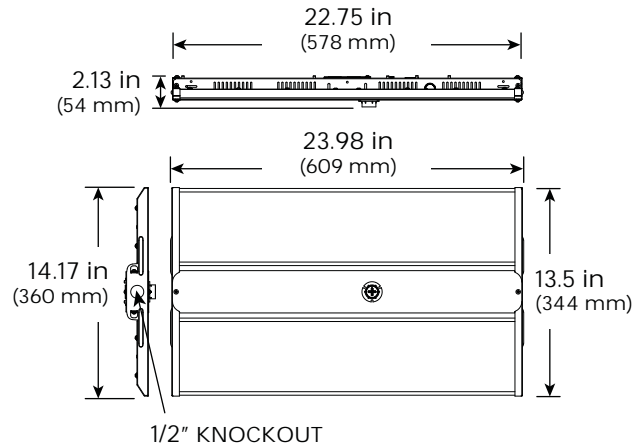
### Lumen Pkg. Sizes 1 & 2



#### Unit Weight

Lumen Pkg. 1: 5.29 lbs  
 Lumen Pkg. 2: 5.51 lbs

### Lumen Pkg. Sizes 3 & 4



#### Unit Weight

Lumen Pkg. 3: 6.39 lbs  
 Lumen Pkg. 4: 6.83 lbs

## PERFORMANCE / DATA

### Lumen Maintenance

Ambient Temp.	TM-21 Lumen Maintenance (54,000 hours)
25° C (77° F)	88.28%
Ambient Temp.	TM-21 Theoretical L70 (hours)
25° C (77° F)	CLHB-1, CLHB-2 > 95,000   CLHB-3, CLHB-4 > 90,000

### Load Information

Power Factor	.90
THD	< 20%
Frequency	50/60 Hz
Low Temp Start / Max Temp	-30° C (-22° F) / 50° C (122° F)

## PHOTOMETRIC SAMPLES

LUMEN PKG 1

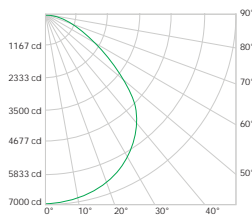
CLHB-1-LB3-CP2-MV-LVD, 100W

### Luminaire Data

CCT & CRI	<b>5000K, 80CRI minimum</b>
Initial Delivered Lumens	<b>15870</b>
Wattage	<b>113.2W</b>
Efficacy	<b>140</b>
Beam Angle	<b>50% = 87° 10% = 102°</b>
Spacing	<b>0° = 1.24 90° = 1.28</b>

Photometric values based on tests performed in compliance with LM-63 & LM-79

### Indoor Candela Plot



### Zonal Lumen Summary

Zone	Lumens	% Luminaire
0-30	5375	33.9%
0-40	8737	55.1%
0-60	13761	86.7%
0-90	15870	100%

LUMEN PKG 2

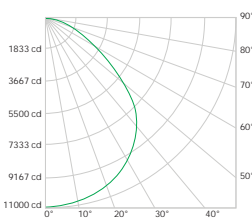
CLHB-2-LB3-CP2-MV-LVD, 165W

### Luminaire Data

CCT & CRI	<b>5000K, 80CRI minimum</b>
Initial Delivered Lumens	<b>23589</b>
Wattage	<b>169.6W</b>
Efficacy	<b>139.0</b>
Beam Angle	<b>50% = 87° 10% = 102°</b>
Spacing	<b>0° = 1.24 90° = 1.28</b>

Photometric values based on tests performed in compliance with LM-63 & LM-79

### Indoor Candela Plot



### Zonal Lumen Summary

Zone	Lumens	% Luminaire
0-30	8004	33.9%
0-40	13008	55.1%
0-60	20469	86.7%
0-90	23589	100%

LUMEN PKG 3

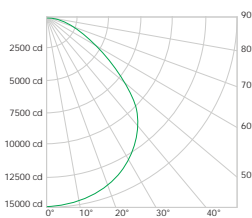
CLHB-3-LB3-CP2-MV-LVD, 220W

### Luminaire Data

CCT & CRI	<b>5000K, 80CRI minimum</b>
Initial Delivered Lumens	<b>31695</b>
Wattage	<b>225.1W</b>
Efficacy	<b>141</b>
Beam Angle	<b>50% = 87° 10% = 94°</b>
Spacing	<b>0° = 1.24 90° = 1.28</b>

Photometric values based on tests performed in compliance with LM-63 & LM-79

### Indoor Candela Plot



### Zonal Lumen Summary

Zone	Lumens	% Luminaire
0-30	11230	35.4%
0-40	18123	57.2%
0-60	27500	86.8%
0-90	31695	100%

LUMEN PKG 4

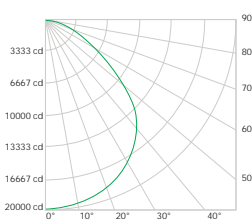
CLHB-4-LB3-CP2-MV-LVD, 300W

### Luminaire Data

CCT & CRI	<b>5000K, 80CRI minimum</b>
Initial Delivered Lumens	<b>42269</b>
Wattage	<b>300.3W</b>
Efficacy	<b>141</b>
Beam Angle	<b>50% = 90° 10% = 159°</b>
Spacing	<b>0° = 1.25 90° = 1.26</b>

Photometric values based on tests performed in compliance with LM-63 & LM-79

### Indoor Candela Plot



### Zonal Lumen Summary

Zone	Lumens	% Luminaire
0-30	15294	36.2%
0-40	24595	58.2%
0-60	36900	87.3%
0-90	42268	100%