

DATE:	PROJECT:
TYPE:	NOTES:
CATALOG #:	

SP | 7" HIGH OUTPUT ADJUSTABLE TRI-PANEL SPINLIGHT®

4000K | 120V

KEY FEATURES

High Output Adjustable Tri-Panel SpinLight® is a new addition to the SpinLight Family. It has been designed to retrofit existing E26 medium base socket lamp holders without any wiring.

- This patented SpinLight® converts a bare lamp holder into a high-performing, energy-efficient, LED flush mount ceiling light
- Compact design that twists into most E26 medium based socket/lamp holder (hardwire option with E26 adapter included)
- 3 independent panels to direct light where desired
- Over 50% energy savings compared to CFL lamps

SPECIFICATIONS

Construction

- Aluminum Housing with black and silver finish

Light Quality

- 4000K
- 80+ CRI

Optics

- 3 adjustable light panels delivering over 1160 lumens each
- Clear Polycarbonate lens
- High output, uniform light performance

Installation

- Twists into most E26 medium based socket/lamp holder (integrated E26 base)
- Also includes a SPEEDMOUNT® bracket for remodel and new construction installations—converts a junction box into a lamp holder

Electrical

- >54,000 hour LEDs at L70 for reduced maintenance
- Operates at 120V, 60Hz
- Operating temperature: -20°C (-4°F) / 45°C (113°F)
- Non-Dimmable

Warranty

5-Year Standard Warranty. See terms at: ETISSL.com/warranty/



3 independent panels
adjust to direct light
where desired



SpinLight®
E26 Base on
back of Fixture



SPEEDMOUNT®
Bracket included

spinLight®



Certifications & Test Data

- UL Listed
- Damp location rated
- ENERGY STAR® rated (See Page 2 for search info.)
- Driver rated for FCC part 15 Class B for use in residential or commercial applications



KEY DATA	
Lumen	3670
Wattage	29.5
Efficacy (LPW)	125
Reported Life (Hours)	L70 / > 54,000

7" High Output Adjustable Tri-Panel SpinLight®

CATALOG LOGIC

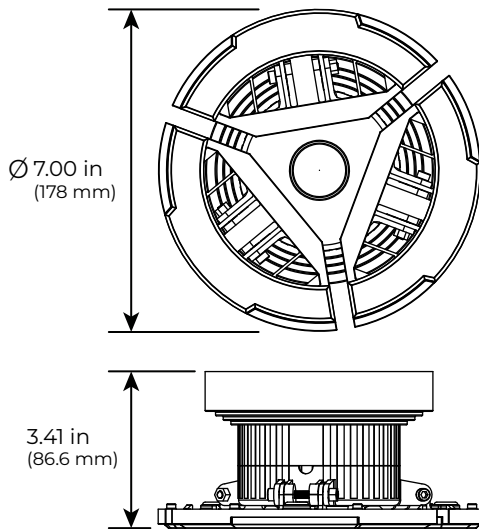
SL	-	7IN	-	3500	-	8	-	40K	-	SV	-	N
Series		Size		Lumens		CRI		CCT		Voltage		Dimming
SL Spin Light		7IN (7" Dia)		3500 (Lumen Package)		8 80CRI (min.)		40K 4000K		SV Single-Volt 120V		N Non- Dimmable

STOCK ORDERING INFORMATION

Catalog Part Number	Order Number	Size (Dia)	Case QTY	Lumen Package	Delivered Lumens ²	Wattage (Nominal)	Efficacy	CCT	CRI	Voltage	Dim	ENERGY STAR®
SL-7IN-3500LM-8-40K-SV-N	566011420	7"	2	3500	3670	30	125	4000K	80+	120V	Non-Dim	Search 566011###

Notes: 1. For more delivered lumens and test data see below, or visit ETISSL.com

DIMENSIONS / DETAILS



Unit Weight
0.26 lbs.

MOUNTING (Included)

SpinLight®

QUICK AND EASY INSTALLATION



Easily twists into existing lamp holder, just like a light bulb

- Included:
- SpeedMount™ Socket
 - Mounting Plate Screws
 - Wire Connectors



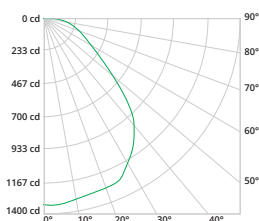
PHOTOMETRIC SAMPLE

Luminaire Data:

CCT & CRI	4000K, 80+ CRI
Delivered Lumens	3670
Wattage	29.5W
Efficacy	125
Spacing	0° = 1.28 90° = 1.28

Photometric values based on tests performed in compliance with LM-63 & LM-79

Candela Plot (down position)



PERFORMANCE / DATA

Lumen Maintenance

Ambient Temp.	TM-21 Lumen Maintenance (54,000 hours)
25° C (77° F)	83.62%
Ambient Temp.	TM-21 Theoretical L70 (hours)
25° C (77° F)	> 54,000

Load Information

Power Factor	.90
THD	< 20%
Frequency	60 Hz
Low Temp Start / Max Temp	-20° C (-4° F) / 45° C (113° F)



ETI Solid State Lighting
720 Northgate Parkway, Wheeling, IL 60090 | TEL: 1.855.384.7754
E-mail: ETIorders@ETISSL.com | ETISSL.com

All specifications are subject to change without notice. All reported values are typical values, measured under laboratory conditions @ 25° C (77° F). Actual performance can vary slightly as a result of end-user application & environment.