

ALCD | ALTAIR CANLESS DOWNLIGHTS
ALCG | ALTAIR GIMBAL CANLESS DOWNLIGHTS
 5 CCT COLOR PREFERENCE® | J-BOX MOUNT

KEY FEATURES

- Luminaire uses ETI Lighting's patented Color Preference with 5 Selectable CCTs (2700K, 3000K, 3500K, 4000K, 5000K)
- 90+ CRI (JA8 Title 24 Compliant)
- Smaller trim ring for enhanced optical performance
- IC Rated for maximum thermal management
- Single-Volt and Multi-Volt options available
- TRIAC Dimming (120V), or 0-10V Dimming (120-277V)
- Wet location

SPECIFICATIONS

Construction

- ALCD items: Durable die-cast aluminum low profile trim with ¼" surface profile
- ALCG items: High impact plastic housing with gimbal
- Suitable for IC or Non-IC applications
- Matte white finish
- Optional Black and Satin Nickel magnetic non-conductive trim accessories for ALCD models only

Optics

- High impact, polymer diffuser lens for zero pixelation and overall visual comfort
- Uniform, even light distribution
- Gimbal canless downlights offers 355° rotation and 25° tilt

Installation

- Two low-profile spring retention clips for a secure fit—no need for a separate recessed housing or junction box
- Easy to installed and service from below the mounting/ceiling surface
- Minimum 2" plenum space required to install the remote driver box
- Field select one of five CCTs at installation with an integral switch accessible on J-Box. Factory set to 2700K.

Electrical

- > 110,000 hour LEDs at L70 for reduced maintenance
- Operates at 120V, 60Hz or 120-277V, 50/60Hz
- TRIAC dimming, down to 10%* (120V), or 0-10V Dimming (120-277V)
- Operating Temperature: -4°F to 104°F (-20°C to 40°C)
- ETI's patented 5 CCT COLOR PREFERENCE® allows for easy field-adjustable color temperature selection with switch located on J-Box

* Always consult dimmer manufacturer for proper use, installation and compatibility (some dimmers may require a neutral in the wall box).

Warranty

5-Year Standard Warranty. See terms at: [ETISSL.com/warranty/](https://www.etilighting.com/warranty/)

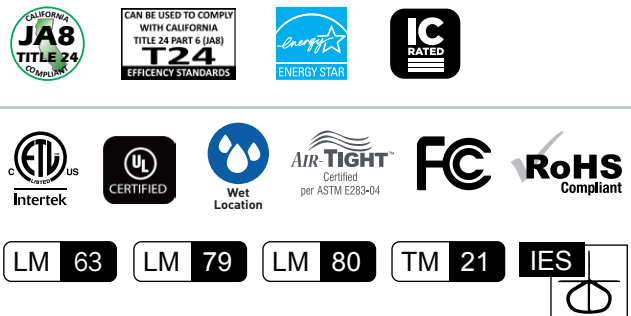
KEY DATA	
LUMEN RANGE	811 – 1808
WATTAGE RANGE	7.6 – 18.3
EFFICACY RANGE (LPW)	91-109 (BASED ON 3500K)
REPORTED LIFE (HOURS)	L70 / > 110,000

DATE:	PROJECT:
TYPE:	NOTES:
CATALOG #:	



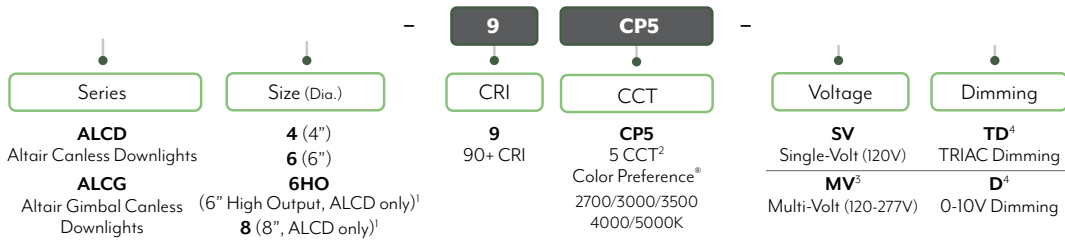
Certifications & Test Data

- ALCD items are ETL Listed
- ALCG are UL Listed (US/C)
- Wet location
- Adheres to LM63, LM79, LM80 and TM21 industry standards for photometric, lumen maintenance and lifetime calculations
- ENERGY STAR® rated (See Page 3 for search info.)
- Product can be used to comply with California Title 24 Efficiency Standards
- JA8 Title 24 Compliant
- IC Rated for direct contact with insulation



ALCD | ALTAIR CANLESS DOWNLIGHTS / ALCG | ALTAIR GIMBAL CANLESS DOWNLIGHTS

CATALOG LOGIC



Notes:

- ALCD available in all size options
ALCG available in 4" or 6" (4, 6) only.
- Factory set at 2700K. Installing contractor responsible for ensuring desired CCT is selected during installation.
- Multi-Volt option is for ALCD Only.
- Single-Volt is TRIAC Dimming Only, Multi-Volt is 0-10V Dimming Only.

STOCK ORDERING INFORMATION

CATALOG PART NUMBER	ORDER NUMBER	DESCRIPTION (DIA)	CASE QTY	CRI	CCT (CP5)	WATTS (NOM.)	LUMEN PKG. ¹	DELIVERED LUMENS	LPW	VOLTAGE	DIM	ENERGY STAR ²
SINGLE VOLT (120V), TRIAC DIM												
ALCD-4-9CP5-SV-TD	63322101	4" Altair Canless Downlight, 120V, TRIAC Dim	6	90+	2700K	10	800	811	82	120V	TRIAC	YES
					3000K	10	800	851	86			
					3500K	10	800	887	91			
					4000K	10	800	889	91			
					5000K	10	800	845	85			
ALCD-6-9CP5-SV-TD	63323101	6" Altair Canless Downlight, 120V, TRIAC Dim	6	90+	2700K	10	800	831	85	120V	TRIAC	YES
					3000K	10	800	861	88			
					3500K	10	800	893	93			
					4000K	10	800	898	93			
					5000K	10	800	867	88			
ALCD-6HO-9CP5-SV-TD	63323301	6" High Output Altair Canless Downlight, 120V, TRIAC Dim	6	90+	2700K	14	1200	1223	95	120V	TRIAC	YES
					3000K	14	1200	1251	98			
					3500K	14	1200	1288	102			
					4000K	14	1200	1279	101			
					5000K	14	1200	1232	96			
ALCD-8-9CP5-SV-TD	63324101	8" Altair Canless Downlight, 120V, TRIAC Dim	6	90+	2700K	19	1600	1683	92	120V	TRIAC	YES
					3000K	19	1600	1743	96			
					3500K	19	1600	1830	103			
					4000K	19	1600	1843	103			
					5000K	19	1600	1759	96			
ALCG-4-9CP5-SV-TD	63325101	4" Altair Gimbal Canless Downlight, 120V, TRIAC Dim	8	90+	2700K	8	650	699	90	120V	TRIAC	YES
					3000K	8	650	735	95			
					3500K	8	650	759	100			
					4000K	8	650	768	101			
					5000K	8	650	749	96			
ALCG-6-9CP5-SV-TD	63326101	6" Altair Gimbal Canless Downlight, 120V, TRIAC Dim	8	90+	2700K	12	950	1028	90	120V	TRIAC	YES
					3000K	12	950	1078	96			
					3500K	12	950	1120	102			
					4000K	12	950	1136	102			
					5000K	12	950	1109	96			
MULTI-VOLT (120-277V), 0-10V DIM												
ALCD-4-9CP5-MV-D	63322201	4" Altair Canless Downlight, 120-277V, 0-10V Dim	6	90+	2700K	10	800	825	83	120-277V	0-10V	YES
					3000K	10	800	873	89			
					3500K	10	800	900	94			
					4000K	10	800	890	92			
					5000K	10	800	842	86			
ALCD-6-9CP5-MV-D	63323201	6" Altair Canless Downlight, 120-277V, 0-10V Dim	6	90+	2700K	10	800	828	83	120-277V	0-10V	YES
					3000K	10	800	872	87			
					3500K	10	800	906	92			
					4000K	10	800	908	91			
					5000K	10	800	876	88			
ALCD-6HO-9CP5-MV-D	63323401	6" High Output Altair Canless Downlight, 120-277V, 0-10V Dim	6	90+	2700K	14	1200	1258	93	120-277V	0-10V	YES
					3000K	14	1200	1305	97			
					3500K	14	1200	1355	103			
					4000K	14	1200	1350	101			
					5000K	14	1200	1296	95			
ALCD-8-9CP5-MV-D	63324201	8" Altair Canless Downlight, 120-277V, 0-10V Dim	6	90+	2700K	17	1600	1651	99	120-277V	0-10V	YES
					3000K	17	1600	1712	103			
					3500K	17	1600	1795	109			
					4000K	17	1600	1808	110			
					5000K	17	1600	1740	104			









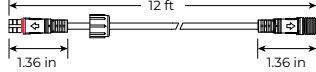
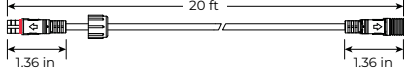

Notes: 1. For more delivered lumens and test data see pages 3-5, or visit ETISSL.com 2. ENERGY STAR[®] search catalog part number. Example: ALCD-4-9CP5-SV-TD



ETI Lighting
720 Northgate Parkway, Wheeling, IL 60090 | TEL: 1.855.384.7754
E-mail: ETIorders@ETISSL.com | ETISSL.com

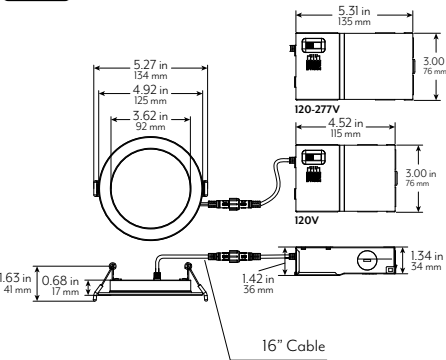
All specifications are subject to change without notice.
All reported values are typical values, measured under laboratory conditions @ 25° C (77° F).
Actual performance can vary slightly as a result of end-user application & environment.

AVAILABLE STOCK ACCESSORIES (must be ordered separately, field installed)

Catalog Part Number	Order Number	Description	Details
ALCD-4IN-TRIM-B	70567101	ALCD 4in Black Trim	 BLACK  SATIN NICKEL
ALCD-4IN-TRIM-BN	70568101	ALCD 4in Satin Nickel Trim	
ALCD-6IN-TRIM-B	70569101	ALCD 6in Black Trim	 BLACK  SATIN NICKEL
ALCD-6IN-TRIM-BN	70570101	ALCD 6in Satin Nickel Trim	
ALCD-8IN-TRIM-B	70571101	ALCD 8in Black Trim	 BLACK  SATIN NICKEL
ALCD-8IN-TRIM-BN	70572101	ALCD 8in Satin Nickel Trim	
DLGP-U	70566101	3"/4"/6"/8" Universal Guide-In Plate	
DLGPB-U	70565101	3"/4"/6"/8" Universal Guide-In Plate with Bar Hangers	
FRCDL-12FT-EXTENCORD	70232101	12-ft Extension Cable	3-Pin 
FRCDL-20FT-EXTENCORD	70233101	20-ft Extension Cable	3-Pin 
EMA25FY-170	70112202-2	Square Emergency LED Driver BBU 25W, IP rated, 90 min	 BBU's certified in CA Title 20 MAEDBS Search: EMA25FY-170 INFORMATION

DIMENSIONS / DETAILS

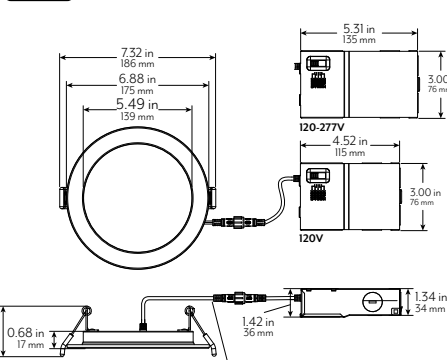
4IN



Unit Weight
0.79 lbs.

Ceiling Opening
4.09" Diameter

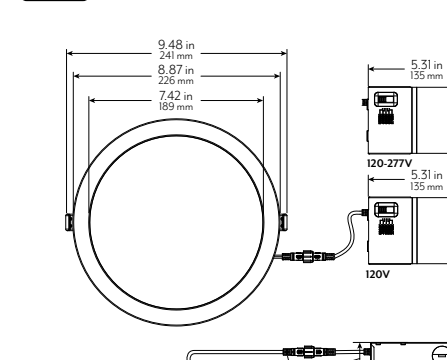
6IN



Unit Weight
1.02 lbs.

Ceiling Opening
6.06" Diameter


8IN



Unit Weight
1.54 lbs.

Ceiling Opening
8.03" Diameter

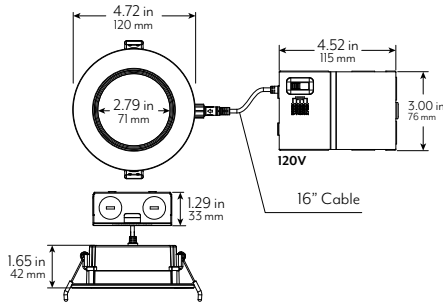
Cable Length 16"



Ships at 2700K

ALCG

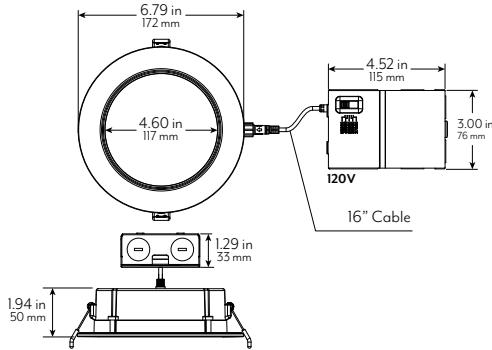
4IN



Unit Weight
0.88 lb.

Ceiling Opening
4.09" Diameter

6IN



Unit Weight
1.21 lbs.

Ceiling Opening
6.06" Diameter



Ships at 2700K



Cable Length 16"

PERFORMANCE / Data

Lumen Maintenance

Ambient Temp.	TM-21 Lumen Maintenance (54,000 hours)
25° C (77° F)	> 85%
Ambient Temp.	TM-21 Theoretical L70 (hours)
25° C (77° F)	> 110,000

Load Information

Power Factor	> 0.90
THD	< 20%
Frequency	60 Hz
Operating Temperature Range	-4°F to 104°F (-20°C to 40°C)

PHOTOMETRIC SAMPLES

ALCD

4IN, SV

Luminaire Data: 120V
ALCD-4-9CP5-SV-TD, 3500K

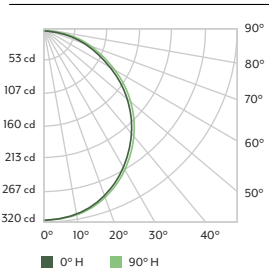
CCT & CRI	3500K, 90+ CRI
DELIVERED LUMENS	887
WATTAGE	9.7W
EFFICACY	91
BEAM ANGLE	50%=161.4° 10%=110.3°
SPACING	0° = 1.24 90° = 1.25

Photometric values based on tests performed in compliance with LM-63 & LM-79

Zonal Lumen Summary

Zone	Lumens	% Luminaire
0-30	244.9	27.6%
0-40	399.7	45.1%
0-60	700.9	79.1%
0-90	886.6	100.0%

Candela Plot



110°
Beam Angle

4IN, MV

Luminaire Data: 120-277V
ALCD-4-9CP5-MV-D, 3500K

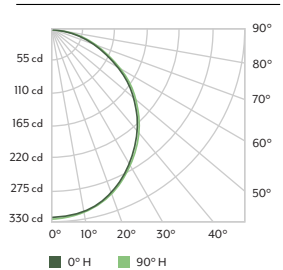
CCT & CRI	3500K, 90+ CRI
DELIVERED LUMENS	900
WATTAGE	9.6W
EFFICACY	94
BEAM ANGLE	50%=110.0° 10%=161.5°
SPACING	0° = 1.23 90° = 1.25

Photometric values based on tests performed in compliance with LM-63 & LM-79

Zonal Lumen Summary

Zone	Lumens	% Luminaire
0-30	284.9	27.7%
0-40	406.0	45.1%
0-60	711.1	79%
0-90	899.9	100.0%

Candela Plot



110°
Beam Angle

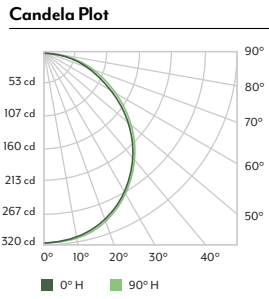
PHOTOMETRIC SAMPLES

ALCD

6IN, SV
IES

Luminaire Data: 120V
ALCD-6-9CP5-SV-TD, 3500K

CCT & CRI	3500K, 90+ CRI
DELIVERED LUMENS	893
WATTAGE	9.6W
EFFICACY	93
BEAM ANGLE	50%=110.7° 10%=161.1°
SPACING	0° = 1.24 90° = 1.25



Photometric values based on tests performed in compliance with LM-63 & LM-79

Zonal Lumen Summary

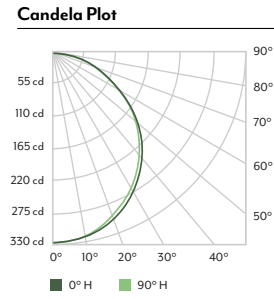
Zone	Lumens	% Luminaire
0-30	246.1	27.6%
0-40	402.1	45%
0-60	706.3	79.1%
0-90	893.0	100.0%



6IN, MV
IES

Luminaire Data: 120-277V
ALCD-6-9CP5-MV-D, 3500K

CCT & CRI	3500K, 90+ CRI
DELIVERED LUMENS	906
WATTAGE	9.9W
EFFICACY	92
BEAM ANGLE	50%=110.1° 10%=160.8°
SPACING	0° = 1.25 90° = 1.24



Photometric values based on tests performed in compliance with LM-63 & LM-79

Zonal Lumen Summary

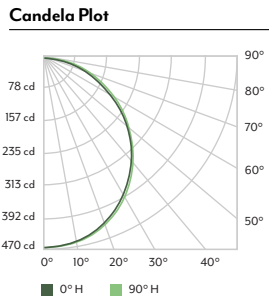
Zone	Lumens	% Luminaire
0-30	250.8	27.7%
0-40	409.2	45.2%
0-60	717.9	79.3%
0-90	905.8	100.0%



6INHO, SV
IES

Luminaire Data: 120V
ALCD-6HO-9CP5-SV-TD, 3500K

CCT & CRI	3500K, 90+ CRI
DELIVERED LUMENS	1288
WATTAGE	12.6W
EFFICACY	102
BEAM ANGLE	50%=110.2° 10%=159.2°
SPACING	0° = 1.25 90° = 1.25



Photometric values based on tests performed in compliance with LM-63 & LM-79

Zonal Lumen Summary

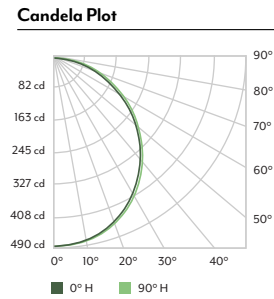
Zone	Lumens	% Luminaire
0-30	356.7	27.7%
0-40	582.4	45.2%
0-60	1,019.9	79.2%
0-90	1,288.1	100.0%



6INHO, MV
IES

Luminaire Data: 120-277V
ALCD-6HO-9CP5-MV-D, 3500K

CCT & CRI	3500K, 90+ CRI
DELIVERED LUMENS	1355
WATTAGE	13.2W
EFFICACY	103
BEAM ANGLE	50%=110.1° 10%=161.2°
SPACING	0° = 1.25 90° = 1.25



Photometric values based on tests performed in compliance with LM-63 & LM-79

Zonal Lumen Summary

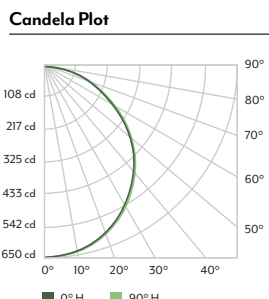
Zone	Lumens	% Luminaire
0-30	375.2	27.7%
0-40	612.9	45.2%
0-60	1,073.0	79.2%
0-90	1,355.1	100.0%



6IN, SV
IES

Luminaire Data: 120V
ALCD-8-9CP5-SV-TD, 3500K

CCT & CRI	3500K, 90+ CRI
DELIVERED LUMENS	1830
WATTAGE	17.8W
EFFICACY	103
BEAM ANGLE	50%=111.4° 10%=161.2°
SPACING	0° = 1.25 90° = 1.25



Photometric values based on tests performed in compliance with LM-63 & LM-79

Zonal Lumen Summary

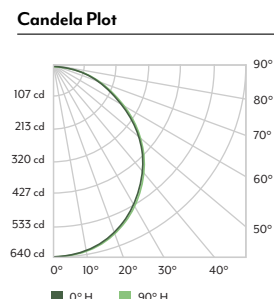
Zone	Lumens	% Luminaire
0-30	501.0	27.4%
0-40	819.6	44.8%
0-60	1,445.6	79%
0-90	1,830.5	100.0%



6IN, MV
IES

Luminaire Data: 120-277V
ALCD-8-9CP5-MV-D, 3500K

CCT & CRI	3500K, 90+ CRI
DELIVERED LUMENS	1795
WATTAGE	16.4 W
EFFICACY	109
BEAM ANGLE	50%=111.4° 10%=161.4°
SPACING	0° = 1.25 90° = 1.25



Photometric values based on tests performed in compliance with LM-63 & LM-79

Zonal Lumen Summary

Zone	Lumens	% Luminaire
0-30	490.8	27.3%
0-40	802.9	44.7%
0-60	1,416.2	78.9%
0-90	1,794.6	100.0%



PHOTOMETRIC SAMPLES

ALCG

4IN

Luminaire Data: 120V
ALCG-4-9CP5-SV-TD, 3500K

IES

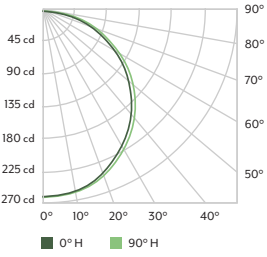
CCT & CRI	3500K, 90+ CRI
DELIVERED LUMENS	758.9
WATTAGE	7.6W
EFFICACY	101
BEAM ANGLE	50%=112.9° 10%=162.3°
SPACING	0° = 1.25 90° = 1.26

Photometric values based on tests performed in compliance with LM-63 & LM-79

Zonal Lumen Summary

Zone	Lumens	% Luminaire
0-30	204.6	27%
0-40	335.2	44.2%
0-60	594.0	78.3%
0-90	758.9	100.0%

Candela Plot



113°
Beam Angle

GIN

Luminaire Data: 120V
ALCG-6-9CP5-SV-TD, 3500K

IES

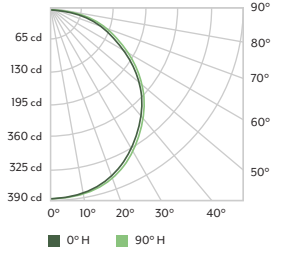
CCT & CRI	3500K, 90+ CRI
DELIVERED LUMENS	1120
WATTAGE	11W
EFFICACY	102
BEAM ANGLE	50%=113.9° 10%=162.1°
SPACING	0° = 1.27 90° = 1.26

Photometric values based on tests performed in compliance with LM-63 & LM-79

Zonal Lumen Summary

Zone	Lumens	% Luminaire
0-30	301.3	26.9%
0-40	493.8	44.1%
0-60	877.9	78.4%
0-90	1,120.0	100.0%

Candela Plot



114°
Beam Angle

DIMMER COMPATIBILITY LIST

DIMMER BRAND	SERIES	DIMMER MODEL
TRIAC DIMMERS		
LUTRON	Maestro C-L	MACL-153M
LUTRON	Skylark C-L	SCL-153P
LUTRON	Diva C-L	DVCL-153P
LEGRAND	Radiant	RHCL453PTC
LEGRAND	Harmony	DCL453PTCCCV6
LEGRAND	Harmony	HCL453PTCCCV6
LUTRON	Skylark	CTCL-153PDH-WH
LUTRON	Toggler	TGCL-153PH-WH
LEVITON	Illumena Tech	R50-IPL06-10M
LUTRON	Diva C-L	DVWCL-153PH-WH
LUTRON	Diva	DVCL-153P
LUTRON	Maestro	PD-6WCL
LEGRAND	Radiant	RHCL453PTC

DIMMER BRAND	SERIES	DIMMER MODEL
0-10V DIMMERS		
LUTRON	Diva	DVSTV-WH
COOPER	NA	DFIOPCI
LEVITON	NA	IP710

* Always consult dimmer manufacturer for proper use, installation and compatibility (some dimmers may require a neutral in the wall box).