

DATE:	PROJECT:
TYPE:	NOTES:
CATALOG #:	

## ALSD | ALTAIR SURFACE MOUNT DOWNLIGHTS

### 3 CCT COLOR PREFERENCE® WITH PIR OCCUPANCY SENSOR

#### KEY FEATURES

- Luminaire uses ETI's patented Color Preference with 3 Selectable CCTs (3000K, 4000K, 5000K)
- 90+ CRI (JA8 Title 24 Compliant)
- IC Rated for maximum thermal management
- TRIAC Dimming (120V)
- Wet location

#### SPECIFICATIONS

##### Construction

- Extruded aluminum, powder coated white—engineered for lightweight handling and heat dissipation
- Complete fixture is fully sealed and sits flush against the ceiling with no gap, protecting luminaire from environmental contaminants
- Optional trim accessories: Black and Satin Nickel

##### Optics

- High impact, polymer diffuser lens for zero pixelation and overall visual comfort
- Uniform, even light distribution

##### Installation

- Field select CCT using integral switch behind the lens prior to installation. Ships at 3000K.
- Works with standard 4" j-box and pancake j-box
- Works with 6" recessed housing (retrofit kit sold separately)

##### Electrical

- > 130,000 hour LEDs at L70 for reduced maintenance
- Operates at 120V, 60Hz
- TRIAC dimming, down to 10%\* (120V)
- PIR Motion Sensor: 120°, at 11 feet sensing distance
- Operating Temperature: -4°F to 104°F (-20°C to 40°C)
- ETI's patented selectable CCT COLOR PREFERENCE® allows for easy field-adjustable color temperature selection with switch located inside fixture.

\* Always consult dimmer manufacturer for proper use, installation and compatibility (some dimmers may require a neutral in the wall box).

##### Warranty

5-Year Standard Warranty. See terms at: [ETISSL.com/warranty/](https://www.etissl.com/warranty/)



**Black & Satin Nickel**  
Clip-On Trim  
Accessories Available



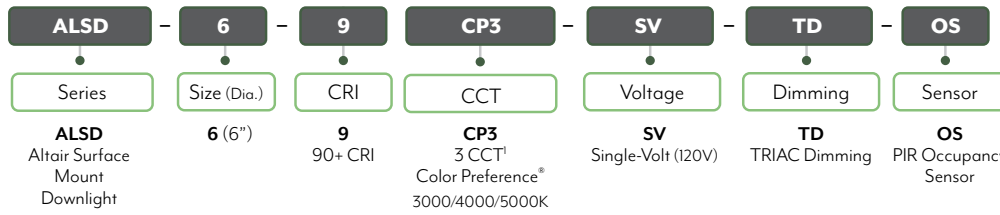
#### Certifications & Test Data

- All luminaires are UL Listed (US, C) for Wet Location
- Adheres to LM63, LM79, LM80 and TM21 industry standards for photometric, lumen maintenance and lifetime calculations
- ENERGY STAR® rated (See Page 3 for search info.)
- Product can be used to comply with California Title 24 Efficiency Standards
- JA8 Title 24 Compliant
- Suitable for use in closets when installed in accordance to NEC Section 410.16 (A)(1) and 410.16 (C)(1)



KEY DATA	
LUMEN RANGE	947 – 1078
WATTAGE RANGE	14.5 – 15
EFFICACY RANGE (LPW)	65-72
REPORTED LIFE (HOURS)	L70 / > 130,000

CATALOG LOGIC



Notes:

- Ships at 3000K. Installing contractor responsible for ensuring desired CCT selected during installation.

STOCK ORDERING INFORMATION

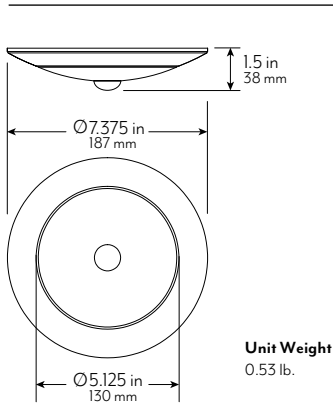
CATALOG PART NUMBER	ORDER NUMBER	DESCRIPTION (DIA)	PACK SIZE	CRI	CCT (CP5)	WATTS (NOM.)	LUMEN PKG. <sup>1</sup>	DELIVERED LUMENS	LPW	VOLTAGE	DIM	ENERGY STAR <sup>2</sup>
ALSD-6-9CP3-SV-TD-OS	63328102	6" Altair Surface Mount Downlight CP3 with PIR Occupancy Sensor	1	90+	3000K	15	900	947	65	120V	TRIAC	YES
					4000K	15	900	1078	72			
					5000K	15	900	960	66			

Notes: 1. For more delivered lumens and test data see pages 3, or visit ETISSL.com 2. ENERGY STAR® search catalog part number. Example: ALSD-6-9CP3-SV-TD-OS

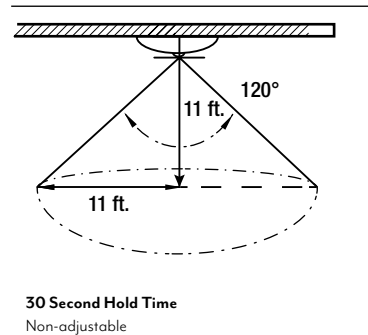
AVAILABLE STOCK ACCESSORIES (must be ordered separately, field installed)

Catalog Part Number	Order Number	Description	Details
ALSD-6-TRIM-BL	70576101	Altair Series 6" Surface Mount Downlight Clip-On Black Trim	BLACK SATIN NICKEL
ALSD-6-TRIM-SN	70578101	Altair Series 6" Surface Mount Downlight Satin Clip-On Nickel Trim	
ALSD-6-RETROFIT KIT	70605101	Altair Series 6" Friction Clips with E26 adapter	

DIMENSIONS / DETAILS



MOTION SENSOR OPERATION



PERFORMANCE / Data

Lumen Maintenance	
<b>Ambient Temp.</b>	<b>TM-21 Lumen Maintenance (54,000 hours)</b>
25° C (77° F)	> 87%
<b>Ambient Temp.</b>	<b>TM-21 Theoretical L70 (hours)</b>
25° C (77° F)	> 130,000

Load Information	
<b>Power Factor</b>	> 0.90
<b>THD</b>	< 20%
<b>Frequency</b>	60 Hz
<b>Low Temp Start / Max Temp</b>	-20° C (-4° F) / 40° C (104° F)



Ships at 3000K



Twist-off lens for easy install and CCT selection

PHOTOMETRIC SAMPLES

3CCT with OC Sensor

6 IN

IES

**Luminaire Data:** 120V  
ALSD-6-9CP3-SV-TD-OS, 4000K

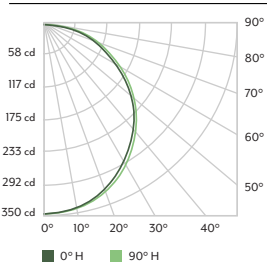
CCT & CRI	<b>4000K, 90+ CRI</b>
DELIVERED LUMENS	<b>1078</b>
WATTAGE	<b>15.0W</b>
EFFICACY	<b>72</b>
BEAM ANGLE	<b>50%=113.2°</b> <b>10%=171.7°</b>
SPACING	<b>0° = 1.27 90° = 1.25</b>

Photometric values based on tests performed in compliance with LM-63 & LM-79

Zonal Lumen Summary

Zone	Lumens	% Luminaire
0-30	268.3	24.9%
0-40	439.1	40.7%
0-60	780.4	72.4%
0-90	1,031.8	95.7%
0-180	780.4	100.0%

Candela Plot



DIMMER COMPATIBILITY LIST

DIMMER BRAND	SERIES	DIMMER MODEL
<b>TRIAC DIMMERS</b>		
LUTRON	Maestro C-L	MACL-153M
LUTRON	Skylark C-L	SCL-153P
LUTRON	Diva C-L	DVCL-153P
LEGRAND	Radiant	RHCL453PTC
LEGRAND	Harmony	DCL453PTCCCV6
LEGRAND	Harmony	HCL453PTCCCV6
LUTRON	Skylark	CTCL-153PDH-WH
LUTRON	Toggler	TGCL-153PH-WH
LEVITON	Illumena Tech	R50-IPL06-10M
LUTRON	Diva C-L	DVWCL-153PH-WH
LUTRON	Diva	DVCL-153P
LUTRON	Maestro	PD-6WCL
LEGRAND	Radiant	RHCL453PTC

\* Always consult dimmer manufacturer for proper use, installation and compatibility (some dimmers may require a neutral in the wall box).