

DATE:	PROJECT:
TYPE:	NOTES:
CATALOG #:	

## RETROFIT DOWNLIGHT

5 CCT COLOR PREFERENCE® | NIGHTLIGHTR™  
WITH E26 SOCKET ADAPTER

### KEY FEATURES

- Luminaire shall use ETI's patented Color Preference with 5 Selectable CCTs (2700K, 3000K, 3500K, 4000K, 5000K), using 90+ CRI, and ETI SSL's patented NightlightR™ low-lumen, 2000K nightlight.
- 90+ CRI | R9 >50 and high R13 values
- NightlightR™ features a 2000K low-lumen indirect light providing a warm glow for night
- IC Rated for maximum thermal management
- Triac dimming down to 10%—quiet and flickering free
- Clean, integrated LED trim with nightlight brings new life and modern function to old fixtures.
- Wet location rated

### SPECIFICATIONS

#### Construction

- Durable die-cast aluminum housing design for maximum thermal management and performance
- Suitable for IC or Non-IC applications
- Matte white finish, baffle trim

#### Optics

- High impact, polycarbonate lens is regressed and convex giving it the appearance of a traditional lamp
- Smooth, uniform light distribution

#### Installation

- Spring retention clips (6") or torsion clips (4") offer a secure fit
- No need for a separate recessed housing or junction box
- Field select one of five CCTs at installation with an integral switch located on back of fixture. Factory set to 2700K.
- Easy to install—simply twist E26 base into existing socket

#### Electrical

- 55,000 hour LEDs at L70 for reduced maintenance
- Operates at 120V, 60Hz
- Triac dimming, down to 10%\*
- ETI's patented 5 CCT COLOR PREFERENCE® allows for easy field-adjustable color temperature selection with switch
- Light fixture and nightlight feature are easily controlled using the room's on/off switch. To toggle between regular light output and the nightlight feature simply toggle the switch on/off/on within 3-seconds.

\* Always consult dimmer manufacturer for proper use, installation and compatibility (some dimmers may require a neutral in the wall box).

#### Warranty

5-Year Standard Warranty. See terms at: [ETISSL.com/warranty/](https://ETISSL.com/warranty/)

KEY DATA	
Lumen Range	617 – 766
Wattage Range	9.8 – 10.2
Night Light Wattage	4.2
Efficacy Range (LPW)	68-75 (based on 2700K)
Reported Life (Hours)	L70 / 55,000
Input Current (mA)	100 for DL / 50 for NL



NightlightR™ technology within Integrated Trim



#### Certifications & Test Data

- All luminaires are built to UL standards and have the appropriate UL labels and information on product (See Page 3 for search info.)
- Wet location
- Adheres to LM63, LM79, LM80 and TM21 industry standards for photometric, lumen maintenance and lifetime calculations
- ENERGY STAR® rated (See Page 3 for search info.)
- California Appliance Efficiency Regulations—Title 20.
- Driver rated for FCC part 15 Class B for use in residential or commercial applications
- IC Rated for direct contact with insulation
- Suitable for use in clothes closets when installed in accordance with the NEC 410.16 spacing requirements



## CATALOG LOGIC

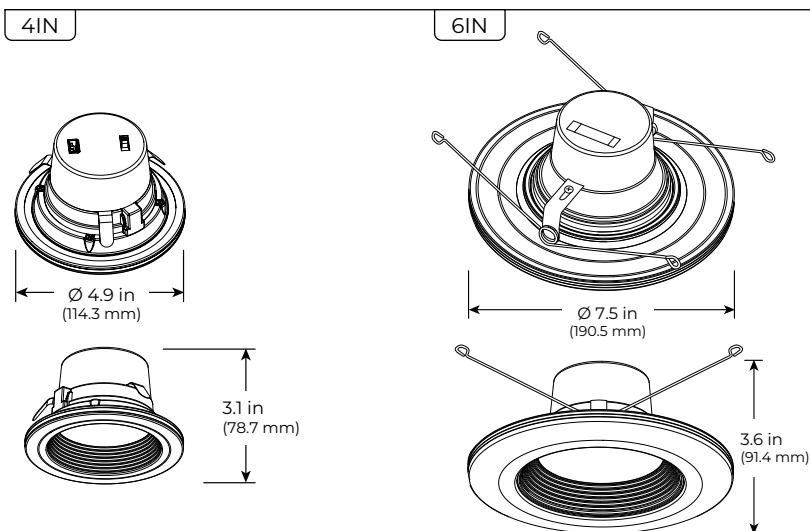
<b>DL</b>	-		-	<b>907</b>	-	<b>SV</b>	-	<b>D</b>
Series	Size	Lumens	CRI	CCT	Voltage	Dimming	Notes:	
<b>DL</b> Downlight (Retrofit with NightlightR™)	<b>4</b> (4" Dia) <b>6</b> (6" Dia)	<b>625</b> (625 lm) <b>67</b> (670 lm)	<b>90</b> 90CRI (min.)	<b>7</b> 5 CCT Color Preference® 27/35/30/40/5000K	<b>SV</b> Single-Volt 120V	<b>D</b> TRIAC Dimming	1. Factory set at 2700K. Installing contractor responsible for ensuring desired CCT is selected during installation.	

## STOCK ORDERING INFORMATION (typical 2-3 day shipment lead time)<sup>1</sup>

Catalog Part Number	Order Number	Description (Dia)	Case QTY	CRI	CCT (SCP)	Watts (Nom.)	Lumen Pkg	Delivered Lumens	LPW	Night Light Info	Volt.	Dim	ENERGY STAR®
DL-4-625-907-SV-D	53805102	4" Retrofit Downlight w/Nightlight	4	90+	2700K	10	625	617	60	4.2W 2000K	120V	TRIAC	Yes, Search 538051##
					3000K	10	625	677	65				
					3500K	10	625	712	69				
					4000K	10	625	734	72				
					5000K	10	625	728	74				
DL-6-67-907-SV-D	53804102	6" Retrofit Downlight w/Nightlight	4	90+	2700K	10	670	688	65	4.2W 2000K	120V	TRIAC	Yes, Search 538041##
					3000K	10	670	729	69				
					3500K	10	670	761	72				
					4000K	10	670	758	72				
					5000K	10	670	766	76				

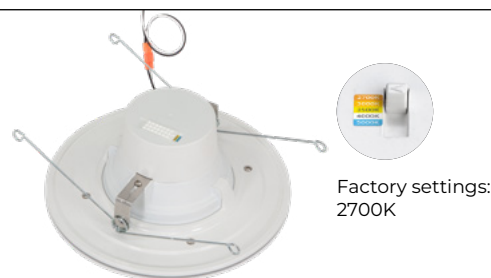
Notes: 1. Stock SKUs typically ship in 24-48 hours upon receipt of an approved released order  
2. For more delivered lumens and test data see pages 3, or visit ETISSEL.com

## DIMENSIONS / DETAILS



**Unit Weight**  
.6 lbs

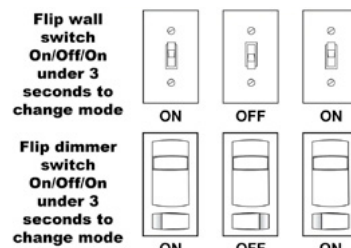
**Unit Weight**  
.9 lbs



### NightLightR™

Night light mode function:

Regular Light Mode > Night Light Mode



PERFORMANCE / Data

Lumen Maintenance

Ambient Temp.	TM-21 Lumen Maintenance (54,000 hours)
25° C (77° F)	> 70.81%
Ambient Temp.	TM-21 Theoretical L70 (hours)
25° C (77° F)	55,000

Load Information

Power Factor	.90
THD	< 20%
Frequency	60 Hz
Sound Rating	18.6 dBA
Low Temp Start / Max Temp	-15° C (5° F) / 40° C (104° F)

PHOTOMETRIC SAMPLES

4 IN  
IES

Luminaire Data: 4" at 3500K

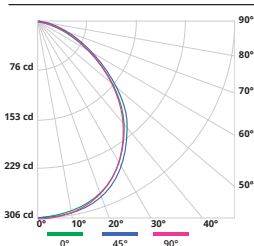
CCT & CRI	<b>3500K, 90+ CRI</b>
Delivered Lumens	<b>712</b>
Wattage	<b>10.3W</b>
Efficacy	<b>69</b>
Beam Angle	<b>50%=98° 10%=146°</b>
Spacing	<b>0° = 1.24 90° = 1.26</b>

Photometric values based on tests performed in compliance with LM-63 & LM-79

Zonal Lumen Summary

Zone	Lumens	% Luminaire
0-30	234.65	33.00%
0-40	377.66	53.10%
0-60	617.06	86.70%
0-90	711.84	100.0%

Candela Plot



98°

Candela Distribution

Angle	0°	90°
0	305	305
5	304	304
10	300	300
15	294	293
20	284	284
25	271	270
30	254	253
35	234	232
40	210	208
45	182	180
50	152	150
55	122	120
60	94	91
65	68	66
70	45	43
75	26	25
80	14	14
85	6.9	6.5
90	0.6	0.4

% Effective Ceiling Cavity Reflectance

Ceiling	80%			70%			50%			30%			10%			0%		
	70	50	30	70	50	30	70	50	30	70	50	30	70	50	30			
Wall	0																	
RCR	Zonal cavity method—Effective floor reflectance = 20%																	
0	119	119	119	119	116	116	116	116	111	111	111	106	106	106	102	102	102	100
1	110	106	102	99	108	104	100	97	100	97	94	96	93	91	92	90	89	87
2	101	94	88	83	99	92	86	82	88	84	80	85	81	78	82	79	76	74
3	93	83	76	70	91	82	75	69	79	73	68	76	71	67	74	70	66	64
4	86	75	66	60	83	73	66	60	71	64	59	69	63	58	66	62	58	55
5	79	67	59	53	77	66	58	52	64	57	52	62	56	51	60	55	51	49
6	73	61	52	46	71	60	52	46	58	51	46	56	50	45	55	49	45	43
7	68	55	47	41	66	55	47	41	53	46	41	52	45	41	50	45	40	38
8	64	51	43	37	62	50	42	37	49	42	37	48	41	36	46	41	36	34
9	60	47	39	33	58	46	39	33	45	38	33	44	38	33	43	37	33	31
10	56	43	36	30	55	43	35	30	42	35	30	41	35	30	40	34	30	28

4 IN  
IES

Luminaire Data: 6" at 3500K

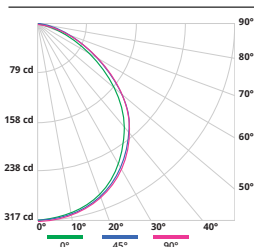
CCT & CRI	<b>3500K, 90+ CRI</b>
Delivered Lumens	<b>761</b>
Wattage	<b>10.5W</b>
Efficacy	<b>72</b>
Beam Angle	<b>50%=102° 10%=145°</b>
Spacing	<b>0° = 1.22 90° = 1.26</b>

Photometric values based on tests performed in compliance with LM-63 & LM-79

Zonal Lumen Summary

Zone	Lumens	% Luminaire
0-30	242.30	31.90%
0-40	393.13	51.70%
0-60	662.30	87.10%
0-90	760.65	100.0%

Candela Plot



102°

Candela Distribution

Angle	0°	90°
0	316	316
5	314	316
10	309	312
15	301	305
20	289	295
25	275	282
30	259	266
35	240	248
40	217	228
45	192	204
50	162	175
55	131	145
60	99	113
65	68	81
70	39	51
75	17	26
80	9	11
85	3.2	5.6
90	0	0.7

% Effective Ceiling Cavity Reflectance

Ceiling	80%			70%			50%			30%			10%			0%		
	70	50	30	70	50	30	70	50	30	70	50	30	70	50	30			
Wall	0																	
RCR	Zonal cavity method—Effective floor reflectance = 20%																	
0	119	119	119	119	116	116	116	116	111	111	111	106	106	106	102	102	102	100
1	110	106	102	99	108	104	101	97	100	97	94	96	94	92	92	91	89	87
2	101	94	88	83	99	92	86	82	89	84	80	85	81	78	82	79	76	74
3	93	83	76	70	91	82	75	69	79	73	68	76	71	67	74	69	66	64
4	86	74	66	60	83	73	65	60	71	64	59	68	63	58	66	61	57	55
5	79	67	58	52	77	66	58	52	64	57	51	62	56	51	60	55	50	48
6	73	60	52	46	71	59	51	46	58	51	45	56	50	45	54	49	44	43
7	68	55	47	41	66	54	46	41	53	45	40	51	45	40	50	44	40	38
8	63	50	42	36	62	50	42	36	48	41	36	47	41	36	46	40	36	34
9	59	46	38	33	58	46	38	33	44	37	33	43	37	32	42	37	32	31
10	55	43	35	30	54	42	35	30	41	34	30	40	34	30	39	34	29	28