

SCST | PIR MOTION SENSOR

FOR ETI SELECTABLE STRIP SERIES (SCST)

KEY FEATURES

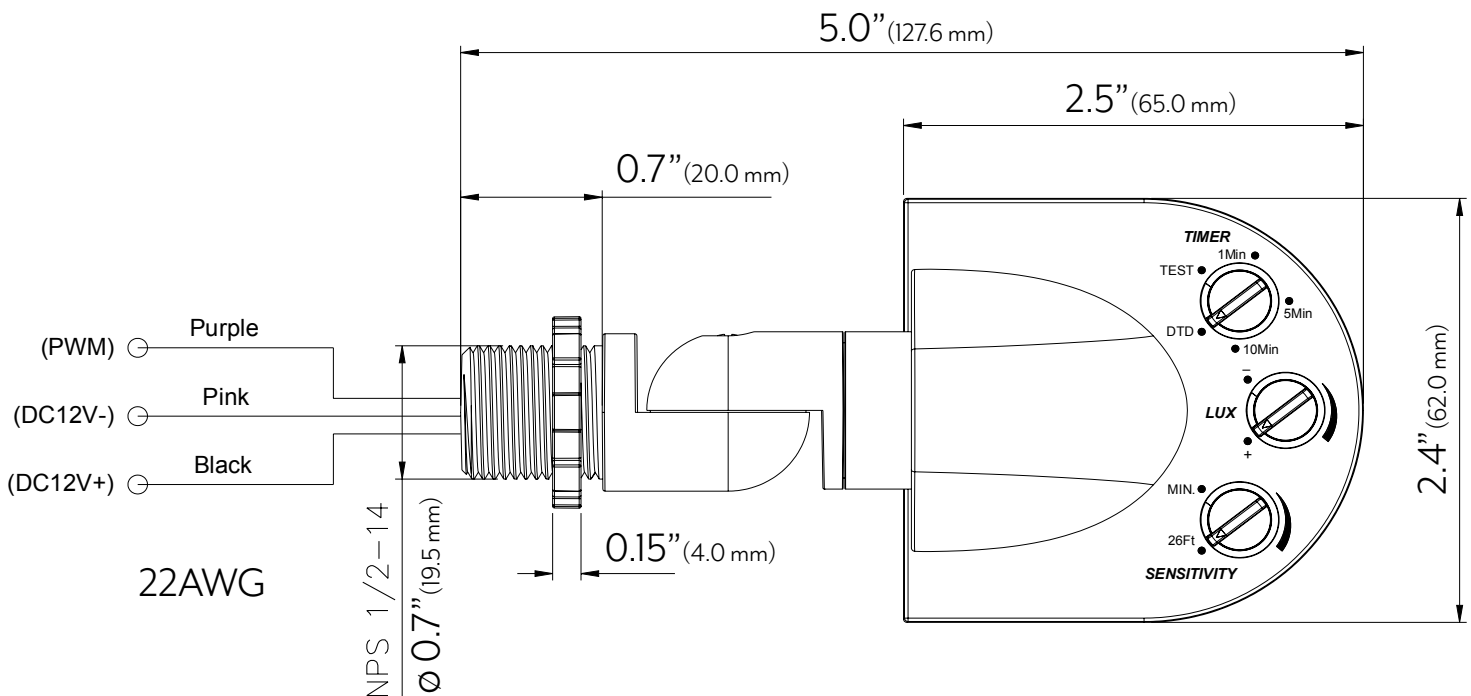
Model Number: W010000327
 Catalog / Part Number: SCST-OC-KIT

- **Test Mode + Auto mode** (1'-5'-10') Manual Override + DTD mode
- **Auto Mode Function:** At dusk, The light will stay ON as long as the motion is detected when people leaving, the light will remain on for the predetermined time you set (1 min. or 5 min. or 10 minutes), and then turn off automatically.
- **DTD Mode Function:** Turn on the lighting fixture at full brightness at dusk and turn off at dawn automatically.
- **Detection Range Ceiling Mount:** Max. Ø 26FT
- **Detection Range Wall Mount:** Max. 28FT x 120° ± 10°
- **Delay Time Settings:** 1 minute | 5 minutes | 10 minutes
- **Operating Lux Settings:** 10lux to 300lux
- **Sensitivity Settings:** Ø 6FT to Ø 26FT
- IP Rating: IP65
- Enclosure: Plastic, UV rated

ELECTRICAL	
INPUT POWER	DC12V±IV
OUTPUT SIGNAL	ON/OFF SIGNAL
OPERATING LUX	10-300LUX
POWER CONSUMPTION MAX.	0.5 WATT WHEN STAND-BY
WORKING TEMPERATURE	-30°C(-22°F) - 50°C (122°F)

Warranty

5-Year Standard Warranty. See terms at: ETISSL.com/warranty/

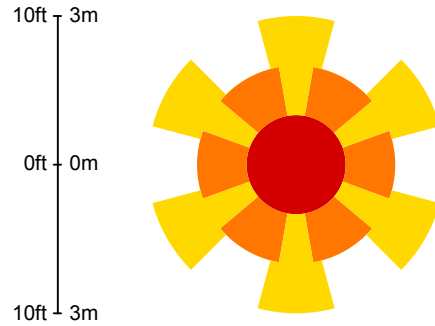


Coverage Pattern

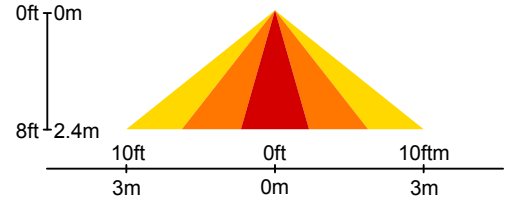
**10-FT. SMALL MOTION
STANDARD RANGE 360°**

- Optimized full coverage pattern for 10ft. (3 m) mounting height
- Reliable detection of small motion

TOP VIEW



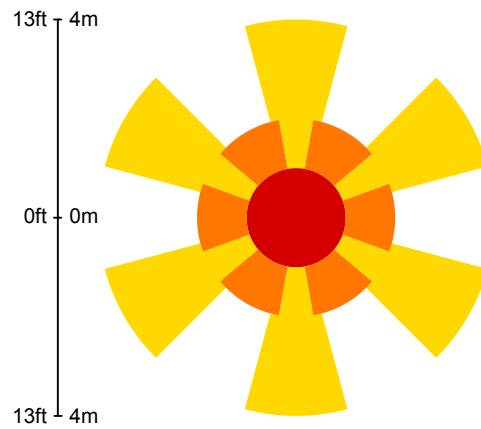
SIDE VIEW



**13-FT. LARGE MOTION
EXTENDED RANGE 360°**

- Optimized full coverage pattern from 10ft. - 13ft. (3 m - 4 m) mounting height
- Reliable detection of large motion (e.g. person walking)

TOP VIEW



SIDE VIEW

