

DATE:	PROJECT:
TYPE:	NOTES:
CATALOG #:	

FM | ROUND LED FLUSH MOUNTS

2700K | 4000K

KEY FEATURES

ETI's Round Flush Mounts are durable, practical, and efficient—delivering uniform illumination while reducing energy and maintenance costs for commercial spaces.

- Luminaires available in 2700K and 4000K options
- 80+ CRI
- Durable, shatter-proof acrylic impact-resistant lens
- L70: >50,000 hours

SPECIFICATIONS

Construction

- White powder-coated steel housing with non-yellowing frosted acrylic low profile diffuser that twist and locks into the housing.

Optics

- Impact-resistant frosted acrylic diffuser lens for zero pixelation and overall visual comfort
- Uniform, even light distribution

Installation

- Hard Wire:
Mounting hardware and quick connectors included

Electrical

- >50,000 hour LEDs at L70 for reduced maintenance
- Operates at 120–277V 60Hz
- Non-Dimmable
- Operating temperature: -4°F to 113°F (-20°C to 45°C)

Warranty

5-Year Standard Warranty. See terms at: [ETISSL.com/warranty/](https://www.etissl.com/warranty/)



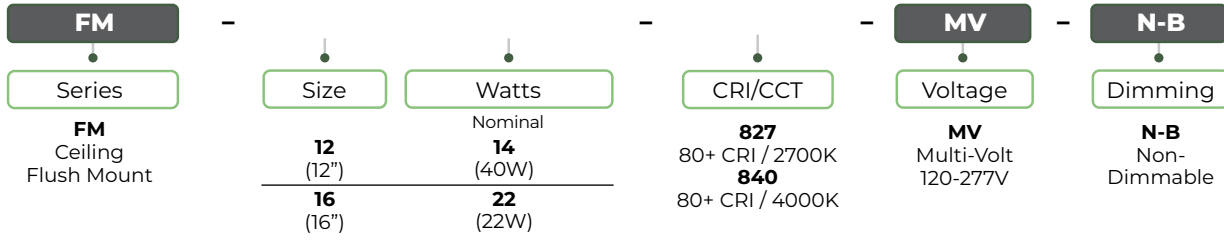
KEY DATA	
Lumens	980 – 1667
Wattage	13.9 – 21.9
Efficacy (LPW)	69 – 83
Reported Life (Hours)	L70 / > 50,000

Certifications & Test Data

- All luminaires are built to UL 1598 standards and have the appropriate UL labels and information on product
- Damp location rated
- Driver rated for FCC part 15 Class B for use in residential or commercial applications
- Suitable for use in closets when installed in accordance to NEC Section 410.16 (A)(1) and 410.16 (C)(1)



CATALOG LOGIC



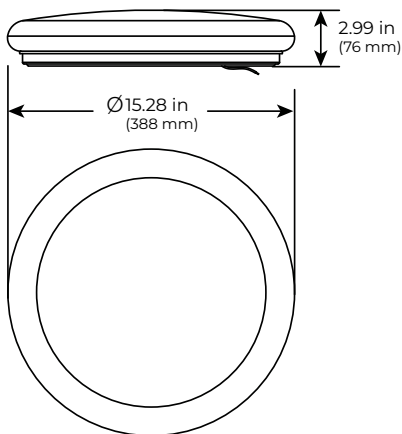
STOCK ORDERING INFORMATION

Catalog Part Number	Order Number	Description (Dia)	Case QTY	CCT	Watts (Nom.)	Lumen Pkg	Deliv. lm	LPW	CRI	Voltage	Dimmability
FM-12-14-827-MV-N-B	54436201	12" Round LED Flush Mount, 2700K	4	2700K	14	900	980	70	80+	120-277V	Non-Dim
FM-12-14-840-MV-N-B	54436241	12" Round LED Flush Mount, 4000K	4	4000K	14	1100	1150	83	80+	120-277V	Non-Dim
FM-16-22-827-MV-N-B	54437201	16" Round LED Flush Mount, 2700K	4	2700K	22	1500	1520	69	80+	120-277V	Non-Dim
FM-16-22-840-MV-N-B	54437241	16" Round LED Flush Mount, 4000K	4	4000K	22	1600	1667	80	80+	120-277V	Non-Dim

Notes: 1. For more delivered lumens and test data see page 3, or visit ETISSL.com

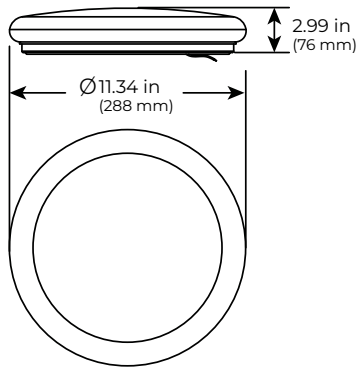
DIMENSIONS / DETAILS

16" Model



Unit Weight
2.0 lbs.

12" Model



Unit Weight
1.2 lbs.

Included Mounting Hardware:



PERFORMANCE / DATA

Load Information

Power Factor	.90
THD	< 20%
Frequency	60 Hz
Low Temp Start / Max Temp	-20° C (-4° F) / 45° C (113° F)

Lumen Maintenance

16" Model

Ambient Temp.	TM-21 Lumen Maintenance (54,000 hours)
25° C (77° F)	>85%
Ambient Temp.	TM-21 Theoretical L70 (hours)
25° C (77° F)	50,000

12" Model

Ambient Temp.	TM-21 Lumen Maintenance (54,000 hours)
25° C (77° F)	>85%
Ambient Temp.	TM-21 Theoretical L70 (hours)
25° C (77° F)	50,000

PHOTOMETRY

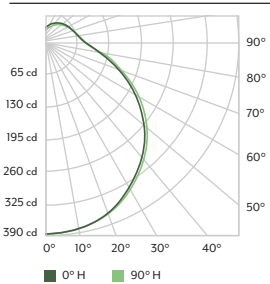


Luminaire Data:
16" Model, 4000K

CCT & CRI	4000K, 80+ CRI
Delivered Lumens	1667
Wattage	20.8W
Efficacy	80
Beam Angle	50%=129° 10%=90°
Spacing	0° = 1.3 90° = 1.3

Photometric values based on tests performed in compliance with LM-63 & LM-79

Candela Plot



125°
Beam Angle

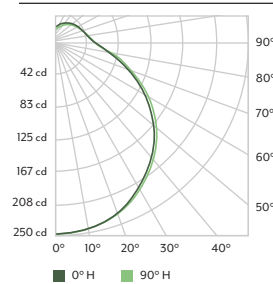


Luminaire Data:
12" Model, 4000K

CCT & CRI	4000K, 80+ CRI
Delivered Lumens	1150
Wattage	13.9W
Efficacy	83
Beam Angle	50%=129.2° 10%=90°
Spacing	0° = 1.3 90° = 1.31

Photometric values based on tests performed in compliance with LM-63 & LM-79

Candela Plot



129°
Beam Angle

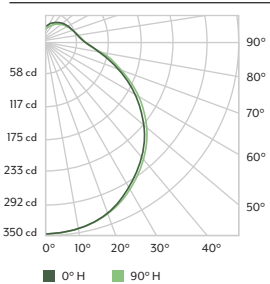


Luminaire Data:
16" Model, 2700K

CCT & CRI	2700K, 80+ CRI
Delivered Lumens	1520
Wattage	21.9W
Efficacy	69
Beam Angle	50%=129° 10%=90°
Spacing	0° = 1.3 90° = 1.3

Photometric values based on tests performed in compliance with LM-63 & LM-79

Candela Plot



125°
Beam Angle

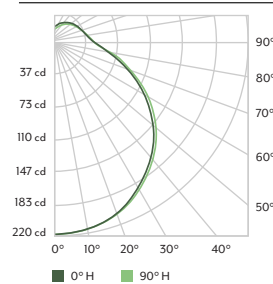


Luminaire Data:
12" Model, 2700K

CCT & CRI	2700K, 80+ CRI
Delivered Lumens	983.5
Wattage	13.9W
Efficacy	71
Beam Angle	50%=129.2° 10%=90°
Spacing	0° = 1.3 90° = 1.31

Photometric values based on tests performed in compliance with LM-63 & LM-79

Candela Plot



129°
Beam Angle