

DATE:	PROJECT:
TYPE:	NOTES:
CATALOG #:	

13" FLUSH MOUNT CEILING LIGHT

WITH TWISTFIT MOUNTING SYSTEM
3 CCT COLOR PREFERENCE® | NIGHTLIGHTR™

KEY FEATURES

- Low profile design with decorative beveled trim
- 155,000-hour life
- TRIAC Dimming
- Switch to night light (Amber 2000K) using wall switch or dimmer
- 3 field adjustable CCTs (3000K/4000K/5000K)
- 1.5" surface profile

SPECIFICATIONS

Construction

- Contemporary ultra slim low profile fixture with curved beveled edge design and white finish
- Frosted Lens

Optics

- Acrylic diffuser lens for zero pixelation and overall visual comfort
- Uniform, even light distribution

Installation and Function

- Driver is specifically designed with two tabs to twist and lock into place on the TwistFit mounting plate
- Field select one of three CCTs at installation with an integral switch located on back of lamp. Factory set to 3000K.
- Suitable for both new construction with J-box bracket or remodel installations
- Optional torsion spring brackets that enable installation into an existing 5" or 6" recessed can (sold separately)

Electrical

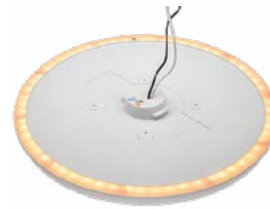
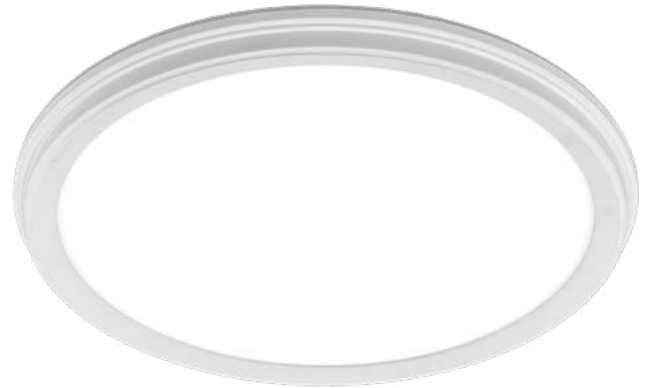
- 155,000 hour LEDs at L70 for reduced maintenance
- Operates at 120V, 60Hz
- Operating temperature: -4°F ~ 113°F
- TRIAC dimming, down to 10%*
- ETI's patented 3 CCT COLOR PREFERENCE® allowing for easy field-adjustable color temperature selection with switch located on product back

* Always consult dimmer manufacturer for proper use, installation and compatibility (some dimmers may require a neutral in the wall box).

Warranty

5-Year Standard Warranty. See terms at: [etissl.com/warranty/](https://www.etissl.com/warranty/)

KEY DATA	
Lumen Range	3164 – 3304
Wattage Range	38.9 – 39.0
Efficacy Range (LPW)	74-97
Reported Life (Hours)	L70 /155,000



Certifications & Test Data

- All luminaires are built to UL 1598 standards and have the appropriate UL labels and information on product
- Damp location rated
- IC Rated for direct contact with insulation
- Suitable for use in clothes closets when installed in accordance to NEC Section 410.16 spacing requirements



13" Flush Mount Ceiling Light WITH TWISTFIT MOUNTING SYSTEM | 3 CCT COLOR PREFERENCE® | NIGHTLIGHTR™

CATALOG LOGIC

FMNL	-	13IN	-	800LM	-	8	-	CP3	-	SV	-	TD	-	WT
Series		Size		Lumens (Lumen Package)		CRI		CCT		Voltage		Dimming		Finish
FMNL Flush Mount with Nightlighter®		13IN (13" Dia)		1350LM		8 80CRI (min.)		CP3 3 CCT Color Preference® 3/4/5000K		SV Single-Volt 120V		TD TRIAC Dimming		WT White

Notes:

1. Factory set at 3000K. Installing contractor responsible for ensuring desired CCT is selected during installation.

STOCK ORDERING INFORMATION (typical 2-3 day shipment lead time)¹

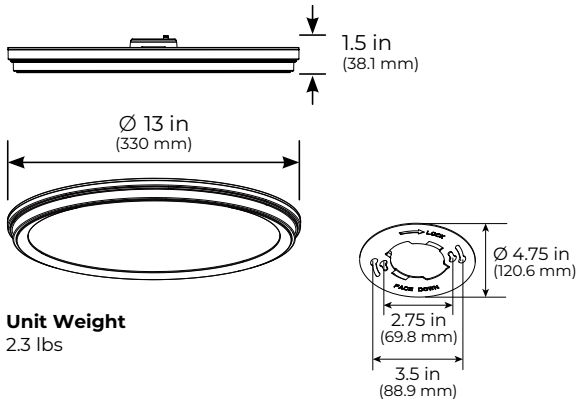
Catalog Part Number	Order #	Product Description	Case QTY	Wattage (Nominal)	Nightlight Wattage	Lumen Pkg	Delivered Lumens ²	Efficacy (LPW)	CCT	CRI	Volt.	Dim
FMNL-13IN-1350LM-8-CP3-SV-TD-WT	56576111	13" Flushmount with White Trim & Nightlight	4	17	4.5	1350	1688	101	3000K	80+	120V	TRIAC
							1792	110	4000K			
							1758	104	5000K			

Notes: 1. Stock SKUs typically ship in 24-48 hours upon receipt of an approved released order 2. For more delivered lumens and test data see on page 3, or visit ETISSL.com

AVAILABLE STOCK ACCESSORIES (must be ordered separately, field installed)

Order Number	Description	Details
95657611101 (FLDL-RETROFITKIT)	Retrofit Torsion Spring with E26 Adapter Kit	
90600760 (FMLP-JBOX)	Junction Box	

DIMENSIONS / DETAILS

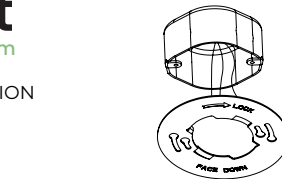


Unit Weight
2.3 lbs

MOUNTING (Included)



QUICK AND EASY INSTALLATION



Included:

- Mounting Plate
- Mounting Screws
- Mounting Plate Screws
- Wire Connectors



Mounting Accessories (sold separately)



Retrofit E26
Socket Adapter &
Torsion Springs

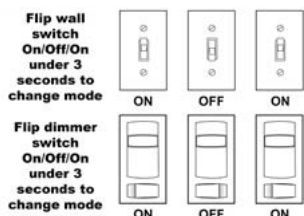


J-Box with Clips



Factory set
at 3000K

Regular Light Mode > Night Light Mode



ETI Lighting
4873 Thurmon Tanner Parkway,
Flowery Branch, GA 30542

855.384.7754 | www.etissl.com
Quotes: quotes@etissl.com
Orders: etiorsers@etissl.com

All specifications are subject to change without notice.
All reported values are typical values, measured under laboratory conditions @ 25° C (77° F).
Actual performance can vary slightly as a result of end-user application & environment.

PERFORMANCE / Data

Lumen Maintenance

Ambient Temp.	TM-21 Lumen Maintenance (54,000 hours)
25° C (77° F)	> 89.34%
Ambient Temp.	TM-21 Theoretical L70 (hours)
25° C (77° F)	155,000

Load Information

Power Factor	>.90
THD	< 20%
Frequency	60 Hz
Sound Rating	< 20 dBA
Low Temp Start / Max Temp	-20° C (-4° F) / 45° C (113° F)

PHOTOMETRIC SAMPLE

Luminaire Data: at 3000K

CCT & CRI	3000K, 80+ CRI
Delivered Lumens	1687.8
Wattage	16.7W
Efficacy	101
Beam Angle	50%=112° 10%=161°
Spacing	0° = 1.24 90° = 1.25

Photometric values based on tests performed in compliance with LM-63 & LM-79

Candela Plot

