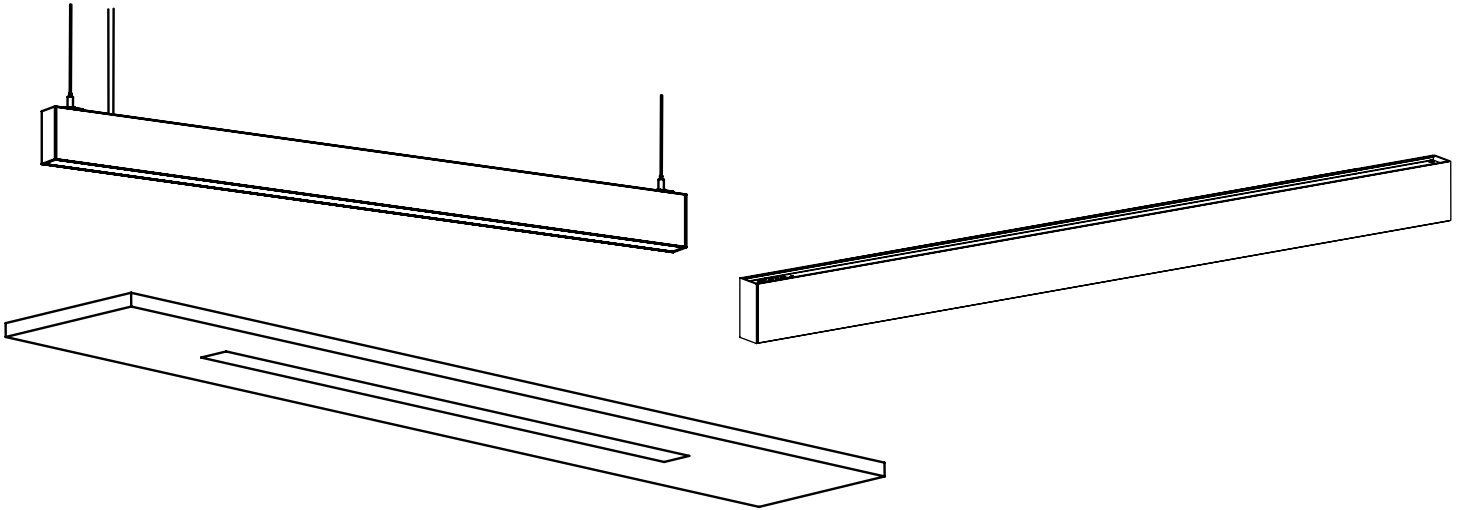


## INSTRUCTION MANUAL



### **WARNING**

- Please carefully read and follow all the detailed safety instructions and maintenance guide listed below. Failure to do so can and may result in serious injury or premature product inoperability. Save and maintain this sheet for future reference.
- Installation, Service, and Maintenance should only be conducted by a licensed electrician or qualified individual familiar with both the construction and operation of the luminaire and all noted and implied risks. The installation of luminaire must be in accordance with national and local building and electrical codes.
- Always disconnect power to location (via circuit breaker) before installation or servicing.
- Verify that the input voltage(s) and luminaire voltage(s) are compatible.
- Allow sufficient time for luminaire to cool down before maintenance.
- Only use proper Personal Protective Equipment (PPE), tools, and other approved equipment/materials.
- Ensure all wiring connections are terminated properly.
- Environments containing sulfur, chlorine or other halides, methyl acetate or ethyl acetate, cyanoacrylates, glycol, ethers, formaldehyde or butadiene will have adverse effects to materials and components in this luminaire.
- Instructions do not cover all details and all possible product configurations.
- Remove any foreign objects that may obstruct the luminaire from cooling.

### **OPEN PACKAGING & CHECK ALL HARDWARE**


Remove from packaging and check all contents.

- Aura has provided items listed here, with part numbers.
- These items can be found in separate boxes shipped with the luminaire.
- Account for all parts and set aside until they are needed.

### **PRE-INSTALL FIGURES/NOTES**

Before starting the install, please identify that all components, mounting hardware, end plates, and joiners are present. Remove fixture from packaging and discard all films/materials

Take note of SKU and order date for records.

 **Note:** All fixtures are shipped without end caps.

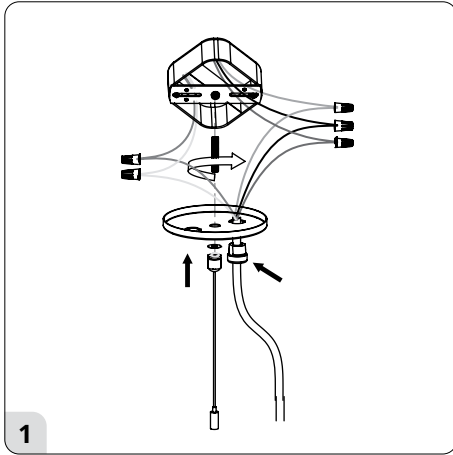
 **MOUNTING ACCESSORIES** (AVAILABLE FOR PURCHASE)

Hardware kits are sold as separate accessories.

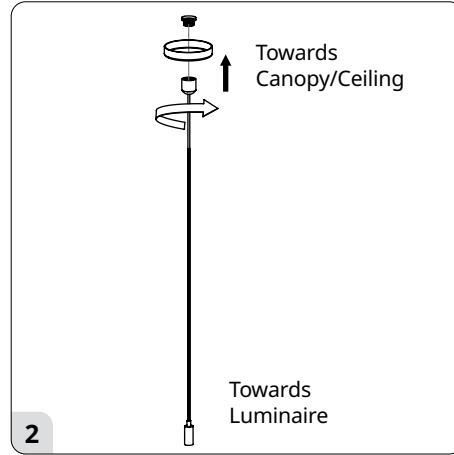
Visit [www.etissl.com/aura-architectural/](http://www.etissl.com/aura-architectural/) for more information and to purchase.

# SUSPENDED OR SURFACE INSTALLATION

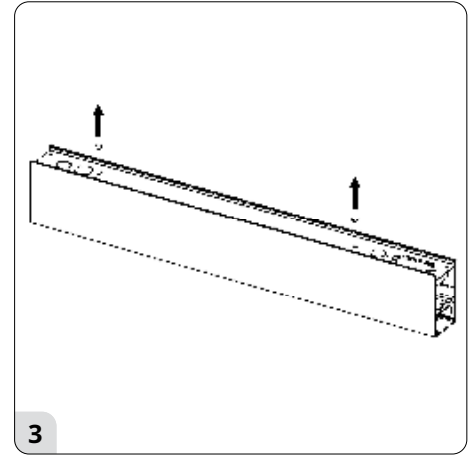
## Preparing the J-Box and Canopy



1 Secure the J-Box bracket with the 2 screws on the Junction box. Then Install the stud (threaded rod) from the kit in the center of the bracket to protrude through the canopy



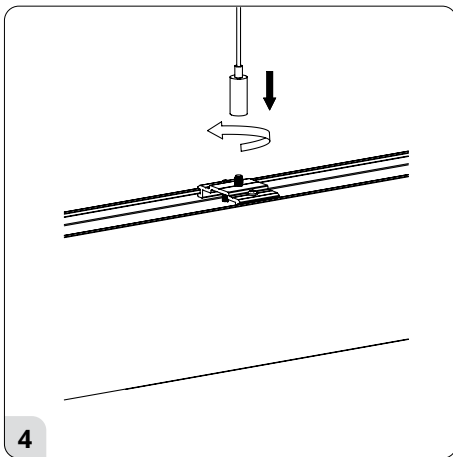
2 Using the rounded end of the aircraft cable, secure tightly to the canopy to the J-box by screwing it together.



3 Remove items from all protective tape, cartoning and package material and discard responsibly.

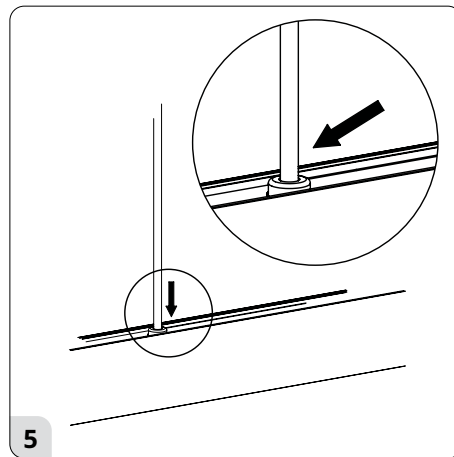
On the top of the fixture, there will be 1 knockout on one end and 2 rubber grommet plugs.

\*Remove for suspended mount

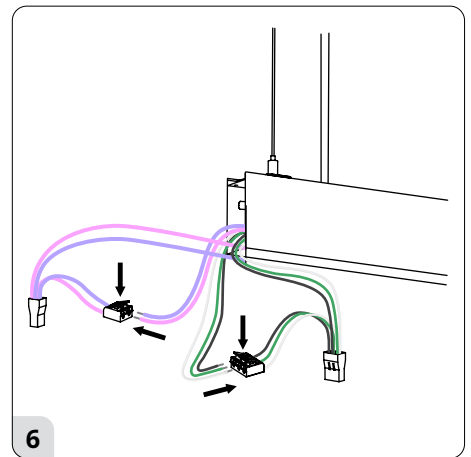


4 Slip the slider bracket to the grooves on the top of the channel and adjust the aircraft cable to the desired length/height of fixture\*

\* Caution: Once final location and desired height is selected, remove any access cable using cutters. Cutting the excess cable length is irreversible and will require a new kit if too short.



5 Use provided strain relief to secure power feed to extrusion. Pull wires through for the next step.



6 Always triple check to ensure all power has been disconnected from the source.

Using NEC standards connect the Ground, Line, and Neutral wires in the J-Box using wire nuts or approved methodology. Also connect 0-10 dimming wires.

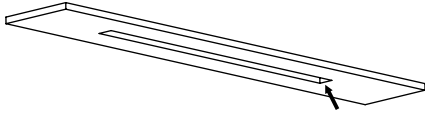
Next, similarly connect the conductors from the power feed to the connector in the wiring compartment.

For multi fixture runs, simply connect the power disconnects. Do not exceed 50' from a single power source. If power drop is located mid run, utilize the wire harness to feed the Line, Neutral, and Ground in addition to the 0-10 control wires. Power for a run can be initiated at any harness point.

\* For Surface Mount, Use secure mounting screw to attach luminaire to ceiling.

# RECESSED INSTALLATION

## Preparing the J-Box and Canopy



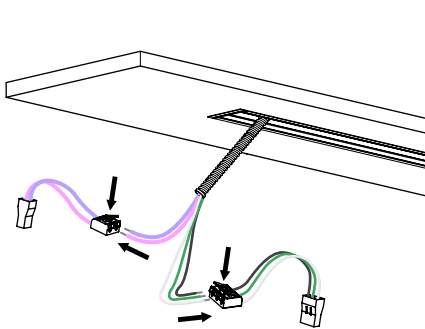
**Cutout Guide\***

VLD Aperture	Recessed Cutout Length Dimension	Length	Recessed Cutout Length Dimension
2'	24.5	2'	24.5
3'	36.5	3'	36.5
4'	48.5	4'	48.5
8'	96.5	8'	96.5

**1**

Cut hole in ceiling based on size and length of fixture

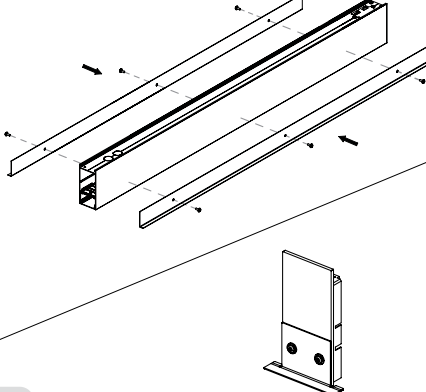
*\*General Rule: For any run length and aperture, please add 0.5 inches overall to account for the end caps and side clearance. Tight fitment is expected to be arranged by the installer.*



**2**

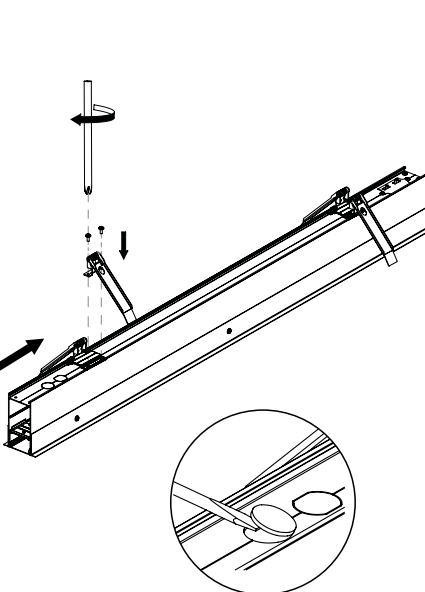
Dress and supply input wires to luminaire with a long enough lead to access from side of fixture.

*Recommended whip size 9"-12" from surface of ceiling.*



**3**

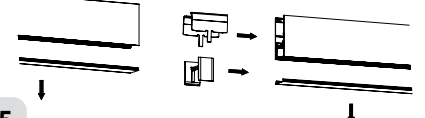
Attach flanges to side of fixture. Separately, attach flanges to end caps.



**4**

Slide the bracket into the top of the extrusion and screw the spring retention arms on to bracket.

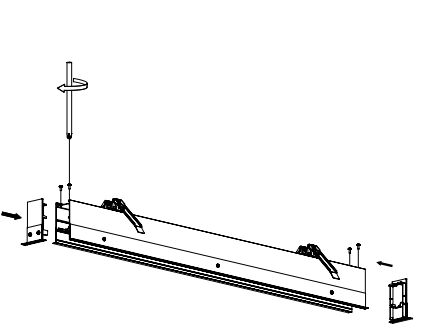
Remove knock out for power entry.



**5**

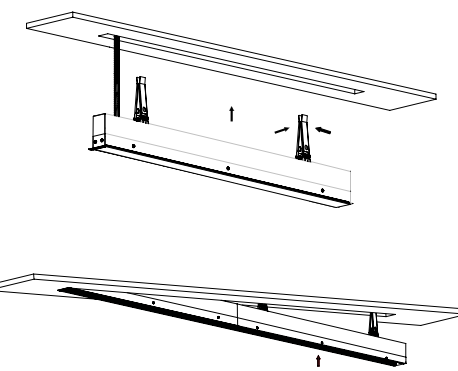
If fixture is in a run, complete retention arm connections and connect all joiners. Establish power and ensure that wires have strain relief protection connected.

*See **Joiners** section on page 5*



**6**

After all electrical and fixture connections are made, add Endcaps to enclose fixture.

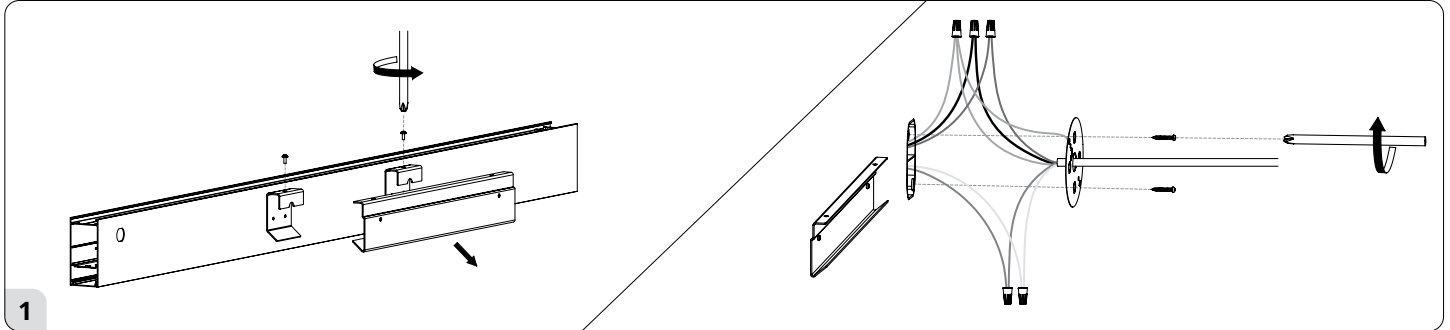


**7**

Starting at power feed end, squeeze retention arms and carefully insert fixture into slot.

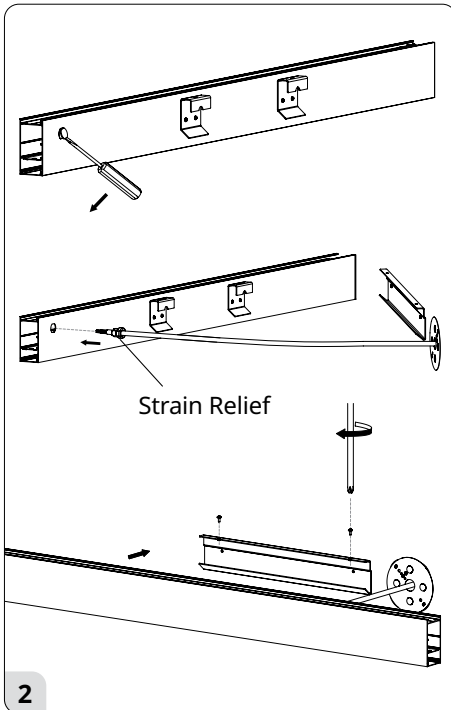
# WALL MOUNT

## Preparing the J-Box and Canopy



1 Remove 2 screws that attach the Wall bracket to luminaire.

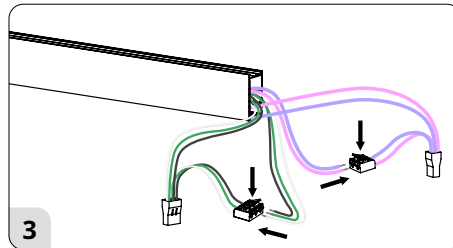
Prepare surface and electrical. Pull wires through J-Box Plate. Mount Bracket that was just removed to wall using screws and anchor. *For best results find stud.*



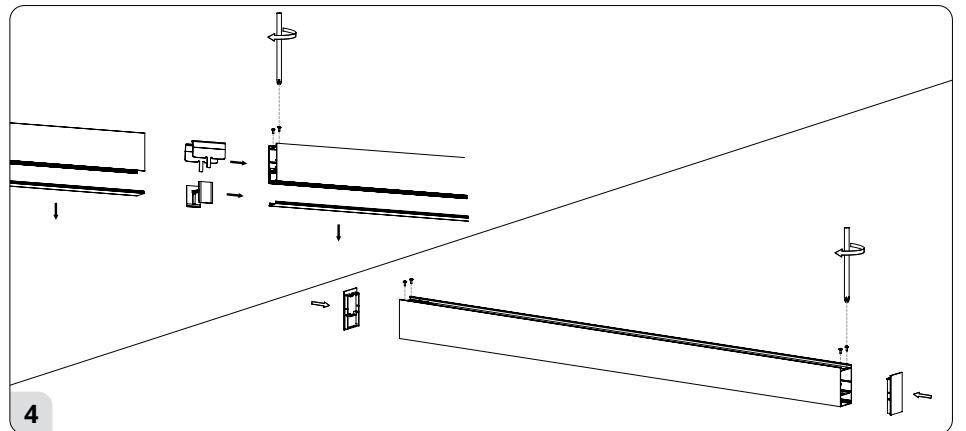
2 Knock out the wire entry on side of fixture. Pull power wires through knockout.

*Ensure wires have strain relief protection connected to avoid fray*

Secure fixture to wall bracket using the 2 screws that were removed in step 1.



3 Connect power and control wires.



4 Add any corresponding joiners and the endcaps to enclose fixture. *See Joiners section on page 5*

## ACCESSING & SERVICING

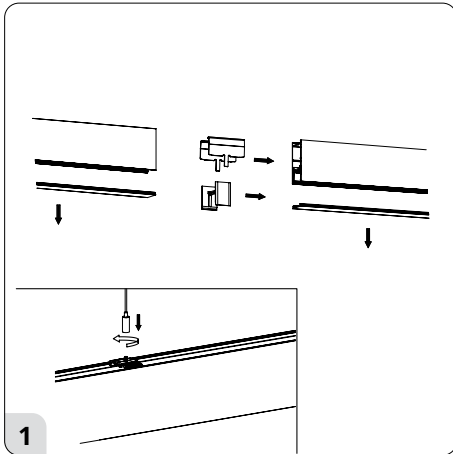
### \*\*IMPORTANT NOTICE

For optimal results and safety, it is strongly recommended that installation be performed by a qualified professional.

Please note that depending on your specific environment, it may be more efficient to adjust the order of the following steps to simplify installation or future servicing.

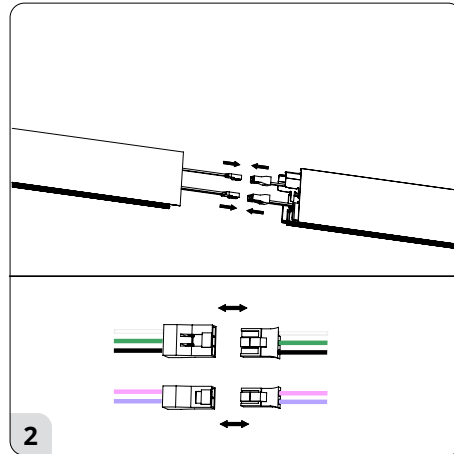
The procedures outlined below are intended to serve as a general guide for both installation and maintenance personnel.

### Joiners

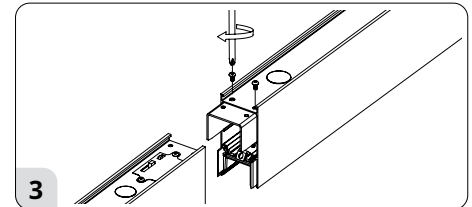


Remove lenses from luminaire and place in a safe location.

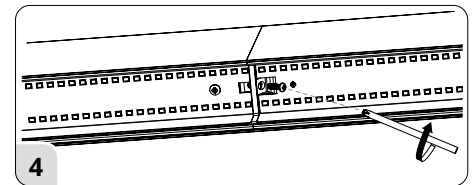
Install the upper joiner into one side of fixture by sliding into extruded feature.



Connect the corresponding quick disconnects (3 Position for power and 2 position for dimming control)

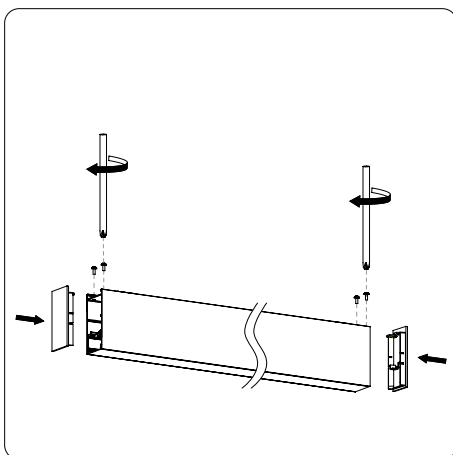


Secure using 2 screws from the top.



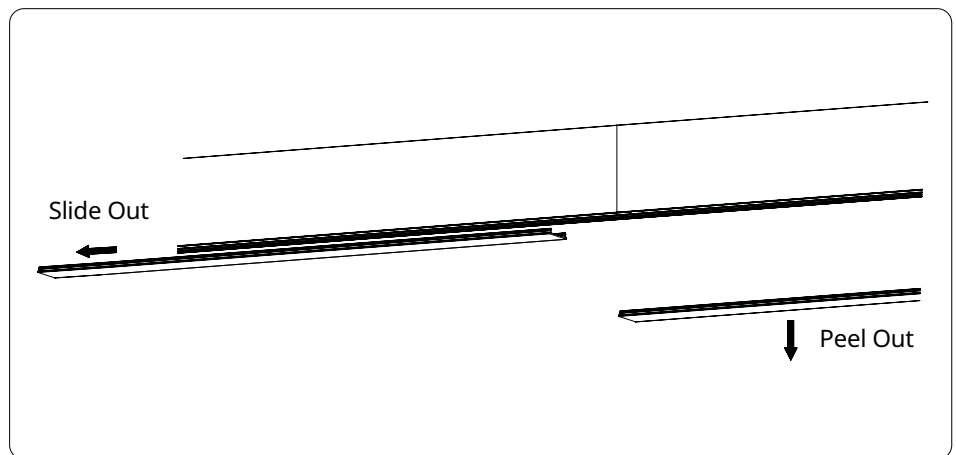
Tighten the alignment screw on the power tray to ensure no light leak.

### End Caps



Install the endcap and power cord strain relief to the fixture.

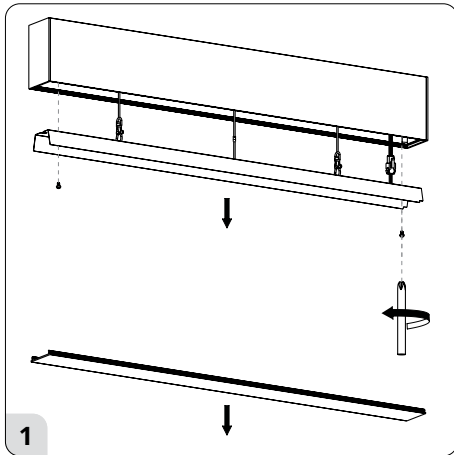
### Lens Removal



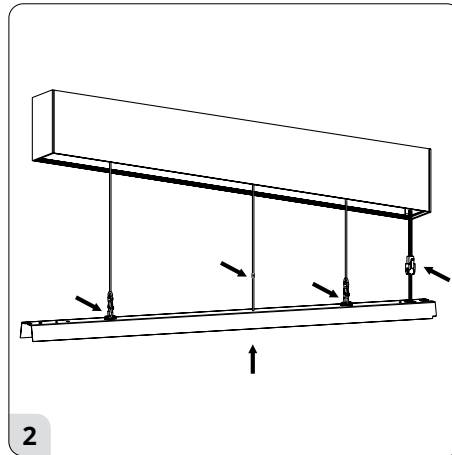
Lens is easily removable from the extrusion by either sliding out from one end or peeling out from its position.

Careful with lens, as its properties change after prolonged used and cycling. If lens is cracked or damaged, replace to reduce potential injury.

## Light Engine Removal

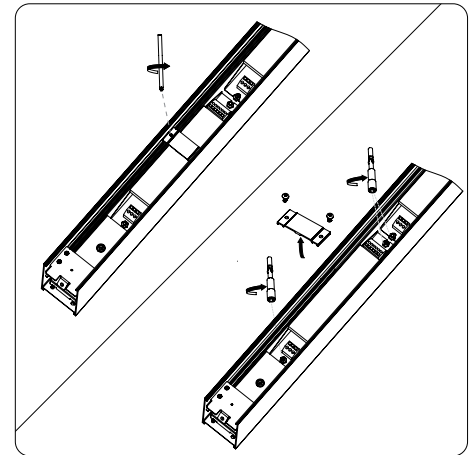


Once lens is removed and you've gained access to the light engine, there are 2 screws per every 2 foot length that need to be removed.



To completely remove or replace the light engine assembly, disconnect safety chains and power connections.

## Driver Replacement



Disconnect power at Breaker before continuing. This step is to only be completed by a qualified professional.

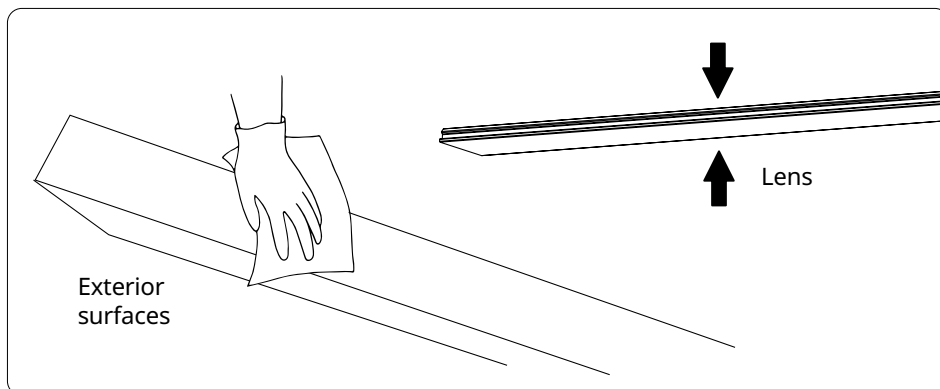
Follow Lens Removal and Light Engine Removal Directions

*Note: orientation of driver and its wired connections.*

Disconnect wires from existing driver and reconnect to the replacement.

Then carefully remove fasteners that are securing the old driver to housing.. Reuse these fasteners in the replacement process. Ensure that all wires are clear before tightening down fixture to housing to avoid pinching or trapping.

## Cleaning



Periodically, clean all exterior surfaces of the luminaire with either a feather duster or microfiber cloth. Carefully remove lens if particles are present. If dust persists, please disconnect power and use a lightly dampened cloth with a mild soap.

## Warranty

AURA Architectural by ETI Lighting backs our products with a 7-year warranty to the original purchaser. This limited warranty assures that the fixture will be free from defects in material, manufacturing, and workmanship for up to 7 years from the original ship date when installed and operated according to the intended purpose by a professional. For any additional warranty questions, please contact technical support at (877) 476-9384.