

DATE:	PROJECT:
TYPE:	NOTES:
CATALOG #:	

MBRD | MBOV | 8.5" BULK HEADS
 WITH TWISTFIT MOUNTING SYSTEM
 3 CCT COLOR PREFERENCE®

KEY FEATURES

ETI's Marine Bulkheads are engineered for durability in the toughest environments. A rugged polycarbonate base resists rust and corrosion, while 3 selectable CCTs provide versatile lighting control.

- ETI's TwistFit™ Mounting System for easy installation
- ETI's patented Color Preference with 3 Selectable CCTs (2700K, 3000K, 4000K)

SPECIFICATIONS

Construction

Corrosion-resistant polycarbonate base with metal grid

Optics

- Frosted Glass
- Uniform, even light distribution

Installation and Function

- TwistFit™ Surface mount kit included:
 TwistFit Mounting Bracket
 Mounting screw and wire connectors
- Choose from 3 field-selectable CCTs—2700/3000/4000
 Factory set at 2700K

Electrical

- > 200,000 hour LEDs at L70 for reduced maintenance
- Operates at 120-277V, 50/60Hz
- Operating temperature: -20°C (-4°F) / 45°C (113°F)
- Non-Dimmable
- ETI's patented 5 CCT COLOR PREFERENCE® allowing for easy field-adjustable color temperature selection with switch located on side of luminaire

* Always consult dimmer manufacturer for proper use, installation and compatibility (some dimmers may require a neutral in the wall box).

Warranty

5-Year Standard Warranty. See terms at: [ETISSL.com/warranty/](https://www.etissl.com/warranty/)



Round

Oval



KEY DATA	
Lumen Range	836 – 955
Wattage Range	6.9 – 7.2
Efficacy (LPW) Range	119 – 133
Reported Life (Hours)	L70 / > 200,000

Certifications & Test Data

- cULus Listed for Wet Location
- Driver rated for FCC part 15 Class B for use in residential or commercial applications



CATALOG LOGIC



Notes:

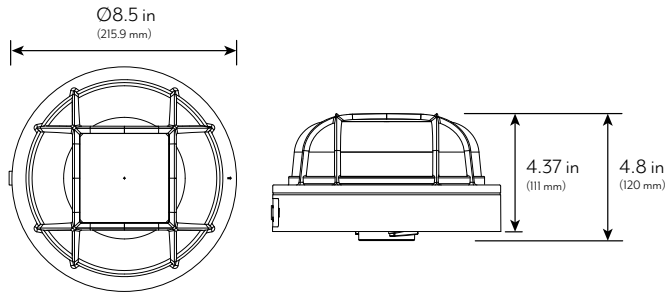
- Ships at 2700K CCT. Installing contractor responsible for ensuring desired CCT selected during installation.

STOCK ORDERING INFORMATION

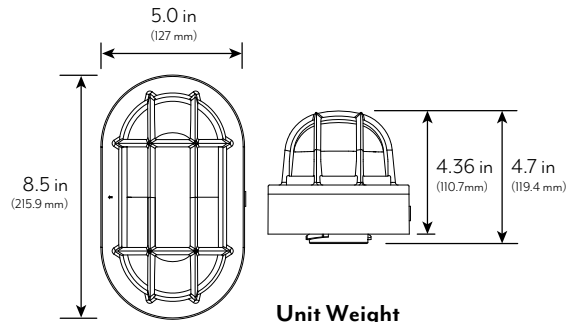
CATALOG PART NUMBER	ORDER NUMBER	DESCRIPTION	CASE QTY	CRI	CCT	WATTS (NOM.)	LUMEN PKG. ¹	DELIVERED LUMENS	LPW	VOLTAGE	DIM
MBRD-8.5IN-8-3CP-MV-WT	504081020	8.5" Round Bulkhead	2	80+	2700K	7	800	836	119	120-277V	Non-Dimmable
					3000K	7	800	876	128		
					4000K	7	800	904	129		
MBOV-8.5IN-8-3CP-MV-WT	504071020	8.5" Oval Bulkhead	2	80+	2700K	7	800	862	121	120-277V	Non-Dimmable
					3000K	7	800	918	131		
					4000K	7	800	955	133		

Notes: 1. For more delivered lumens and test data see pages 3, or visit etissl.com

DIMENSIONS / DETAILS



Unit Weight
2.97 lbs.



Unit Weight
2.09 lbs.



QUICK AND EASY INSTALLATION



PERFORMANCE / DATA

Lumen Maintenance

Ambient Temp.	TM-21 Lumen Maintenance (54,000 hours)
25° C (77° F)	> 90%
Ambient Temp.	TM-21 Theoretical L70 (hours)
25° C (77° F)	> 200,000

Load Information

Power Factor	> 0.90
THD	< 20%
Frequency	50/60 Hz
Low Temp Start / Max Temp	-4°F to 113°F (-20°C to 45°C)

PHOTOMETRIC SAMPLES

