

DATE:	PROJECT:
TYPE:	NOTES:
CATALOG #:	

FME | OUTDOOR OCTAGON FLUSH MOUNTS

3 CCT COLOR PREFERENCE®

KEY FEATURES

ETI's Octagon Outdoor Flush Mounts are wet location rated and ideal for commercial covered outdoor applications.

- ETI's patented Color Preference with 3 Selectable CCTs (3000K, 4000K, 5000K)

SPECIFICATIONS

Construction

- Modern fixture with white or black trim
- White acrylic shade

Optics

- Diffuser lens for zero pixelation and overall visual comfort
- Uniform, even light distribution

Installation and Function

- Hardwire - mounting hardware included.
- Choose from 3 field-selectable CCTs—3000/4000/5000K
Factory set at 3000K

Electrical

- 50,000 hour LEDs at L70 for reduced maintenance
- Operates at 120-277V, 50/60Hz
- Operating temperature: -4°F to 113°F (-20°C to 45°C)
- Non-Dimmable
- ETI's patented 3 CCT COLOR PREFERENCE® allowing for easy field-adjustable color temperature selection with switch located on back of luminaire

Warranty

5-Year Standard Warranty. See terms at: [ETISSL.com/warranty/](https://www.etissl.com/warranty/)



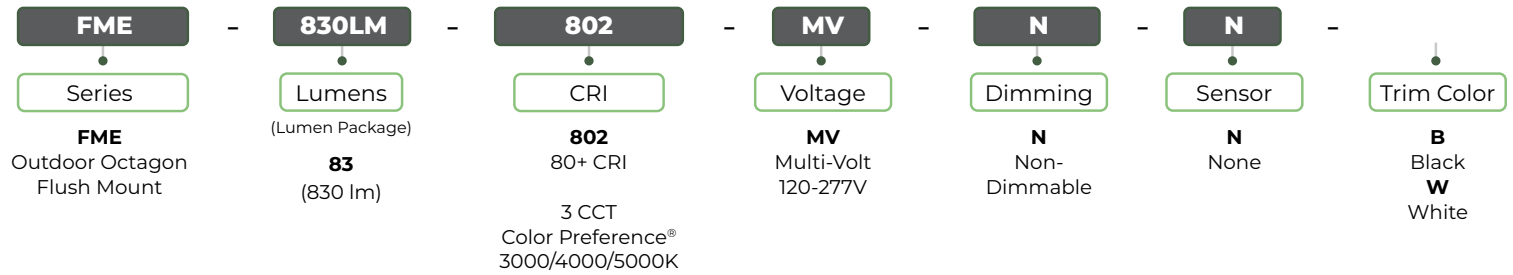
KEY DATA	
Lumen Range	979 – 1028
Wattage Range	11.2 – 12.6
Efficacy (LPW) Range	84 – 92
Reported Life (Hours)	L70 / 50,000

Certifications & Test Data

- cULus Listed for Damp Location
- Driver rated for FCC part 15 Class B for use in residential or commercial applications



CATALOG LOGIC

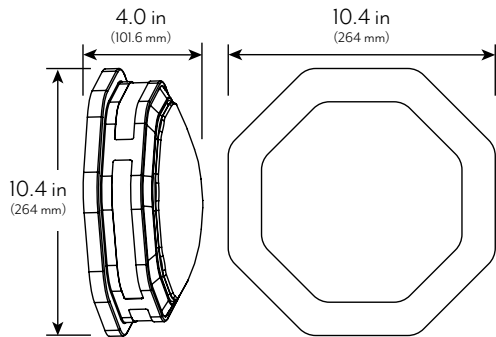


STOCK ORDERING INFORMATION

CATALOG PART NUMBER	ORDER NUMBER	DESCRIPTION	CASE QTY	CRI	CCT	WATTS (NOM.)	LUMEN PKG. ¹	DELIVERED LUMENS	LPW	VOLTAGE	DIM
FME-83-802-MV-N-N-B	54466101	11" Octagon Outdoor Flush Mount, Black Finish	6	80+	3000K	12.5	830	985	85	120V	Non-Dimmable
					4000K	12.5	830	1028	92		
					5000K	12.5	830	979	84		
FME-83-802-MV-N-N-W	54466201	11" Octagon Outdoor Flush Mount, White Finish	6	80+	3000K	12.5	830	985	85	120V	Non-Dimmable
					4000K	12.5	830	1028	92		
					5000K	12.5	830	979	84		

Notes: 1. For more delivered lumens and test data below, or visit etissl.com

DIMENSIONS / DETAILS



Unit Weight
1.83 lbs.

PERFORMANCE / DATA

Lumen Maintenance

Ambient Temp.	TM-21 Lumen Maintenance (54,000 hours)
25° C (77° F)	> 70%
Ambient Temp.	TM-21 Theoretical L70 (hours)
25° C (77° F)	50,000

Load Information

Power Factor	> 0.90
THD	< 20%
Frequency	50/60 Hz
Low Temp Start / Max Temp	-4°F to 113°F (-20°C to 45°C)

PHOTOMETRIC SAMPLE

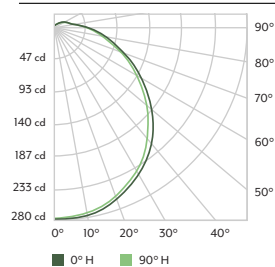


Luminaire Data:

CCT & CRI	4000K, 80+ CRI
DELIVERED LUMENS	1028
WATTAGE	11.20W
EFFICACY	92
SPACING	0° = 1.31 90° = 1.29

Photometric values based on tests performed in compliance with LM-63 & LM-79

Candela Plot



120°
Beam Angle