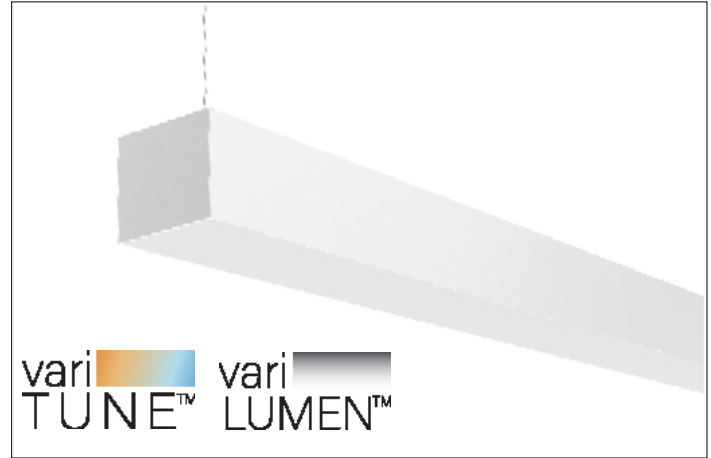


variLine™ Direct 4"

Surface, Suspended, Recessed & Wall Mount

PRODUCT OVERVIEW:

- Variety of widths to use (1.5", 2", 3", or 4") for a family approach to lighting
- Surface, Suspended Mount, or Recessed Mount
- Extruded aluminum housing, aluminum end caps
- 0-10V dimming to 1% standard
- variTune™ - 4 CCT selectable (2700K, 3000K, 3500K, 4000K; 90+ CRI)
- variLumen™ - 3 lumen output selectable
- Optional set lumen output and CCT for energy code compliance



PHOTOMETRY

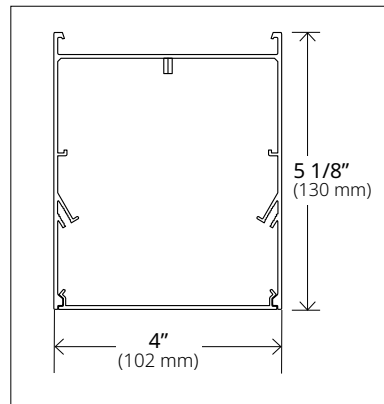
Direct Diffuse White Optic (DW)

Output	lm/ft	W/ft	lm/W
High	1700	12.5	136

Direct Wall Wash Optic (WW)

Output	lm/ft	W/ft	lm/W
High	1781.2	12.97	136.5

Calculated based on 4000K - for complete photometry overviews, see page 4.



For technical details and installation manual, visit [product page](#)



Date: _____ Quantity: _____ Type: _____ Customer: _____

Project Name: _____

Comments: _____

CATALOG CODE:

ORDERING INFORMATION

VLD4					
Series	Length	Finish	Lumens ¹	CCT	Distribution
VLD4¹ variLine™ Direct 4" aperture	2 2 foot	WH White	VL3 variLumen™	VT4 variTune™	DIRECT DW Diffuse White WW Wall Wash
	3 3 foot		BK Black	or select single option from each column below	
	4 4 foot	HO High Output (0000 lm/f)		27 2700K	
	8 8 foot	MO Medium Output (0000 lm/f)		30 3000K	
	Rx^{2,5} Run	LO Low Output (0000 lm/f)	35 3500K		
			CXXX Custom lm/f Consult Factory for Custom Output	40 4000K All Products 90+ CRI	

UNV	D01	Mounting		Electrical ⁶
Voltage	Dimming			
UNV 120V through 277V	D01 0-10V Dimming to 1%	SUSP⁴ Suspended (Standard 8')	RECF Recessed Flanged (Hard Ceiling)	(blank) No Options EC Emergency Circuit EM Emergency Battery
		EXT SUSP⁴ Suspended (Extended 15')	RECFL Recessed Flangeless	
		CUX SUSP⁴ Custom Length (Consult Factory)	WALL⁵ Wall Mount	
		SMT Surface	see page 6	

ORDERING NOTES

- For other sizes, distributions, or mountings, see more variLine™ spec sheets at www.etissl.com/aura-architectural/
- For fixture Run lengths, see "variLine™ Runs Layout Guide" online. Run lengths specified do not include any length of corners selected. See page 5 for details. Longer runs are established by combining 2', 3', 4' and 8' lengths. See chart on page 7 for details on how to achieve desired length in 1' increments
- Select VL3 and VT4 for field-selectable lumen output / CCT, or choose one of the preset power levels and CCTs—see output chart on page 4 for details.
- Standard suspended air craft cable is 8'. Extended is 15'. Consult factory for longer lengths
- Wall mount available in 4-FT increments only.
- Emergency options available for increments of 4' or 8' fixtures or Runs. See page 3 for details.
- Rolled Lens suggested for all runs where 2 or more straight fixture sections are joined.

TECHNICAL INFORMATION

CONSTRUCTION

Housing

- 6063-T6 Extruded aluminum housing, die-cast aluminum end caps
- 14 Ga Cold rolled steel gear trays are powder coated high-reflectance white for optimal performance.
- Standard lengths are 2', 3', 4', and 8', with the option to combine for continuous runs.
- Acrylic snap-in lensing offers a variety of distributions in Both Direct, Indirect, and wall wash applications with a Diffuse (DW) Distribution.

Finish

- Powder coating available in White (WH) or Black (BK). For custom colors (CU), please consult factory.



White (WH)



Black (BK)

MOUNTING

Suspended Mount

8' aircraft cable mounting, suspended by air craft cable and color matching power feed and canopies. Consult with factory for other suspended mounting options.

Surface Mount

Hardware provided to secure to mount on surface

Wall Mount

Includes French cleat(s) and side entry power

Recessed Mount

For hard ceiling only

See page 6 for additional details and mounting accessories.

ELECTRICAL

- Proprietary high performing LED light engine offers LEDs in both 2700K and 4000K, which allow field-selectable CCTs tuning of 2700K, 3000K, 3500K, and 4000K; with a Color Rendering Index (CRI) of 90+ and R9 >50.
- Class 2, Class P integral driver allows for field-selectable or factory-set output. Driver is 120-277V, with power factor >0.9 and THD <15%. 0-10V dimming down to 1%. Integral surge protection of 2Kv 1kA.
- Optional integral Emergency Battery Pack is compatible with 4' or 8' length runs only. The emergency battery pack is 10W, which produces approximately 1250 lumens (per 4-foot) for 90 minutes.
- Clean aesthetics are created with a remote location Push-to-Test Switch.

JOINER CONNECTIONS

- Joiners are uniquely designed with built-in features to tighten seams and prevent light leaks. See spec sheet for joiner and transition options.

LENSING

- All fixtures are supplied with the Diffused White (DW) lens option. Wall Wash (WW) also available.

Continuous Lens (DW):

48' Field cuttable Rolled Lens must be ordered and is suggested for all runs where 2 or more straight fixture sections are joined. (Part# RL48)

WEIGHTS

Size	Weight	
2 foot	5.25 lbs.	2.38 kg
3 foot	7.80 lbs.	3.53 kg
4 foot	10.10 lbs.	4.58 kg
8 foot	21.16 lbs.	9.60 kg

LUMEN MAINTENANCE

- L70 >50,000 hours at 25°C per TM-21 reports. For additional photometric information, scroll down to page 4.

AMBIENT ENVIRONMENT

- Ambient temperatures from -20°C (-4°F) to 45°C (113°F) and suitable for dry and damp locations, indoors only.

CERTIFICATIONS AND LABELS

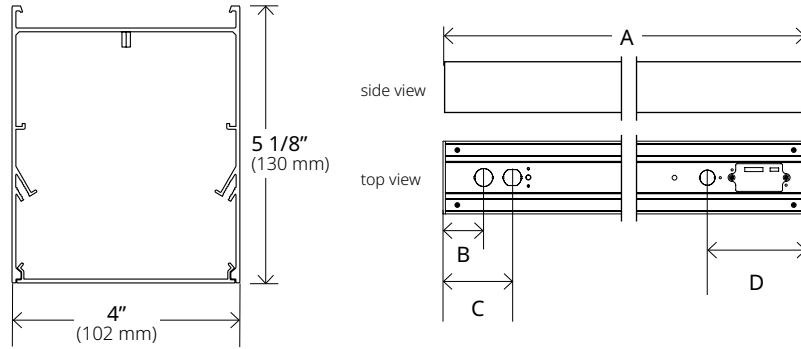
- ETL Listed and vigorously tested to UL1598 standards
- RoHS compliant

Warranty

AURA Architectural by ETI Lighting backs our products with a 7-year warranty to the original purchaser. This limited warranty assures that the fixture will be free from defects in material, manufacturing, and workmanship for up to 7 years from the original ship date when installed and operated according to the intended purpose by a professional. For any additional warranty questions, please contact technical support at (877) 476-9384.

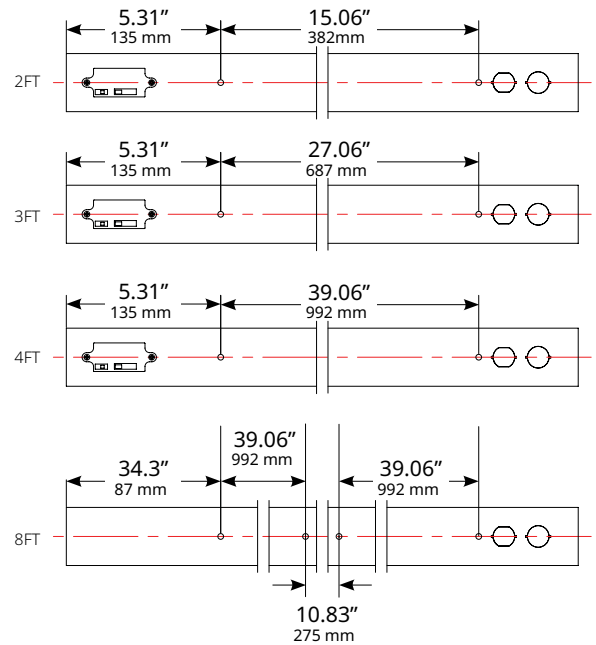
DIMENSIONS

Sectional View



	"A" length of housing; with end caps		"B" Knockout 1		"C" Knockout 2		"D" Knockout 3	
2 Ft	24"	604 mm	1.69"	43 mm	2.87"	73 mm	4.06"	103 mm
3 Ft	36"	687 mm						
4 Ft	48"	992 mm						
8 Ft	96"	2435 mm						

Mounting Dimensions



ENERGY CONSUMPTION WATTS PER 4FT

Luminaires are 1700 lm/ft (nominal)*

2-Foot	DW	WW	4-Foot	DW	WW
LUMEN OUTPUT	3400	3550	LUMEN OUTPUT	6800	7100
WATTAGE	25	26	WATTAGE	50	52
EFFICACY	136	136	EFFICACY	136	136

3-Foot	DW	WW	8-Foot	DW	WW
LUMEN OUTPUT	5100	5325	LUMEN OUTPUT	13600	14200
WATTAGE	37.5	39	WATTAGE	100	104
EFFICACY	136	136	EFFICACY	136	136

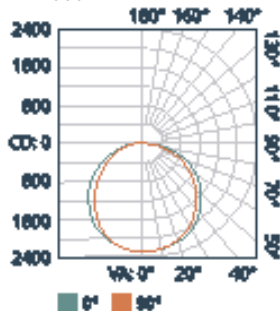
Downlight	Multipliers
HO	100%
MO	80%
LO	60%

CCT	Multipliers
4000K	100.0%
3500K	98.6%
3000K	96.1%
2700K	93.5%

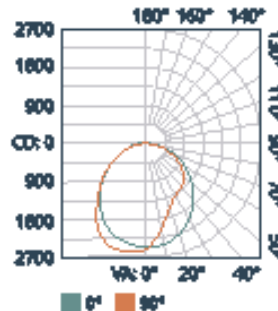
*Values based on 4000K at the maximum lumen output selected. All Values are Nominal, based on 1700 lm/ft.

4-FT PHOTOMETRY (Based on 4000K at the maximum lumen output selected)

ISOCANDELA PLOT SAMPLES DW 4000K



ISOCANDELA PLOT SAMPLES WW 4000K



8-FT (multiply by 2)
2-FT (multiply by .5)
3-FT (multiply by .75)

[Download IES FILES](#)

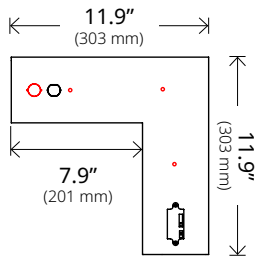
INTERSECTIONS¹

Available in White (WH) or Black (BK).

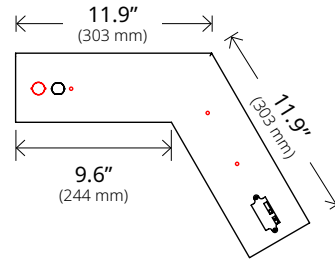
Run lengths with intersections do not include the intersection length.

For other configurations or colors, please consult factory.

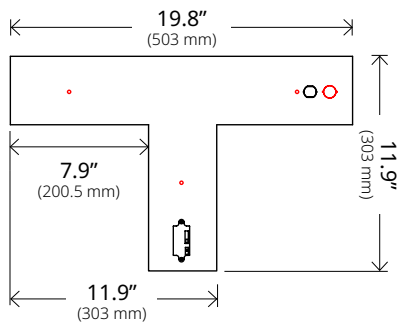
VLS4-L90 - Lit 90° Intersection



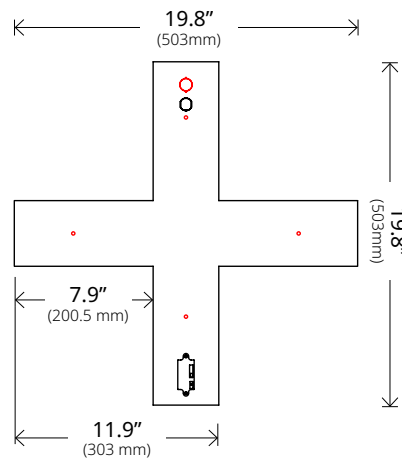
VLS4-L120 - Lit 120° Intersection



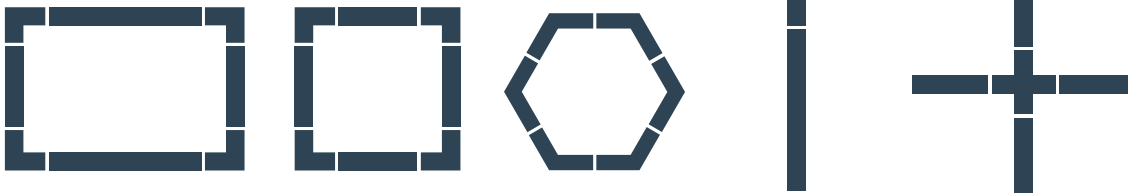
VLS4-T - Lit "T" Intersection



VLS4-X - Lit "X" Intersection



GEOMETRIC PATTERN EXAMPLES²



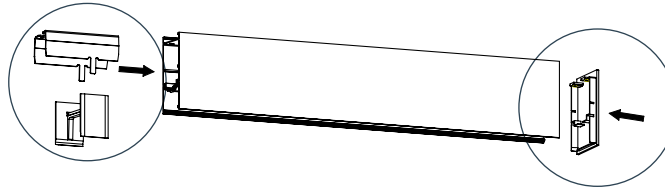
Notes:

1. Intersections are powered independently of the main fixture and are available in direct light distribution only. Intersections rely on the main run for mounting.
2. Consult factory for complex layouts

INSTALLATION COMPONENTS¹

Joiner

VLOPT-JK4
(VL4 Joiner)



End Plate

VLOPT-VL4-ENCP-WH
(VL4 Endcap White)

VLOPT-VL4-ENCP-BK
(VL4 Endcap Black)

ACCESSORIES

Mounting Kits and Accessories^{1,2}

SUSPENDED MOUNTING³

Power Feed Kit^{5,6}

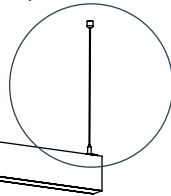
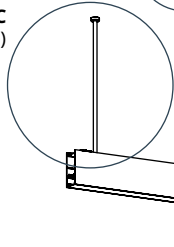
VLOPT-FCC
(8-Ft Cable)



Canopy Kit⁴

VLOPT-CP-WHL
(Canopy Kit, White)

VLOPT-CP-BKL
(Canopy Kit, Black)

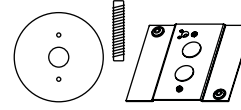


Aircraft Cable⁶

VLOPT-AC
(8-Ft Cable)

VLOPT-AC15
(15-Ft Cable)
Option

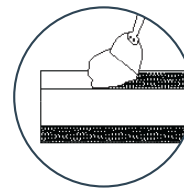
SURFACE MOUNTING



Surface Mount Kit

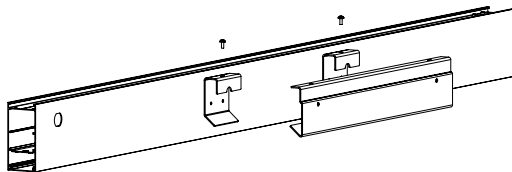
VLOPT-SFD4
(Anchor, Cover and Bracket)

RECESSED FLANGELESS



Mud-In Mounting Hardware

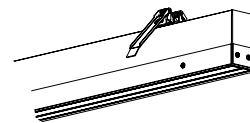
WALL MOUNTING



Wall Mount Kit⁷

Bracket (Attached to Fixture), Cover, Anchors, French Cleat and Self-Tapping Screws

RECESSED FLANGED



Recessed Retention Arms

VLOPT-SBKS

Flange and Trim Kit

Flange and Trims to match product length.

Lensing Options

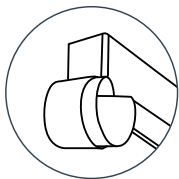
WW

Wall Wash

VLOPT-LEND1

Continuous Lens, 48' – field cuttable; suggested for all runs where 2 or more straight fixture sections are joined.

Note: Rolled Lens (VLOPT-LEND4) only available with Diffuse White (DW) for Direct side of fixture.

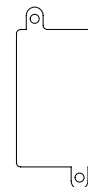


Tamper-Proof Switch Cover

(Included with non field adjustable options only)

VLOPT-SWCP-WH
(White Cover)

VLOPT-SWCP-BK
(Black Cover)



- Notes:**
1. See chart on page 7 for what is included with each length.
 2. Limited mounting hardware provided. Person installing may want to use their own additional mounting screws, hangers, clips, etc.
 3. Suspension hardware provided to support at every 12' feet, and no more than 10' can be suspended without support. Mounting points can be adjusted and set on site throughout entire length of run.

4. Canopy includes both large and small size
5. 2 Power Feed Kits Needed for Selective Switching
6. Default cable is 8'. Longer aircraft and power feeds available
7. Wall mount available in 4-FT increments only.
8. All hardware is included based on mount configuration ordered. For quantities see page 7
9. Packaging may contain extra hardware to use at installers discretion.

RUN CONFIGURATION

FIXTURE LENGTHS AND QTY								Required PARTS		SURFACE MOUNT	SUSPENDED MOUNT		RECESSED MOUNT	
Linear Run (Feet)	Recommended Configuration (Using 2', 3', 4', and 8' Lengths)							Total # Fixtures	End Caps	Joiners	Hardware	Power Feed	Aircraft Cable	Retention Arms
2	2						1	2	0	2	1	2	2	
3	3						1	2	0	2	1	2	2	
4	4						1	2	0	2	1	2	2	
5	2	3					2	2	1	2	1	2	3	
6	3	3					2	2	1	2	1	2	3	
7	3	4					2	2	1	2	1	2	3	
8	8						1	2	0	2	1	2	3	
9	3	3	3				3	2	2	2	1	2	3	
10	4	2	4				3	2	2	2	1	2	4	
11	8	3					2	2	1	2	1	2	4	
12	8	4					2	2	1	2	1	2	5	
13	8	3	2				3	2	2	3	1	3	5	
14	8	3	3				3	2	2	3	1	3	5	
15	8	3	4				3	2	2	3	1	3	6	
16	8	8					2	2	1	3	1	3	6	
17	8	4	3	2			4	2	3	3	1	3	7	
18	8	2	8				3	2	2	3	1	3	7	
19	8	8	3				3	2	2	3	1	3	7	
20	8	8	4				3	2	2	3	1	3	8	
21	8	8	2	3			4	2	3	3	1	3	8	
22	8	3	3	8			4	2	3	3	1	3	8	
23	8	8	3	4			4	2	3	3	1	3	9	
24	8	8	8				3	2	2	3	1	3	9	
25	8	8	3	3	3		5	2	4	4	1	4	9	
26	8	8	8	2			4	2	3	4	1	4	10	
27	8	8	8	3			4	2	3	4	1	4	10	
28	8	8	8	4			4	2	3	4	1	4	11	
29	8	8	8	3	2		5	2	4	4	1	4	11	
30	8	8	8	3	3		5	2	4	4	1	4	11	
31	8	8	8	4	3		5	2	4	4	1	4	12	
32	8	8	8	8			4	2	3	4	1	4	12	
33	8	8	8	3	3	3	6	2	5	4	1	4	12	
34	8	8	8	8	2		5	2	4	4	1	4	13	
35	8	8	8	8	3		5	2	4	4	1	4	13	
36	8	8	8	8	4		5	2	4	4	1	4	14	
37	8	8	8	8	2	3	6	2	5	5	1	5	14	
38	8	8	8	8	3	3	6	2	5	5	1	5	14	
39	8	8	8	8	4	3	6	2	5	5	1	5	15	
40	8	8	8	8	8		5	2	4	5	1	5	15	
41	8	8	8	8	3	3	7	2	6	5	1	5	15	
42	8	8	8	8	8	2	6	2	5	5	1	5	16	
43	8	8	8	8	8	3	6	2	5	5	1	5	16	
44	8	8	8	8	8	4	6	2	5	5	1	5	17	
45	8	8	8	8	4	3	8	2	7	5	1	5	17	
46	8	8	8	8	8	3	7	2	6	5	1	5	17	
47	8	8	8	8	8	4	7	2	6	5	1	5	18	
48	8	8	8	8	8	8	6	2	5	6	1	6	18	

Note: Customized configurations also available. Contact (847) 821-6550 for more information.