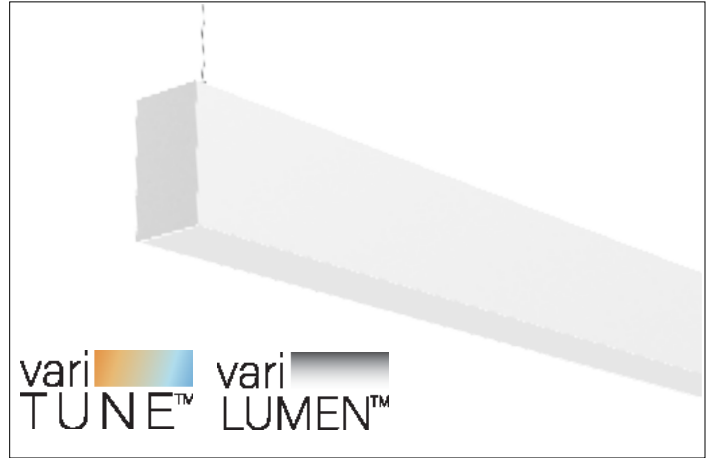


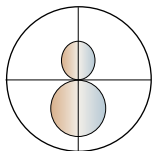
## variLine™ Direct/Indirect 1.5" Suspended Mount

### PRODUCT OVERVIEW:

- Variety of widths to use (1.5", 2", 3", or 4") for a family approach to lighting
- Suspended Mount Kits Available
- Extruded aluminum housing, aluminum end caps
- 0-10V dimming to 1% standard
- variTune™ - 4 CCT selectable (2700K, 3000K, 3500K, 4000K; 90+ CRI)
- variLumen™ - 3 lumen output selectable
- Optional set lumen output and CCT for energy code compliance
- Asymmetric Batwing (BW) distribution available

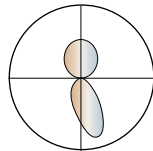


### PHOTOMETRY



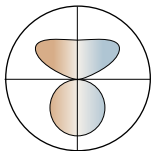
Direct (DW) / Indirect (DW)

Output	lm/ft	W/ft	lm/W
High	1710.25	13.7	125



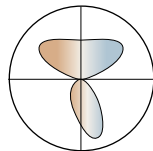
Direct (WW) / Indirect (DW)

Output	lm/ft	W/ft	lm/W
High	1682	13.12	128



Direct (DW) / Indirect (BW)

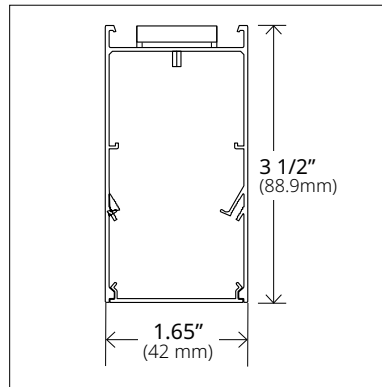
Output	lm/ft	W/ft	lm/W
High	1857	13.70	135



Direct (WW) / Indirect (BW)

Output	lm/ft	W/ft	lm/W
High	1828.75	13.10	139

Calculated based on 4000K - for more photometry information, see page 4.



For technical details and installation manual, visit [product page](#)



Date: \_\_\_\_\_ Quantity: \_\_\_\_\_ Type: \_\_\_\_\_ Customer: \_\_\_\_\_

Project Name: \_\_\_\_\_

Comments: \_\_\_\_\_

## variLine™ Direct/Indirect 1.5" Suspended Mount

**CATALOG CODE:**

**ORDERING INFORMATION**

VLDI1					
Series	Length	Finish	Lumens <sup>1</sup>	CCT	Distribution
<b>VLDI1<sup>1</sup></b> variLine™ Direct Indirect 1.5" aperture	<b>2</b> 2 foot	<b>WH</b> White	<b>VL3</b> variLumen™	<b>VT4</b> variTune™	<b>Direct/Indirect</b> <b>DW/DW</b> Diffuse White/ Diffuse White  <b>DW/BW</b> Diffuse White/Batwing  <b>WW/DW</b> Wall Wash/Diffuse White  <b>WW/BW</b> Wall Wash/Batwing
	<b>3</b> 3 foot	<b>BK</b> Black	or select single option from each column below		
	<b>4</b> 4 foot		<b>HO</b> High Output (0000 lm/f)	<b>27</b> 2700K	
	<b>8</b> 8 foot		<b>MO</b> Medium Output (0000 lm/f)	<b>30</b> 3000K	
	<b>Rx<sup>2,5</sup></b> Run		<b>LO</b> Low Output (0000 lm/f)	<b>35</b> 3500K	
		<b>CXXX</b> Custom lm/f	<b>40</b> 4000K		
		Consult Factory for Custom Output	All Products 90+ CRI		

UNV	D01	SUSP	
Voltage	Dimming	Mounting	Electrical
<b>UNV</b> 120V through 277V	<b>D01</b> 0-10V Dimming to 1%	<b>SUSP<sup>4</sup></b> Suspended (Standard 8')  <b>EXT SUSP<sup>4</sup></b> Suspended (Extended 15')  <b>CUx SUSP<sup>4</sup></b> Custom Length (Consult Factory)  see page 6	<b>(blank)</b> No Options  <b>DC<sup>5</sup></b> Dual Circuit  <b>EC<sup>6</sup></b> Emergency Circuit  <b>EM<sup>6</sup></b> Emergency Battery

**ORDERING NOTES**

- For other sizes, distributions, or mountings, see more variLine™ spec sheets at [www.etissl.com/aura-architectural/](http://www.etissl.com/aura-architectural/)
- For fixture Run lengths, see "variLine™ Runs Layout Guide" online. Run lengths specified do not include any length of corners selected. See page 5 for details. Longer runs are established by combining 2', 3', 4' and 8' lengths. See chart on page 6 for details on out to achieve the desired length.
- Select VL3 and VT4 for field-selectable lumen output / CCT, or choose one of the preset power levels and CCTs—see output chart on page 4 for details.
- Standard suspended air craft cable is 8'. Extended is 15'. Consult factory for longer lengths
- Direct switched separately from Indirect – includes a separate feed.
- Emergency options available for increments of 4' or 8' fixtures or Runs. See page 3 for details.
- Rolled Lens suggested for all runs where 2 or more straight fixture sections are joined.

## TECHNICAL INFORMATION

### CONSTRUCTION

#### Housing

- 6063-T6 Extruded aluminum housing, die-cast aluminum end caps
- 14 Ga Cold rolled steel gear trays are powder coated high-reflectance white for optimal performance.
- Standard lengths are 2', 3', 4', and 8', with the option to combine for continuous runs.
- Acrylic snap-in lensing offers a variety of distributions in Both Direct, Indirect, and wall wash applications with a Diffuse (DW) Distribution.

#### Finish

- Powder coating available in White (WH) or Black (BK). For custom colors (CU), please consult factory.



### MOUNTING

#### Suspended Mount

8' aircraft cable mounting, suspended by air craft cable and color matching power feed and canopies. Consult with factory for other suspended mounting options.

*See page 6 for additional details and mounting accessories.*

### ELECTRICAL

- Proprietary high performing LED light engine offers LEDs in both 2700K and 4000K, which allow field-selectable CCTs tuning of 2700K, 3000K, 3500K, and 4000K; with a Color Rendering Index (CRI) of 90+ and R9 >50.
- Class 2, Class P integral driver allows for field-selectable or factory-set output. Driver is 120-277V, with power factor >0.9 and THD <15%. 0-10V dimming down to 1%. Integral surge protection of 2Kv 1kA.
- Optional integral Emergency Battery Pack is compatible with 4' or 8' length runs only. The emergency battery pack is 10W, which produces approximately 1250 lumens (per 4-foot) for 90 minutes.
- Clean aesthetics are created with a remote location Push-to-Test Switch.

### JOINER CONNECTIONS

- Joiners are uniquely designed with built-in features to tighten seams and prevent light leaks. See spec sheet for joiner and transition options.

### LENSING

- All fixtures are supplied with the Diffused White (DW) lens option. Wall Wash (WW) and Bat Wing (BW) also available.

Continuous Lens (DW):

48' Field cuttable Rolled Lens must be ordered and is suggested for all runs where 2 or more straight fixture sections are joined. (Part# RL48)

### WEIGHTS

Size	Weight	
2 foot	2.87 lbs.	1.3 kg
3 foot	3.86 lbs.	1.75 kg
4 foot	4.85 lbs.	2.2 kg
8 foot	9.19 lbs.	4.17 kg

### LUMEN MAINTENANCE

- L70 > 50,000 hours at 25°C per TM-21 reports. For additional photometric information, scroll down to page 4.

### AMBIENT ENVIRONMENT

- Ambient temperatures from -20°C (-4°F) to 45°C (113°F) and suitable for dry and damp locations, indoors only.

### CERTIFICATIONS AND LABELS

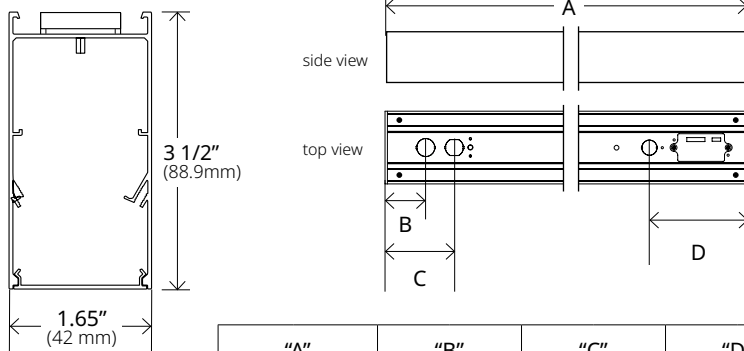
- ETL Listed and vigorously tested to UL1598 standards
- RoHS compliant

### Warranty

AURA Architectural by ETI Lighting backs our products with a 7-year warranty to the original purchaser. This limited warranty assures that the fixture will be free from defects in material, manufacturing, and workmanship for up to 7 years from the original ship date when installed and operated according to the intended purpose by a professional. For any additional warranty questions, please contact technical support at (877) 476-9384.

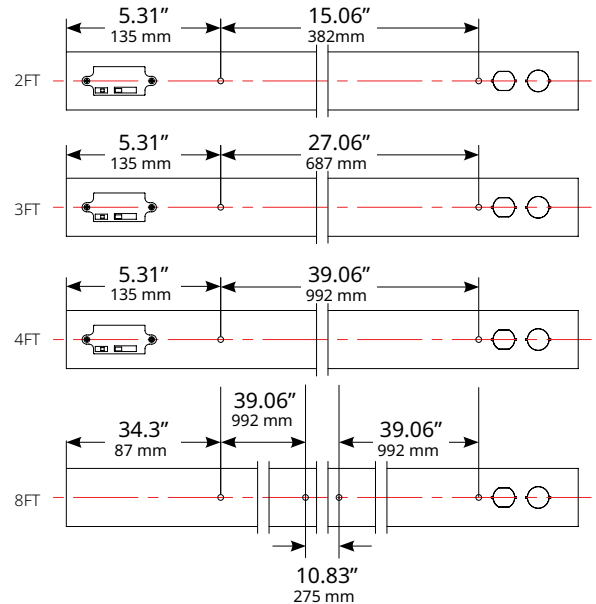
### DIMENSIONS

#### Sectional View



	"A" length of housing; with end caps		"B" Knockout 1		"C" Knockout 2		"D" Knockout 3	
2 Ft	24"	604 mm						
3 Ft	36"	687 mm	1.69"	43 mm	2.87"	73 mm	4.06"	103 mm
4 Ft	48"	992 mm						
8 Ft	96"	2435 mm						

#### Mounting Dimensions



### ENERGY CONSUMPTION

Luminaires are 1700 lm/ft at 100% output (delivered)\*

2-Foot	DW-DW	WW-DW	DW-BW	WW-BW
LUMEN OUTPUT	3400	3400	3750	3750
WATTAGE	27	27	27.5	27.5
EFFICACY	125	125	135	135

4-Foot	DW-DW	WW-DW	DW-BW	WW-BW
LUMEN OUTPUT	6800	6800	7500	7500
WATTAGE	54	54	55	55
EFFICACY	125	125	135	135

3-Foot	DW-DW	WW-DW	DW-BW	WW-BW
LUMEN OUTPUT	5100	5100	5625	5625
WATTAGE	41	41	41	41
EFFICACY	125	125	135	135

8-Foot	DW-DW	WW-DW	DW-BW	WW-BW
LUMEN OUTPUT	13600	13600	15000	15000
WATTAGE	108	108	110	110
EFFICACY	125	125	135	135

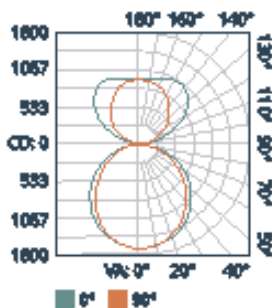
		Multipliers		
		Uplight		
Downlight	HO	100%	88%	81%
	MO	84%	80%	70%
	LO	74%	63%	60%

CCT	Multipliers
4000K	100.0%
3500K	98.6%
3000K	96.1%
2700K	93.5%

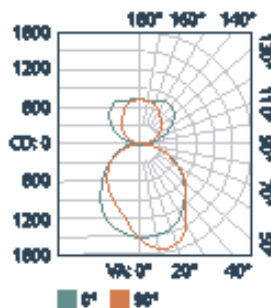
\*Values based on 4000K at the maximum lumen output selected. All Values are Nominal, based on 1700 lm/ft.

### 4-FT PHOTOMETRY (Based on 4000K at the maximum lumen output selected)

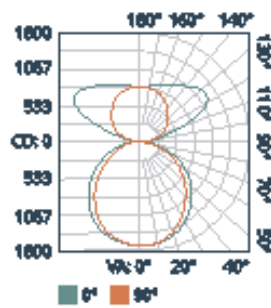
ISOCANDELA PLOT SAMPLES  
DW-DW 4000K



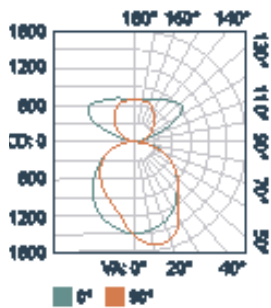
ISOCANDELA PLOT SAMPLES  
WW-DW 4000K



ISOCANDELA PLOT SAMPLES  
DW-BW 4000K



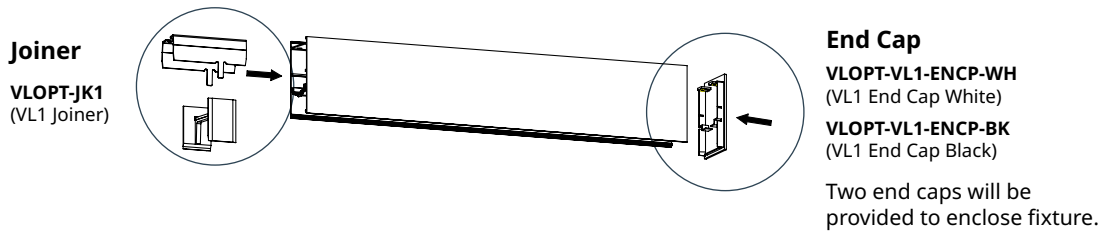
ISOCANDELA PLOT SAMPLES  
WW-BW 4000K



[Download IES FILES](#)

8-FT (multiply by 2)  
2-FT (multiply by .5)  
3-FT (multiply by .75)

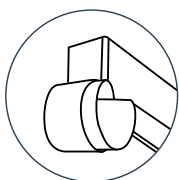
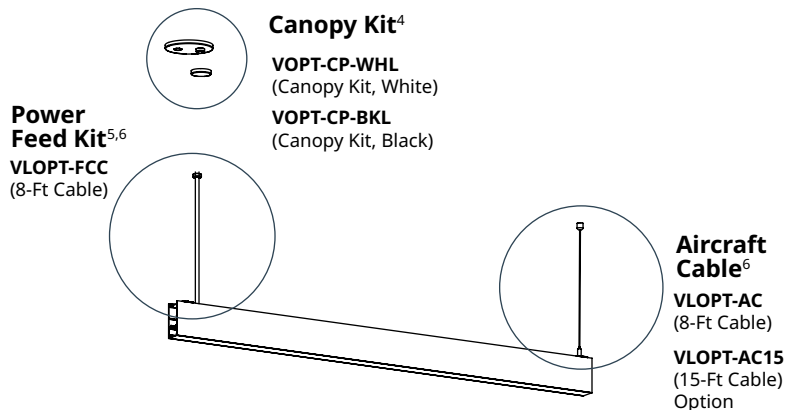
### INSTALLATION COMPONENTS<sup>1</sup>



### ACCESSORIES

#### Mounting Kits<sup>1,2</sup>

##### SUSPENDED MOUNTING<sup>3</sup>



#### Lensing Options

##### VLOPT-LEND1

Continuous Lens, 48' – field cuttable; suggested for all runs where 2 or more straight fixture sections are joined.

**Note:** Rolled Lens (VLOPT-LEND1) only available with Diffuse White (DW) for Direct side of fixture.

##### WW

Wall Wash

##### BW

Assymetrical Bat Wing

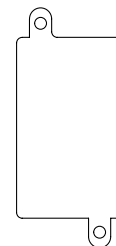
**Note:** Wall wash and bat wing lenses available in 2', 3', 4', and 8' lengths only

#### Tamper-Proof Switch Cover

(Included with non field adjustable options only)

VLOPT-SWCP-WH  
(White Cover)

VLOPT-SWCP-BK  
(Black Cover)



- Notes:**
1. See chart on page 6 for what is included with each length.
  2. Limited mounting hardware provided. Person installing may want to use their own additional mounting screws, hangers, clips, etc.
  3. Suspension hardware provided to support at every 12' feet, and no more than 10' can be suspended without support. Mounting points can be adjusted and set on site throughout entire length of run.

4. Canopy includes both large and small size
5. 2 Power Feed Kits Needed for Selective Switching
6. Default cable is 8'. Longer aircraft and power feeds available.

### RUN CONFIGURATION

FIXTURE LENGTHS AND QTY									REQUIRED PARTS		SUSPENDED MOUNT		
Linear Run (Feet)	Recommended Configuration (Using 2', 3', 4', and 8' Lengths)								Total # Fixtures	End Caps	Joiners	Power Feed	Aircraft Cable
2	2								1	2	0	1	2
3	3								1	2	0	1	2
4	4								1	2	0	1	2
5	2	3							2	2	1	1	2
6	3	3							2	2	1	1	2
7	3	4							2	2	1	1	2
8	8								1	2	0	1	2
9	3	3	3						3	2	2	1	2
10	4	2	4						3	2	2	1	2
11	8	3							2	2	1	1	2
12	8	4							2	2	1	1	2
13	8	3	2						3	2	2	1	3
14	8	3	3						3	2	2	1	3
15	8	3	4						3	2	2	1	3
16	8	8							2	2	1	1	3
17	8	4	3	2					4	2	3	1	3
18	8	2	8						3	2	2	1	3
19	8	8	3						3	2	2	1	3
20	8	8	4						3	2	2	1	3
21	8	8	2	3					4	2	3	1	3
22	8	3	3	8					4	2	3	1	3
23	8	8	3	4					4	2	3	1	3
24	8	8	8						3	2	2	1	3
25	8	8	3	3	3				5	2	4	1	4
26	8	8	8	2					4	2	3	1	4
27	8	8	8	3					4	2	3	1	4
28	8	8	8	4					4	2	3	1	4
29	8	8	8	3	2				5	2	4	1	4
30	8	8	8	3	3				5	2	4	1	4
31	8	8	8	4	3				5	2	4	1	4
32	8	8	8	8					4	2	3	1	4
33	8	8	8	3	3	3			6	2	5	1	4
34	8	8	8	8	2				5	2	4	1	4
35	8	8	8	8	3				5	2	4	1	4
36	8	8	8	8	4				5	2	4	1	4
37	8	8	8	8	2	3			6	2	5	1	5
38	8	8	8	8	3	3			6	2	5	1	5
39	8	8	8	8	4	3			6	2	5	1	5
40	8	8	8	8	8				5	2	4	1	5
41	8	8	8	8	3	3	3		7	2	6	1	5
42	8	8	8	8	8	2			6	2	5	1	5
43	8	8	8	8	8	3			6	2	5	1	5
44	8	8	8	8	8	4			6	2	5	1	5
45	8	8	8	8	4	3	3	3	8	2	7	1	5
46	8	8	8	8	8	3	3		7	2	6	1	5
47	8	8	8	8	8	4	3		7	2	6	1	5
48	8	8	8	8	8	8			6	2	5	1	6

Note: Customized configurations also available. Contact (847) 821-6550 for more information.