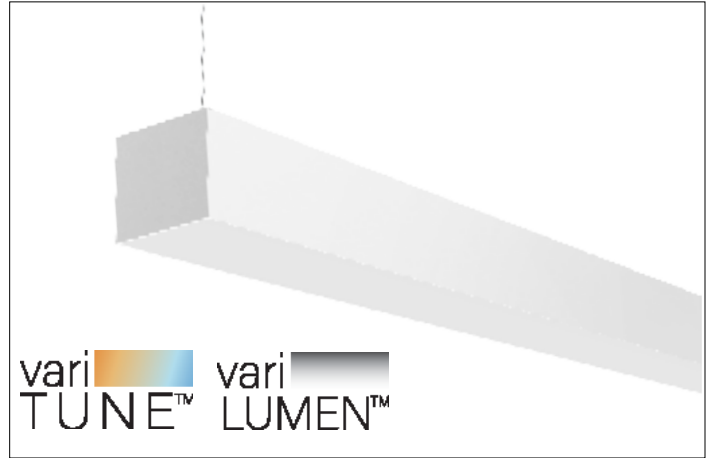


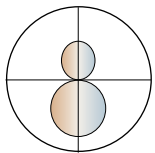
variLine™ Direct/Indirect 4" Suspended & Wall Mount

PRODUCT OVERVIEW:

- Variety of widths to use (1.5", 2", 3", or 4") for a family approach to lighting
- Suspended Mount Kits Available
- Extruded aluminum housing, aluminum end caps
- 0-10V dimming to 1% standard
- variTune™ - 4 CCT selectable (2700K, 3000K, 3500K, 4000K; 90+ CRI)
- variLumen™ - 3 lumen output selectable
- Optional set lumen output and CCT for energy code compliance
- Asymmetric Batwing (BW) distribution available

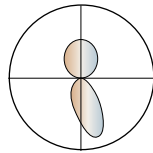


PHOTOMETRY



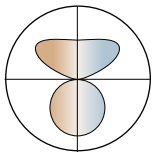
Direct (DW) / Indirect (DW)

Output	lm/ft	W/ft	lm/W
High	2953.75	23.9	124



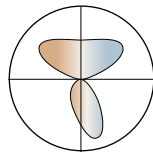
Direct (WW) / Indirect (DW)

Output	lm/ft	W/ft	lm/W
High	2930.25	23.7	124



Direct (DW) / Indirect (BW)

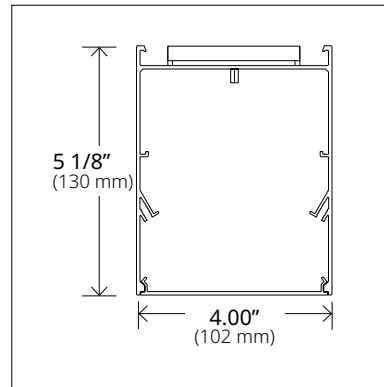
Output	lm/ft	W/ft	lm/W
High	2428.25	17.9	



Direct (WW) / Indirect (BW)

Output	lm/ft	W/ft	lm/W
High	2543.75	17.9	142

Calculated based on 4000K - for more photometry information, see page 4.



For technical details and installation manual, visit [product page](#)



Date: _____ Quantity: _____ Type: _____ Customer: _____

Project Name: _____

Comments: _____

CATALOG CODE:

ORDERING INFORMATION

VLDI3					
Series	Length	Finish	Lumens ¹	CCT	Distribution
VLDI4¹ variLine™ Direct Indirect 4" aperture	2 2 foot	WH White	VL3 variLumen™	VT4 variTune™	Direct/Indirect DW/DW Diffuse White/ Diffuse White
	3 3 foot		BK Black	or select single option from each column below	
	4 4 foot	HO High Output (0000 lm/f)		27 2700K	DW/BW Diffuse White/Batwing WW/DW Wall Wash/Diffuse White
	8 8 foot	MO Medium Output (0000 lm/f)		30 3000K	
	Rx^{2,5} Run	LO Low Output (0000 lm/f)	35 3500K		
			CXXX Custom lm/f	40 4000K	WW/BW Wall Wash/Batwing
			Consult Factory for Custom Output	All Products 90+ CRI	

UNV	D01	SUSP	
Voltage	Dimming	Mounting	Electrical
UNV 120V through 277V	D01 0-10V Dimming to 1%	SUSP⁴ Suspended (Standard 8') EXT SUSP⁴ Suspended (Extended 15') CUx SUSP⁴ Custom Length (Consult Factory) WALL⁵ Wall Mount see page 6	(blank) No Options DC⁶ Dual Circuit EC⁷ Emergency Circuit EM⁷ Emergency Battery

ORDERING NOTES

- For other sizes, distributions, or mountings, see more variLine™ spec sheets at www.etissl.com/aura-architectural/
- For fixture Run lengths, see "variLine™ Runs Layout Guide" online. Run lengths specified do not include any length of corners selected. See page 5 for details. Longer runs are established by combining 2', 3', 4' and 8' lengths. See chart on page 7 for details on out to achieve the desired length.
- Select VL3 and VT4 for field-selectable lumen output / CCT, or choose one of the preset power levels and CCTs—see output chart on page 4 for details.
- Standard suspended air craft cable is 8'. Extended is 15'. Consult factory for longer lengths
- Wall mount available in 4-FT increments only.
- Direct switched separately from Indirect – includes a separate feed.
- Emergency options available for increments of 4' or 8' fixtures or Runs. See page 3 for details.
- Rolled Lens suggested for all runs where 2 or more straight fixture sections are joined.

TECHNICAL INFORMATION

CONSTRUCTION

Housing

- 6063-T6 Extruded aluminum housing, die-cast aluminum end caps
- 14 Ga Cold rolled steel gear trays are powder coated high-reflectance white for optimal performance.
- Standard lengths are 2', 3', 4', and 8', with the option to combine for continuous runs.
- Acrylic snap-in lensing offers a variety of distributions in Both Direct, Indirect, and wall wash applications with a Diffuse (DW) Distribution.

Finish

- Powder coating available in White (WH) or Black (BK). For custom colors (CU), please consult factory.



MOUNTING

Suspended Mount

8' aircraft cable mounting with a color matching White or Black Power feed and canopy. Consult with factory for other suspended mounting options.

See page 6 for additional details and mounting accessories.

ELECTRICAL

- Proprietary high performing LED light engine offers LEDs in both 2700K and 4000K, which allow field-selectable CCTs tuning of 2700K, 3000K, 3500K, and 4000K; with a Color Rendering Index (CRI) of 90+ and R9 >50.
- Class 2, Class P integral driver allows for field-selectable or factory-set output. Driver is 120-277V, with power factor >0.9 and THD <15%. 0-10V dimming down to 1%. Integral surge protection of 2Kv 1kA.
- Optional integral Emergency Battery Pack is compatible with 4' or 8' length runs only. The emergency battery pack is 10W, which produces approximately 1250 lumens (per 4-foot) for 90 minutes.
- Clean aesthetics are created with a remote location Push-to-Test Switch.

JOINER CONNECTIONS

- Joiners are uniquely designed with built-in features to tighten seams and prevent light leaks. See spec sheet for joiner and transition options.

LENSING

- All fixtures are supplied with the Diffused White (DW) lens option. Wall Wash (WW) and Bat Wing (BW) also available.

Continuous Lens (DW):

48' Field cuttable Rolled Lens must be ordered and is suggested for all runs where 2 or more straight fixture sections are joined. (Part# RL48)

WEIGHTS

Size	Weight	
2 foot	5.86 lbs.	2.66 kg
3 foot	8.51 lbs.	3.86 kg
4 foot	10.89 lbs.	4.94 kg
8 foot	22.84 lbs.	10.36 kg

LUMEN MAINTENANCE

- L70 >50,000 hours at 25°C per TM-21 reports. For additional photometric information, scroll down to page 5.

AMBIENT ENVIRONMENT

- Ambient temperatures from -20°C (-4°F) to 45°C (113°F) and suitable for dry and damp locations, indoors only.

CERTIFICATIONS AND LABELS

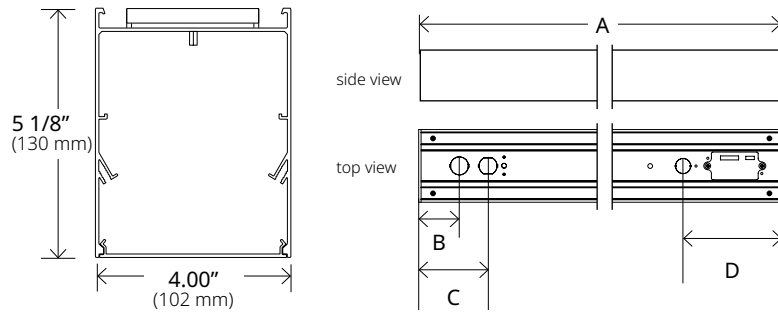
- ETL Listed and vigorously tested to UL1598 standards
- RoHS compliant

Warranty

AURA Architectural backs our products with a 7-year warranty to the original purchaser. This limited warranty assures that the fixture will be free from defects in material, manufacturing, and workmanship for up to 7 years from the original ship date when installed and operated according to the intended purpose by a professional. For any additional warranty questions, please contact technical support at (877) 476-9384.

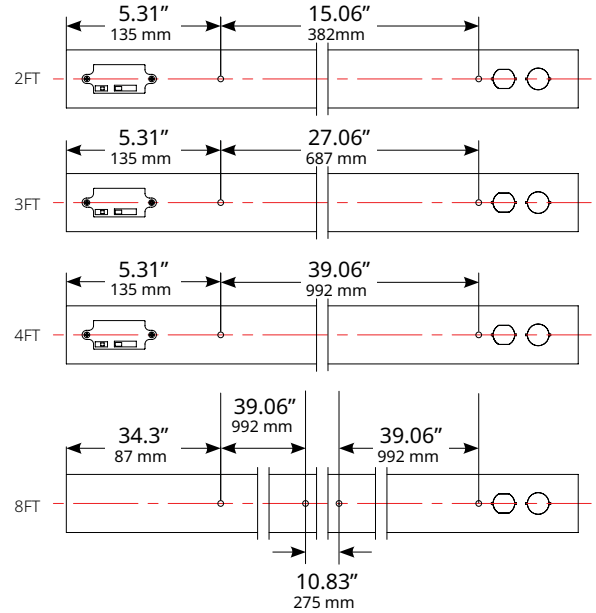
DIMENSIONS

Sectional View



	"A" length of housing; with end caps		"B" Knockout 1		"C" Knockout 2		"D" Knockout 3	
2 Ft	24"	604 mm						
3 Ft	36"	687 mm	1.69"	43 mm	2.87"	73 mm	4.06"	103 mm
4 Ft	48"	992 mm						
8 Ft	96"	2435 mm						

Mounting Dimensions



ENERGY CONSUMPTION WATTS PER 4FT

Luminaires are 2950 lm/ft at 100% output (delivered)

2-Foot	DW-DW	WW-DW	DW-BW	WW-BW
LUMEN OUTPUT	5900	5850	4850	5050
WATTAGE	47.5	47.5	35	35
EFFICACY	124	123	135	140

4-Foot	DW-DW	WW-DW	DW-BW	WW-BW
LUMEN OUTPUT	11800	11700	9700	10100
WATTAGE	95	95	70	70
EFFICACY	124	123	135	140

3-Foot	DW-DW	WW-DW	DW-BW	WW-BW
LUMEN OUTPUT	8850	8775	7275	7575
WATTAGE	71.25	71.25	52	52
EFFICACY	124	123	135	140

8-Foot	DW-DW	WW-DW	DW-BW	WW-BW
LUMEN OUTPUT	23600	23400	19400	20200
WATTAGE	190	190	140	140
EFFICACY	124	123	135	140

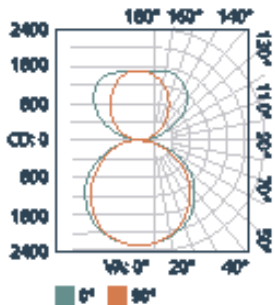
		Multipliers		
		Uplight		
Downlight	HO	100%	88%	81%
	MO	84%	80%	70%
	LO	74%	63%	60%

CCT	Multipliers
4000K	100.0%
3500K	98.6%
3000K	96.1%
2700K	93.5%

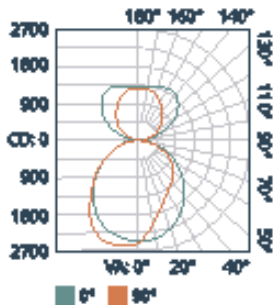
*Values based on 4000K at the maximum lumen output selected. All Values are Nominal, based on 2950 lm/ft.

4-FT PHOTOMETRY (Based on 4000K at the maximum lumen output selected)

ISOCANDELA PLOT SAMPLES DW-DW 4000K



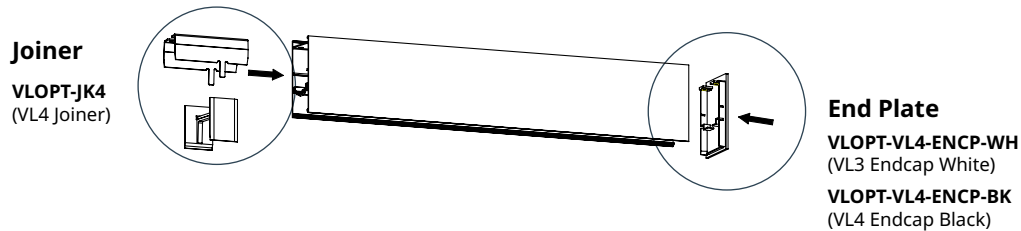
ISOCANDELA PLOT SAMPLES WW-DW 4000K



8-FT (multiply by 2)
2-FT (multiply by .5)
3-FT (multiply by .75)

[Download IES FILES](#)

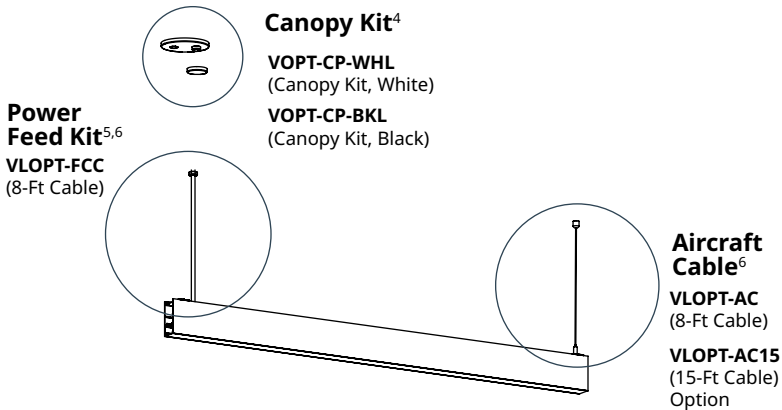
INSTALLATION COMPONENTS¹



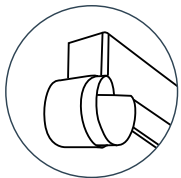
ACCESSORIES

Mounting Kits^{1,2}

SUSPENDED MOUNTING³



Lensing Options



VLOPT-LEND1

Continuous Lens, 48' – field cuttable; suggested for all runs where 2 or more straight fixture sections are joined.

Note: Rolled Lens (VLOPT-LEND4) only available with Diffuse White (DW) for Direct side of fixture.

WW

Wall Wash

BW

Assymetrical Bat Wing

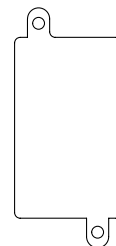
Note: Wall wash and bat wing lenses available in 2', 3', 4', and 8' lengths only

Tamper-Proof Switch Cover

(Included with non field adjustable options only)

VLOPT-SWCP-WH
(White Cover)

VLOPT-SWCP-BK
(Black Cover)



- Notes:**
1. See chart on page 6 for what is included with each length.
 2. Limited mounting hardware provided. Person installing may want to use their own additional mounting screws, hangers, clips, etc.
 3. Suspension hardware provided to support at every 12' feet, and no more than 10' can be suspended without support. Mounting points can be adjusted and set on site throughout entire length of run.

4. Canopy includes both large and small size
5. 2 Power Feed Kits Needed for Selective Switching
6. Default cable is 8'. Longer aircraft and power feeds available.

RUN CONFIGURATION

Linear Run (Feet)	FIXTURE LENGTHS AND QTY								Total # Fixtures	REQUIRED PARTS		SUSPENDED MOUNT	
	Recommended Configuration (Using 2', 3', 4', and 8' Lengths)									End Caps	Joiners	Power Feed	Aircraft Cable
2	2								1	2	0	1	2
3	3								1	2	0	1	2
4	4								1	2	0	1	2
5	2	3							2	2	1	1	2
6	3	3							2	2	1	1	2
7	3	4							2	2	1	1	2
8	8								1	2	0	1	2
9	3	3	3						3	2	2	1	2
10	4	2	4						3	2	2	1	2
11	8	3							2	2	1	1	2
12	8	4							2	2	1	1	2
13	8	3	2						3	2	2	1	3
14	8	3	3						3	2	2	1	3
15	8	3	4						3	2	2	1	3
16	8	8							2	2	1	1	3
17	8	4	3	2					4	2	3	1	3
18	8	2	8						3	2	2	1	3
19	8	8	3						3	2	2	1	3
20	8	8	4						3	2	2	1	3
21	8	8	2	3					4	2	3	1	3
22	8	3	3	8					4	2	3	1	3
23	8	8	3	4					4	2	3	1	3
24	8	8	8						3	2	2	1	3
25	8	8	3	3	3				5	2	4	1	4
26	8	8	8	2					4	2	3	1	4
27	8	8	8	3					4	2	3	1	4
28	8	8	8	4					4	2	3	1	4
29	8	8	8	3	2				5	2	4	1	4
30	8	8	8	3	3				5	2	4	1	4
31	8	8	8	4	3				5	2	4	1	4
32	8	8	8	8					4	2	3	1	4
33	8	8	8	3	3	3			6	2	5	1	4
34	8	8	8	8	2				5	2	4	1	4
35	8	8	8	8	3				5	2	4	1	4
36	8	8	8	8	4				5	2	4	1	4
37	8	8	8	8	2	3			6	2	5	1	5
38	8	8	8	8	3	3			6	2	5	1	5
39	8	8	8	8	4	3			6	2	5	1	5
40	8	8	8	8	8				5	2	4	1	5
41	8	8	8	8	3	3	3		7	2	6	1	5
42	8	8	8	8	8	2			6	2	5	1	5
43	8	8	8	8	8	3			6	2	5	1	5
44	8	8	8	8	8	4			6	2	5	1	5
45	8	8	8	8	4	3	3	3	8	2	7	1	5
46	8	8	8	8	8	3	3		7	2	6	1	5
47	8	8	8	8	8	4	3		7	2	6	1	5
48	8	8	8	8	8	8			6	2	5	1	6

Note: Customized configurations also available. Contact (847) 821-6550 for more information.