

DATE:	PROJECT:
TYPE:	NOTES:
CATALOG #:	

VFLL | VERSAFLOOD LARGE

7-PIN RECEPTACLE & SHORTING CAP
3 Lumen Boost® | 3 CCT Color Preference®

KEY FEATURES

ETI SSL's high-lumen VersaFlood luminaires add versatility and convenience to outdoor projects. With field selectable lumens and CCTs: 3 Lumen Boost X 3 CCT X 2 mounting options included; It's like getting 18 lights in one!

CCT & Light Quality

- 3 Selectable CCTs (3000K, 4000K, 5000K)
- 80+ CRI

Light Output & Efficacy

- 3 Lumen Packages and 3 Lumen Boost Levels:
Lumen Package 1: 16000 – 32000 lm
Lumen Package 2: 24000 – 39000 lm
Lumen Package 3: 39000 – 50000 lm
- Efficacy: Up to 171 LPW

Dimming, Voltage, Controls

- 0–10V dimming to 10%
- Universal voltage (120-277V) is standard
- 7-Pin Receptacle with Shorting Cap

SPECIFICATIONS

Construction

- Corrosion resistant, rugged die-cast aluminum housing with bronze powder coat paint finish
- Integrated heat sink maximizes product life and performance
- Sealed housing provides protection—wet location IP65

Optics

- NEMA 7Hx6V distribution
- 3 Selectable Lumen Packages from 32000 to 50000 Lumens at highest wattage
- High impact UV stabilized acrylic outer lens protects LEDs and allows for easy cleaning and debris removal

Electrical, Operating Temp.

- Universal 120-277 VAC input voltage, 50/60Hz
- Both drivers have a power factor >90%, THD <20%
- Operating Temperature Range: -40° C (-40° F) / 45° C (113° F)

Warranty

- Five-year limited warranty

KEY DATA	
Delivered Lumen Range	16281 – 50475
Wattage Range	100.8 – 341.1
Efficacy Range (LPW)	120 – 152
Reported Life (Hours)	L70 / > 50,000



Lumen Pkg.
Sizes 1 & 2

Lumen Pkg.
Size 3

Two Mounting Options Included:



Pre-Installed Slipfit
Knuckle Mount

Trunnion
Mount



Certifications & Test Data

- UL/cUL listed and built for wet location
- IP65 Rated
- DesignLights Consortium™ Qualified and classified for DLC Standard (all lumen packages), refer to www.designlights.org for details
- Estimated > 60,000 hours LED lifespan based on IES LM-70 results and TM-21 calculations



VersaFlood Large LED Flood WITH 7-PIN RECEPTACLE & SHORTING CAP | 3 LUMEN BOOST® | 3 CCT COLOR PREFERENCE®

ORDERING GUIDE

VFL	LB3	CP3	MV	LVD	MM	7PR	
Series	Lumens (Lumen Package) ¹	Lumen Boost	CCT	Voltage	Dim.	Mounting	Controls
VFL VersaFlood Large	1 16000 – 32000 lm 2 24000 – 39000 lm 3 39000 – 50000 lm	LB3 3 Lumen Boost® Lumen Pkg #1: 100 150 205W Lumen Pkg #2: 150 200 255W Lumen Pkg #3: 250 290 330W	CP3 3 CCT Color Preference® 3/4/5000K	MV Multi-Volt 120-277V	LVD Low Voltage Dimming 0-10V	MM Multi-Mount (knuckle & trunnion mount in carton)	7PR 7-Pin Receptacle w/ Shorting Cap

Notes: 1. Lumen package gives nominal range. See below for delivered lumen data.

STOCK ORDERING INFORMATION

Catalog Part Number	Order Number	Description	CRI	CCT (CP3)	Wattage Level	Delivered Lumens ¹	LPW	Volt.	Dim	Bug Rating			DLC ²	
										B	U	G		
VFL-1-LB3-CP3-MV-LVD-MM-7PR	60223101	VersaFlood, Large, Lumen Pkg 1	70+	3000K	205	29427	139	120-277V	0-10V	5	0	3	Premium	
					150	22898	147							
					100	16281	156							
					4000K	205	31533							159
						150	24492							165
						100	17216							171
					5000K	205	30259							143
						150	23995							154
						100	17179							164
VFL-2-LB3-CP3-MV-LVD-MM-7PR	60223201	VersaFlood, Large, Lumen Pkg 2	70+	3000K	255	35369	140	120-277V	0-10V	5	0	2	Premium	
					200	29542	146							
					150	23665	154							
				4000K	255	38492	160							
					200	31799	165							
					150	25066	170							
				5000K	255	37986	149							
					200	31293	154							
					150	24839	162							
VFL-3-LB3-CP3-MV-LVD-MM-7PR	60224101	VersaFlood, Large, Lumen Pkg 3	70+	3000K	330	45984	135	120-277V	0-10V	5	0	3	Premium	
					290	41870	138							
					250	37374	142							
				4000K	330	50475	156							
					290	45578	158							
					250	40139	161							
				5000K	330	49829	146							
					290	44484	145							
					250	39301	147							

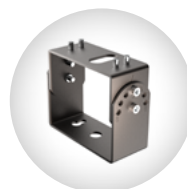
Notes: 1. For more delivered lumens, download ies files from ETISSL.com
2. DLC search by catalog part number

INCLUDED MOUNTING OPTIONS

M
MultiMount



Pre-Installed Slipfit Knuckle Mount



Trunnion Mount



ETI Lighting
4873 Thurmon Tanner Parkway,
Flowery Branch, GA 30542

855.384.7754 | www.etissl.com
Quotes: quotes@etissl.com
Orders: etiorsers@etissl.com

All specifications are subject to change without notice.
All reported values are typical values, measured under laboratory conditions @ 25°C (77°F).
Actual performance can vary slightly as a result of end-user application & environment.

VersaFlood Large LED Flood WITH 7-PIN RECEPTACLE & SHORTING CAP | 3 LUMEN BOOST® | 3 CCT COLOR PREFERENCE®

ACCESSORIES (Order Separately, Field Install)

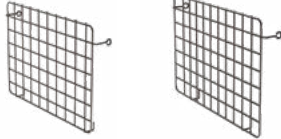
Catalog Part Number	Order Number	Description	Notes
7PR-PC	70218101	7 Pin Receptacle Photocell	For standard (120-277V) items
VFLL-WG-SM	70541101	VersaFlood Large Wire Guard Size 1 and 2	For VFLL-1-LB3-CP3-MV-LVD-MM-7PR or VFLL-2-LB3-CP3-MV-LVD-MM-7PR
VFLL-WG-LG	70542101	VersaFlood Large Wire Guard Size 3	For VFLL-3-LB3-CP3-MV-LVD-MM-7PR

7 Pin Receptacle Photocell



7-Pin
Receptacle
Photocell
7PR-PC

Wire Guards

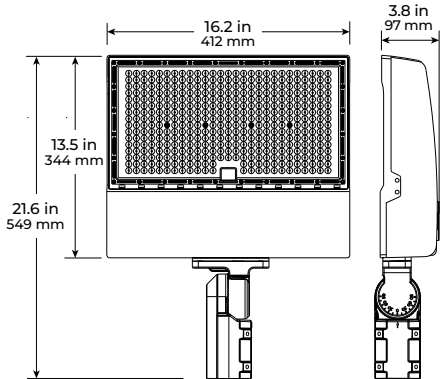


Wire Guard
Size 1 and 2
VFLL-WG-SM

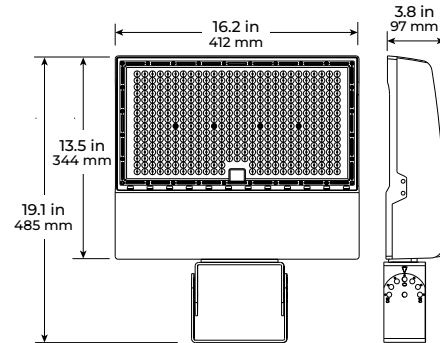
Wire Guard
Size 3
VFLL-WG-LG

DIMENSIONS / DETAILS

Large (Lumen Package Sizes 3)

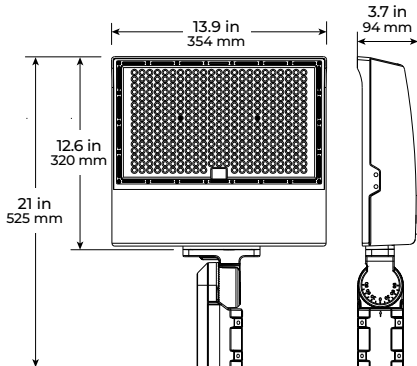


Knuckle Mount (Included)
Unit Weight
17.6 lbs.

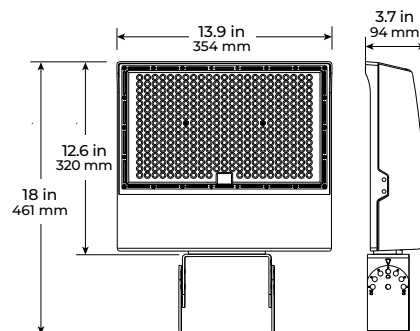


Trunnion Mount (Included)
Unit Weight
16.5 lbs.

Medium (Lumen Package Sizes 1 & 2)



Knuckle Mount (Included)
Unit Weight
14.8 lbs.



Trunnion Mount (Included)
Unit Weight
13.7 lbs.

VersaFlood Large LED Flood WITH 7-PIN RECEPTACLE & SHORTING CAP | 3 LUMEN BOOST® | 3 CCT COLOR PREFERENCE®

PERFORMANCE / Data


Lumen Maintenance

Ambient Temp.	TM-21 Lumen Maintenance (54,000 hours)
25° C (77° F)	89.37%
Ambient Temp.	TM-21 Theoretical L70 (hours)
25° C (77° F)	> 60,000

Load Information

Power Factor	≥0.9
THD	≤20%
Frequency	50/60 Hz
Operating Humidity	20% - 90% RH
Low Temp Start / Max Temp	-40° C (-40° F) / 45° C (113° F)

EPA / DISTRIBUTION

Item	EPA		Distribution
	1 unit		
VFLL-1	1.4 ft ²	7HX6V	
VFLL-2	1.4 ft ²	7HX6V	
VFLL-3	1.7 ft ²	7HX6V	

DISTRIBUTION

